

IMPORTANT NOTICE

THIS TECHNICAL MANUAL IS SUPPLIED
WITH DOCUMENTATION CARD READER SERIAL
NUMBER 7308324

THIS MANUAL SHOULD REMAIN WITH THAT
CARD READER.

Technical Manual Change Record

This Technical Manual has been updated to reflect Customer Specifications. Minor changes to text or schematics are marked on the pages affected. Major changes to text or schematics are corrected by direct replacement of pages affected, or are contained in an Addendum.

Customer: DIGITAL EQUIPMENT CORP. 7-2-73
 Model: M200 Voltage 115 Frequency 60
 Options: N/A CS No.: 23
 Addendums: RECOMMENDED FIELD SPARES
 Text Changes: D-139
 Schematic Changes: 0

<u>Title</u>	<u>Drawing No. or Modification</u>
Wiring Diagram, AC Power Distribution, 115 VAC, 60 Hz	_____
Wiring Diagram, AC Power Distribution, 230 VAC, 50 Hz	_____
Card Cage, P. C. Card Location	_____
Wiring Diagram, Card Cage	<u>1140874</u>
Wiring Diagram, Control Panel	_____
5V Power Supply, 115 VAC, 60 Hz	_____
5V Power Supply, 230 VAC, 50 Hz	_____
Solenoid Driver, 115 VAC, 60 Hz	_____
Solenoid Driver, 230 VAC, 50 Hz	_____
Clock Card Assembly	_____
Schematic, (sheet 1 of 3)	_____
Schematic, (sheet 2 of 3)	_____
Schematic, (sheet 3 of 3)	_____
Error Card Assembly	_____
Schematic, (sheet 1 of 2)	_____
Schematic, (sheet 2 of 2)	_____
Sync Card Assembly	_____
Schematic, (sheet 1 of 3)	_____
Schematic, (sheet 2 of 3)	_____
Schematic, (sheet 3 of 3)	_____
Control Card Assembly	_____
Schematic, (sheet 1 of 2)	_____
Schematic, (sheet 2 of 2)	_____

Special Cards:

_____	_____
_____	_____
_____	_____
_____	_____

Doc. No. M2003

Verified John Foster

TABLE OF CONTENTS

<u>Title</u>	<u>Page No.</u>
Introduction	1
General	1
Specifications	3
Operation	4
General	4
Initial Setup	4
Loading the Input Hopper	4
Unloading Stacker	6
Switches and Indicators	6
Rear Panel Switches	7
Operational Flow Chart	8
Theory of Operation	9
Card Track	9
Data Recovery	9
Oscillator/Four-Phase Clock Logic	14
Pick Control Logic	14
Sync Control Logic	17
Preset Counter Logic	17
Offset Count/Storage Register	21
Comparator Logic	21
Wide-Strobe Control Logic	23
Character Buffer/Output Logic	23
Column Counter Control Logic	26
Control Logic	26
Motion Check Logic	29
Lamp Drivers	29
Interface	30
General	30
Timing	30
Connectors	33
Signal Characteristics	35
Grounding	35

TABLE OF CONTENTS

Continued

<u>Title</u>	<u>Page No.</u>
Preventive Maintenance	36
General	36
Cleaning	36
Lubrication	38
Repair	39
General	39
Repair Procedures Table of Contents	39
Required Tools	39
Replacement of Hopper Empty Switch	41
Adjustment of Picker Sector Travel	41
Adjustment of Tension on Main Drive Motor Belt	41
Adjustment of Stacker Tray Spring	44
Stacker Shaft Support-Bearing Replacement	44
Replacement of Belt on Vacuum Pump Motor Assembly	46
Replacement of Main Drive Motor Belt	49
Replacement and Adjustment of Magnetic Pickup	52
Replacement of Solenoid	52
Replacement of Roller Bearings, Read Head or Light Station	55
To Replace Roller Assembly Bearings	57
To Replace Read Head	58
To Replace Light Station	58
Replacement of Picker	60
Replacement of Stacker Full Switch	61
Replacement of Stacker Photocell	61
Electrical Drawings	Appendix A
Parts List	Appendix B
Signal Mnemonics and Abbreviations	Appendix C

LIST OF ILLUSTRATIONS

<u>Figure No.</u>	<u>Title</u>	<u>Page No.</u>
1	Three-Quarter Front View	2
2	Three-Quarter Rear View	2
3	Switch Location	5
4	Operational Flow Chart	8
5	M Series Card Reader Logic Block Diagram	10
6	Timing Relationship for Standard Punched Card	12
7	Oscillator/Four-Phase Clock Logic Block Diagram	15
8	Pick Control Logic Block Diagram	16
9	Sync Control Logic Block and Timing Diagram (Sheet 1 of 2)	18
9	Sync Control Logic Block and Timing Diagram (Sheet 2 of 2)	19
10	Preset Counter Logic Block Diagram	20
11	Comparator Logic Block Diagram	22
12	Wide-Strobe Control Logic Block Diagram	24
13	Character Buffer Storage Logic Block Diagram	25
14	Column Counter Control Logic Block Diagram	27
15	Control Logic Block and Timing Diagram	28
16	Standard Interface Timing for M Series Readers	31
17	Circuit Characteristics	35
18	Removal of Fan Screen	37
19	Solenoid Lubrication	38
20	Three-Quarter Front View	42
21	Three-Quarter Rear View	42
22	Partial Front View, Cover Removed	43
23	Picker Sector Adjustment	43
24	Partial Front View, Stacker Spring	45
25	Rear View, Cover Removed	47
26	Rear View, Cover and Rear Connector Panel Removed	47
27	Front View, Main Wiring Connections	48
28	Front View, Main Mounting Plate Removal	48
29	Vacuum Pump Belt Adjustment	50
30	Bottom View, Main Mounting Plate	50
31	Timing Disc Air-gap Adjustment	51
32	Stacker Casting Removal and Bearing Replacement	53
33	Solenoid Replacement and Adjustment	54

LIST OF ILLUSTRATIONS
Continued

<u>Figure No.</u>	<u>Title</u>	<u>Page No.</u>
34	Top View Casting Assemblies	56
35	Bottom View Main Drive Motor Assembly	56
36	Top View Stacker Casting Assembly	59
37	Stacker Panel Removal	59
38	Stacker Full Switch Replacement	62
39	Main Frame Component Location	63

INTRODUCTION

GENERAL

This manual provides operational, interface and maintenance information for the M 200 Punched Card Reader manufactured by Documation Incorporated, 841 East New Haven Avenue, Melbourne, Florida 32901. The manual is sectionalized to cover operational instructions, theory of operation, interface details, preventive maintenance, and repair. The appendix includes electrical schematics and wiring details.

The M 200 Card Reader shown in figures 1 and 2, is designed to read standard EIA 12-row, 80 column punched cards. The hopper capacity is adequate to hold approximately 550 cards of .007" thickness. These are separated from the stack sequentially and moved past a phototransistor read station where the data is recognized in a serial, column-by-column manner. The cards are then stacked into the output hopper in the same order as they were originally put into the reader. The reading cycle is externally controlled for single card selection or continuous run. In the continuous mode, the reader will read 300 cards per minute.

The M Series card readers are specifically designed for continuous duty operation in adverse operational environments. The chassis is of heavy duty construction and all components have been chosen to provide for rugged, reliable performance. The vacuum-type picker has a remarkable tolerance to mutilated, warped, and edge-damaged cards. The short card track and gentle acceleration forces of the card handling mechanism yield insignificant wear so that card decks routinely last in excess of 1000 passes.

The information contained in this manual is accurate and complete as of the date of publication. Documation will continue to improve both its products and the effectiveness of its documentation. Comments and suggestions as to how this manual may be improved are solicited. Address comments to:

Engineering Writer
Documation, Incorporated
Post Office Box 1240
Melbourne, Florida 32901
(305) 724-1111

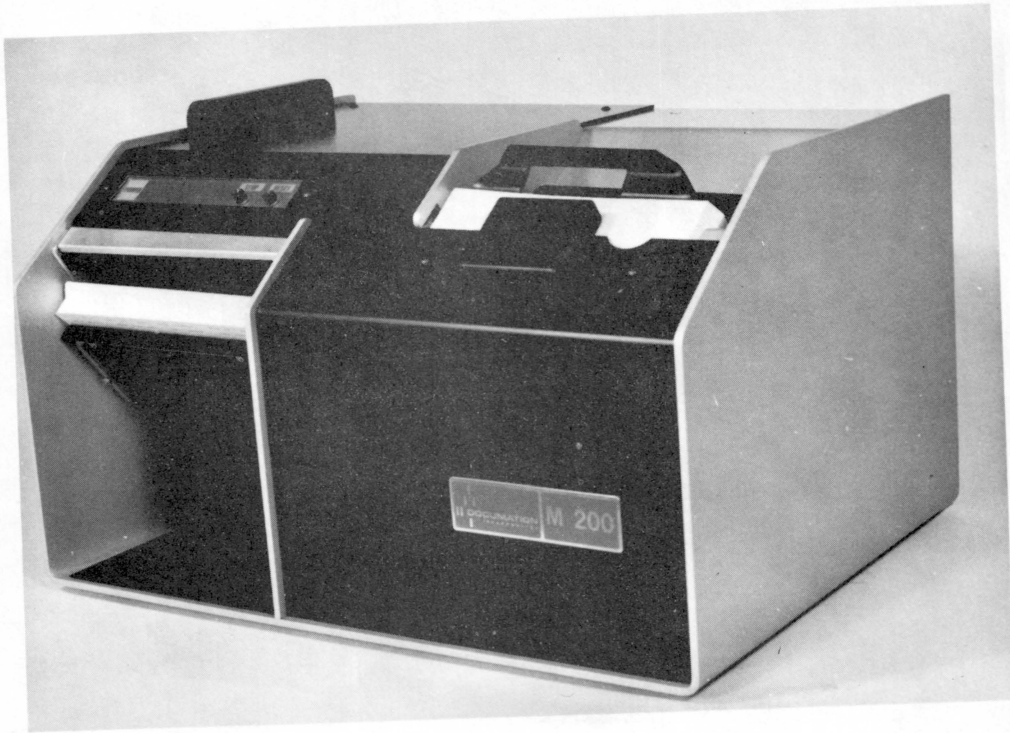


Figure 1. Three-Quarter Front View



Figure 2. Three-Quarter Rear View

M 200 SUMMARY SPECIFICATIONS

Reading Speed: 300 cards per minute maximum in continuous run.
Single Card Cycle: 200 milliseconds.

Card Type: Standard 80 column EIA card.

Control: Demand feed, one card-at-a-time under external program control. Reader will continuous run as long as the Pick Command remains TRUE.

Hopper Size: 4.0 inches (approximately 550 cards of 7 mill thickness).

Stacker Size: 4.0 inches (approximately 550 cards of 7 mill thickness).

Power Requirements:

Voltage: 115 VAC $\pm 15V$, single phase, @ 60 hz (standard model)
230 VAC $\pm 30V$, single phase, @ 50 hz (export model)

Power: 950 VA starting load for 3 sec
400 VA running load

Size:

Height: 11 inches 27.9 cm

Width: 19 $\frac{1}{4}$ inches 48.9 cm

Depth: 14 inches 35.5 cm

Weight: 60 lbs. 27.3 kg

OPERATION

GENERAL

The following paragraphs provide description and instructions for normal operation of the M Series Card Readers. All operator controls and indicators are described with turn-on/shut-down instructions included. Refer to figure 3 for the location of switches and indicators mentioned in the following description.

INITIAL SET-UP

1. Upon receipt of a new reader from the manufacturer, the two red 8-32 screws in the bottom plate must be removed. These lock the blower motor plate for shipment to prevent damage to the motor plate vibration isolators. If the reader is to be reshipped, these screws should be retained and reinserted prior to packing.

2. Plug in the AC power cord. Notice that this is a clockwise twist-lock connector.

3. Set the MODE switch (rear panel) in LOCAL.

4. Set the SHUTDOWN switch (rear panel) in AUTO.

5. Switch the CIRCUIT BREAKER (power switch) to energize the reader (motors will not come on at this time).

6. Press the LAMP TEST switch and observe that all front panel indicators illuminate.

7. Load a deck of cards into the input hopper.

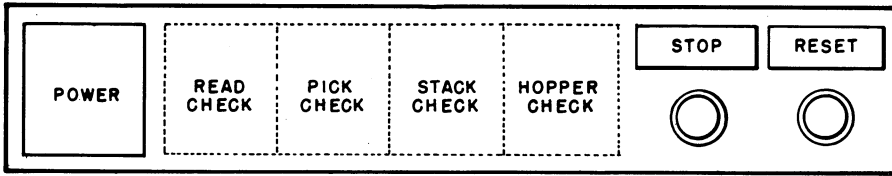
8. Press the RESET switch. The motors should come on after a short delay (approx. 3 seconds) and the cards should be picked and stacked. When the input hopper is empty, the motors should shutdown and the HOPPER CHECK light illuminate.

9. This completes the initial off-line operational test.

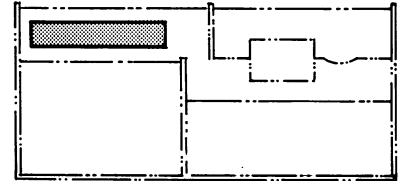
LOADING THE INPUT HOPPER

Loading the input hopper with punched cards to be read is performed as follows:

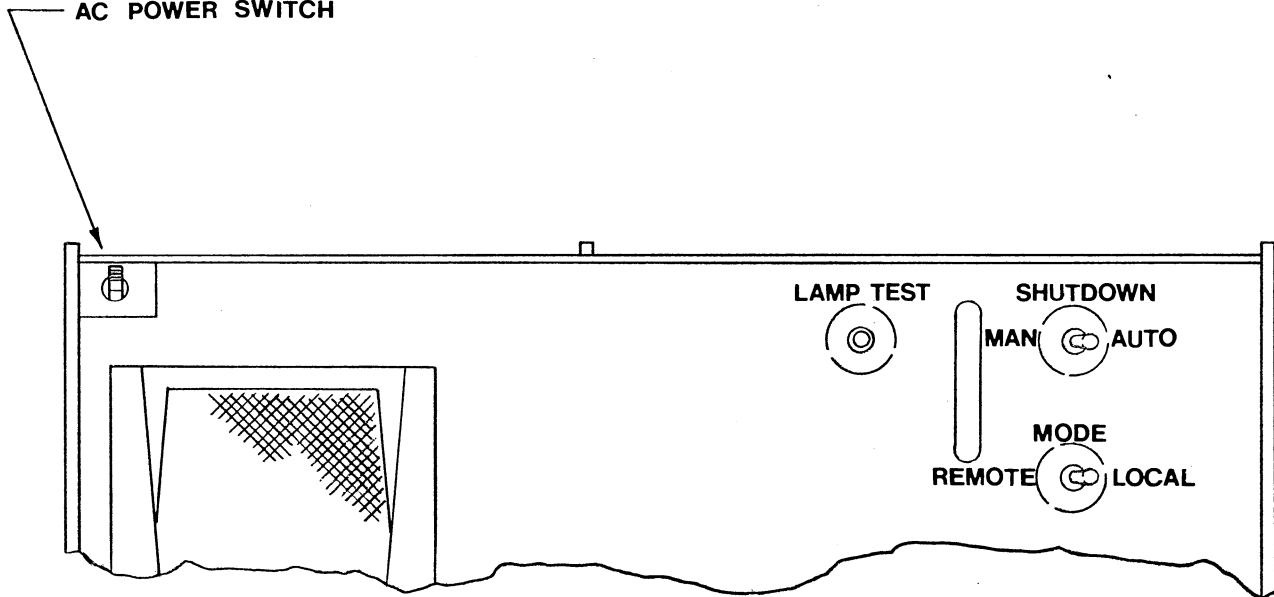
1. Pull the hopper follower back with one hand and load the card deck into the hopper area; the first card to be read must be placed at the front with the "9" edge down, column 1 to the left. Continue placing cards into the input hopper until it is loosely filled (approximately 550 cards).



FRONT CONTROL PANEL



AC POWER SWITCH



REAR PANEL

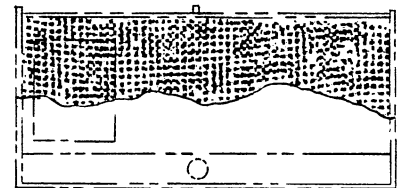


Figure 3. Switch Location

CAUTION

DO NOT PACK THE INPUT HOPPER SO FULL
THAT THE RIFFLE ACTION IS INHIBITED

2. The hopper may be loaded while cards are being read if the operator is careful to keep tension on the front portion of the deck while loading additional cards at the rear. This is best done with the input hopper approximately $\frac{1}{2}$ to $\frac{1}{3}$ full. Use just enough pressure to maintain the riffle action.

3. Unloading the input hopper is the reverse of the loading procedure. Normally all cards are processed through the reader; however, if it is necessary to unload the hopper, push the follower down and remove the card deck. If the cards are arranged in a particular order, exercise care in repacking them in their storage container so that the order is maintained.

UNLOADING STACKER

To unload the stacker, perform the following steps:

1. Pull stacker follower back with one hand and remove the front or rear portion of the card deck from the stacker area, being careful that deck order is maintained.

2. The stacker may be unloaded while cards are being read.

SWITCHES AND INDICATORS

POWER (toggle circuit breaker and indicator)

All power to the card reader is controlled by this circuit breaker. Since the indicator is supplied by the +5V power supply, it is illuminated only when power has been applied to the entire AC distribution system. Toggling the switch (indicator is illuminated) in down position removes the power from the card reader.

STOP (momentary-action pushbutton/indicator switch)

Actuation of the STOP switch immediately overrides the PICK COMMAND and lowers the READY line. The card reader will stop operation after the card currently in the track is read completely; power is not removed from the reader by this action. The red STOP indicator is illuminated as soon as the switch is depressed.

RESET (momentary-action pushbutton/indicator switch)

Actuation of the RESET switch clears all error flip-flops and initializes all counters. The reset action is initiated by the return stroke of the RESET switch. The green RESET indicator is the READY signal that also appears at the output connector. The card reader is then ready to accept a PICK COMMAND.

READ CHECK (indicator)

The READ CHECK alarm indicator denotes that the card just read may be torn on the leading or trailing edges or have punches in the 0 or 81st columns. The READ CHECK will cause the reader to stop. If it occurs on all cards, it is an indication of a fault in the read electronics.

STACK CHECK (indicator)

The STACK CHECK alarm indicator denotes that the previous card was not fully seated in the output hopper. Check the card track to make sure it is clear and check the stacker for a badly mutilated card.

PICK CHECK (indicator)

The PICK CHECK alarm indicator denotes that a card has failed to reach the read station after a PICK COMMAND has been received. Inspect the cards in the input hopper for excessive leading edge damage, torn webs, or cards stapled together. If so, remove the staple or straighten the card and reinsert.

If no apparent card damage is present, check for excessive card deck warpage (in excess of 1") and/or ink glaze buildup on the picker face. Clean the picker face with solvent.

HOPPER CHECK (indicator)

The HOPPER CHECK alarm indicator denotes that either the input hopper is empty or the stack hopper is full. This is a normal operational occurrence.

REAR PANEL SWITCHES

LAMP TEST (pushbutton switch)

Depressing the LAMP TEST switch illuminates all front-panel indicators to determine if an indicator lamp is inoperative.

MODE (toggle switch)

When placed in the LOCAL position, this switch disables the PICK COMMAND input to the card reader and allows the operator to run the reader off-line by depressing the RESET pushbutton switch on the front panel. When placed in the REMOTE position, this switch enables the PICK COMMAND input to the card reader, which places the reader on-line for normal remote control operation. Data and other output signals are present at all times.

SHUTDOWN (toggle switch)

When placed in the MANUAL position, this switch energizes the motors for continuous operation whether or not cards are in the input hopper. When placed in the AUTO position, this switch provides an automatic shutdown of the motors

when the input hopper is empty. The motors will automatically restart when cards are placed in the hopper and the RESET switch is depressed. Expect a delay of approximately 3 seconds for the motors to run up.

OPERATIONAL FLOW CHART

Figure 4 shows a flow chart of the sequence of events which may be encountered in operating the reader. If trouble is experienced, refer to this check list before calling for maintenance.

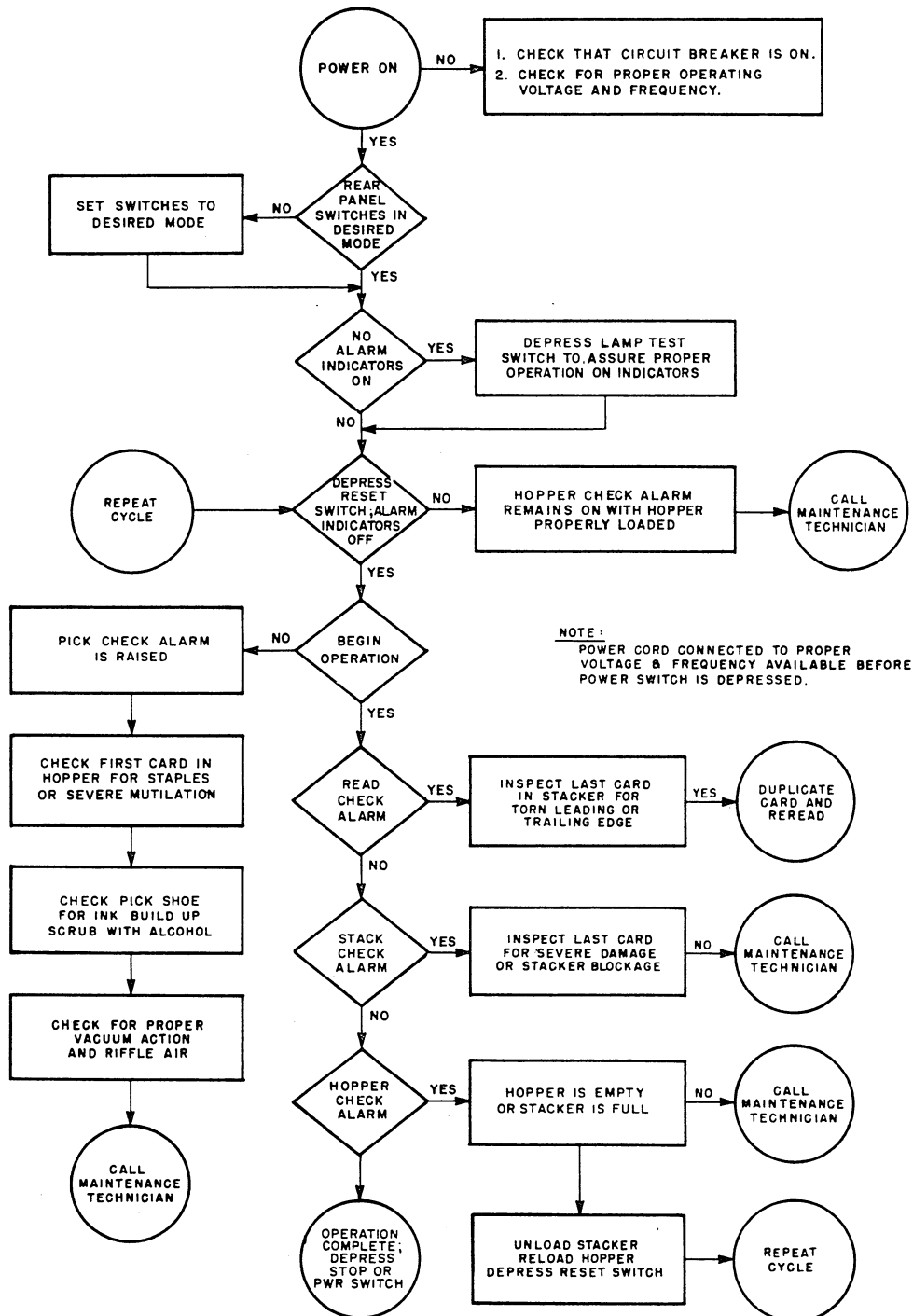


Figure 4. Operational Flow Chart

THEORY OF OPERATION

CARD TRACK

The Documentation card reader line is unique in several respects, in that card wear is insignificant and a card jam is virtually an impossibility. The card track is designed around a patented vacuum picker which works in conjunction with riffle air in the input hopper to produce a card reader which is very tolerant to damaged cards. This tolerance extends to cards which have been badly worn, edge nicked, warped, bent, folded or otherwise damaged as a result of rough handling.

The riffle air acts on the first half inch of cards in the input hopper so that they stand apart, individually "air cushioned" from the rest of the card deck and each other. This prevents the cards from sticking together in case of static electricity, hole locking, or torn webs. Should the cards have been subjected to high humidity conditions prior to being loaded into the card reader, the riffle air also minimizes the effect of swelling or frictional increases between the cards.

The picker mechanism utilizes a strong vacuum to grasp the bottom card, and upon command, draw it away from the bottom of the stack. The card is smoothly accelerated through the wide throat into the constant speed drive rollers. The design of the vacuum picker and its associated throat block prevent the unit from double picking so well that cards which are even stapled together will not enter the card track. Should cards which are stapled or taped together be inadvertently put in the input hopper, the card reader will stop, indicating a PICK CHECK. The operator can remove the staples, separate the cards, re-enter them in their proper position in the deck and resume reading.

The card track itself is very short so that at no time is more than one card in motion. The combination of damaged card tolerance, gentle card treatment and short card track have produced a card reader which is virtually jam proof. Card life has proven to be in excess of 1000 passes.

DATA RECOVERY

The logic block diagram for the M Series card reader is shown in figure 5. The description that follows applies to all Documentation M Series punched card readers since the reliable recovery of data from cards passing down the card track is accomplished in the same manner regardless of track velocity.

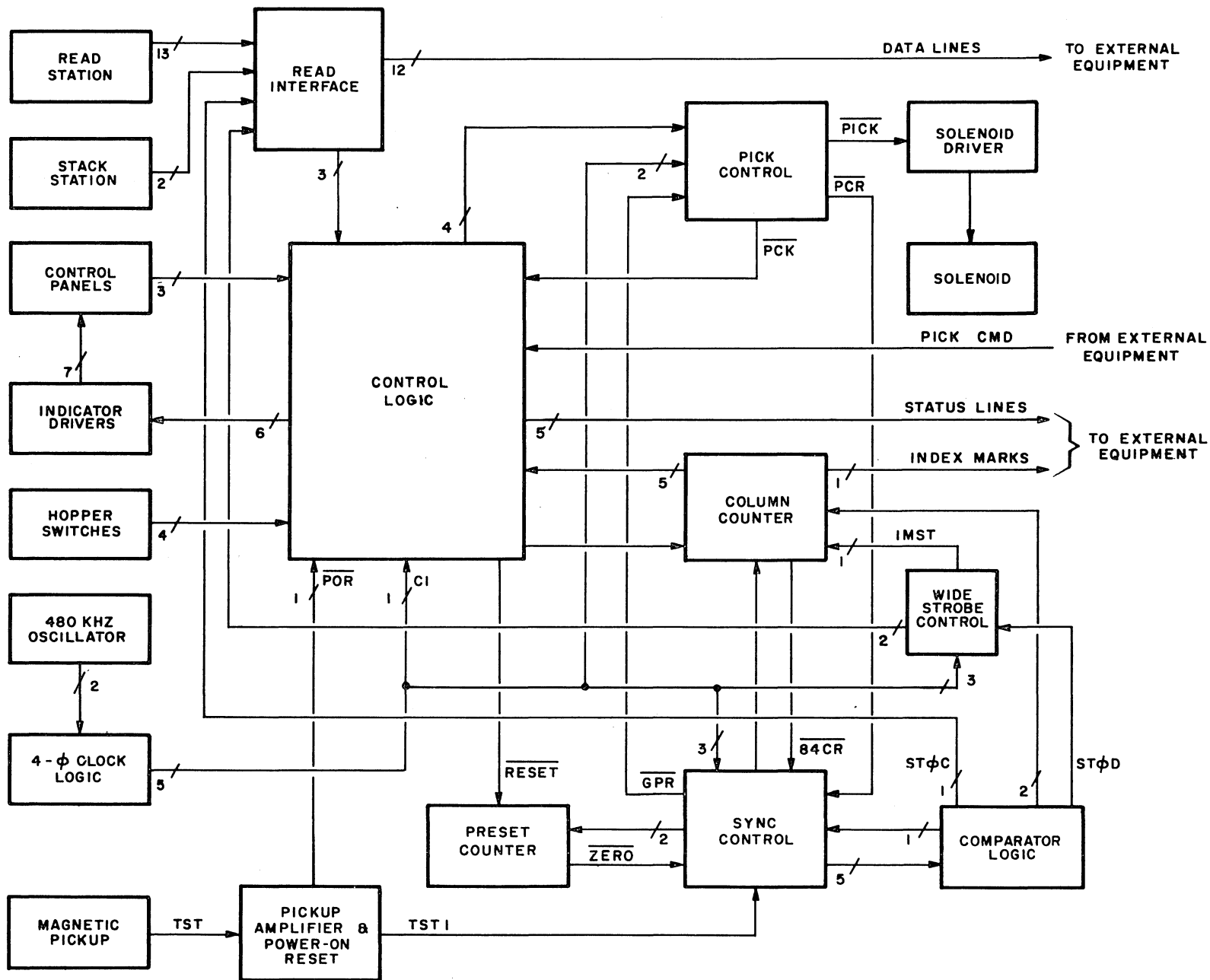


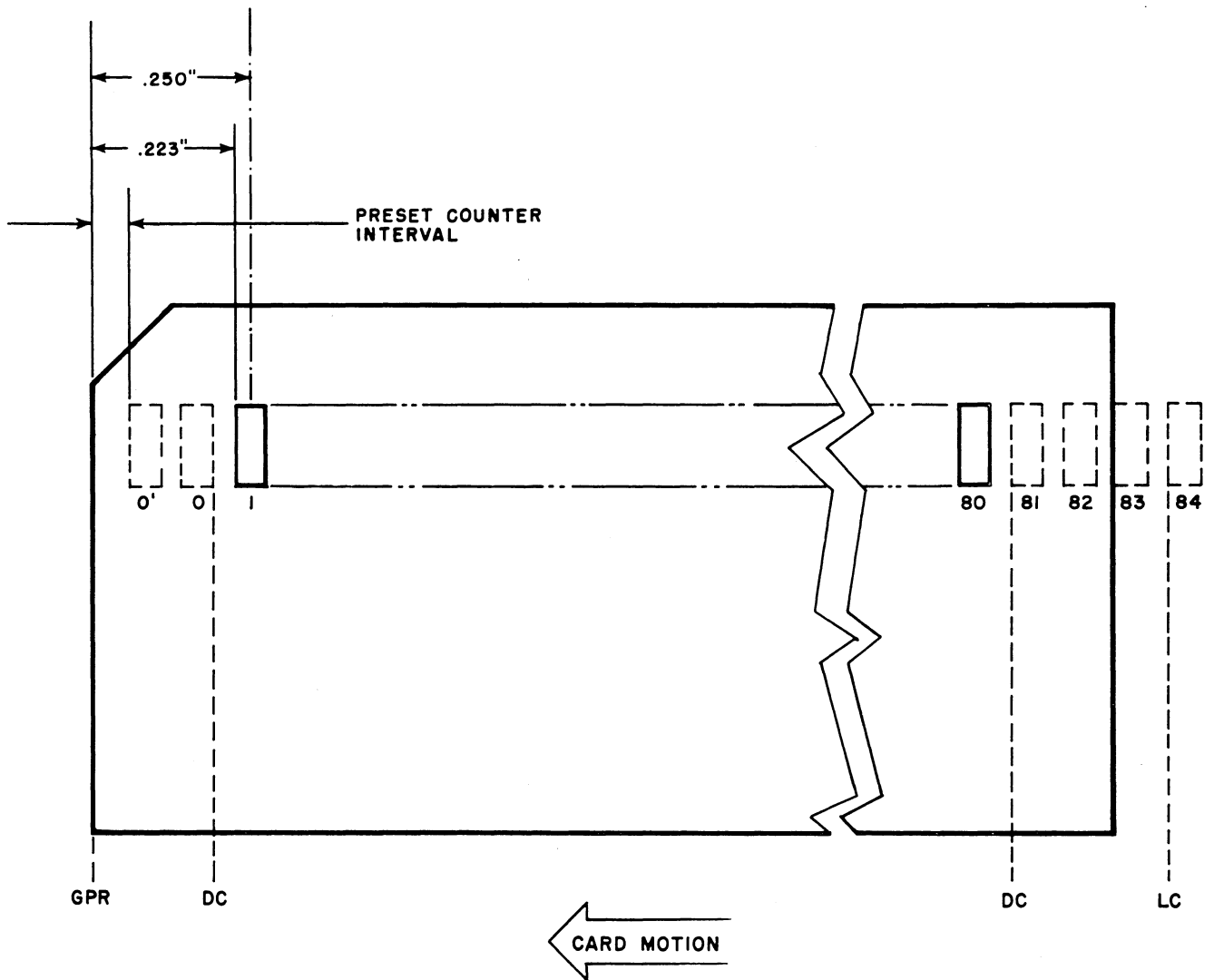
Figure 5. M Series Card Reader Logic Block Diagram

The heart of the card reader electronics is the control logic and sync control, where the internal logic timing and the movement of the card past the read station is synchronized to enable accurate sequential interpretation of the data on the card. Primary logic timing is established by the 480-KHz crystal oscillator and the associated four-phase clock logic, whose outputs are used to shift, store, and control other timing operations. Card movement speed is established by the hysteresis synchronous drive motor, belts and steel drive rollers. A timing disk consisting of a ferrous notched wheel is mounted on the drive roller shaft. Synchronization input to the logic is derived from the magnetic reluctance pickup associated with this timing disk. Sufficient resolution is provided such that two signals are produced by the pickup for each card data column as it is moved through the card track at the track speed of the particular M Series reader being used.

When a PICK COMMAND is received from the external program control, card processing will be started provided no alarm conditions exist with the card reader powered up. The Pick Control logic then produces a PICK signal to the Solenoid Driver, a PCLK signal to the control logic, and a pick-command reset (PCR) to the sync control. These actions initialize the various control circuits and energize the solenoid to pick a punched card from the input hopper. If a card does not reach the read station, the PICK CHECK alarm is raised.

The read station and stack station utilize phototransistor sensor arrays to both read the card hole pattern and to monitor card movement. When a card is picked and moved into the card track, the leading edge is detected by the first phototransistor in the read station to go dark. This produces a Good Pick Reset (GPR). As the card continues to move past the read station, the various control circuits are synchronized with the card movement to enable interpretation of the column data contained in the card hole patterns and to output this data at the same timing point for each of the 80 columns.

Since GPR is generated by the leading edge of the card, its occurrence is also utilized to start the synchronization process necessary for the precise generation of the data column strobes. At GPR, the Preset Counter is enabled to produce an interval equivalent to the time it takes the card to move 0.049 inches. The value of this preset interval is different for each reader model and is hard-wired into the counter. Its value establishes the time that should elapse from the detection of the leading edge of the card to the occurrence of the first possible data column 0' (see figure 6). The first two data holes



NOTES :

- (1) DASHED LINES INDICATE PSEUDO HOLES IN CARD.
- (2) DC = DARK CHECK
LC = LIGHT CHECK
GPR = GOOD PICK RESET
- (3) HOLE SIZE EXAGGERATED FOR EXPLANATION.

Figure 6. Timing Relationship for Standard Punched Card

are actually pseudo-columns, since by EIA standard, no data appears in the first 0.223 inches of the card.

When the Preset Counter ZERO signal is produced, indicating the end of the preset period and the start of card data columns, the Offset Count is set to synchronize the card reader logic to the signals from the magnetic pickup. This offset is the value of the count accrued during the time from the beginning of pseudo-column 0' to the second occurrence of a signal from the timing disk (TST). Refer to page 21, paragraph OFFSET COUNT/STORAGE REGISTER for the detailed discussion. Once established, this relationship will remain constant for the rest of the data columns on that card. Since two TST pulses are provided for each data column, every second TST pulse starts the Offset Counter in the comparator which counts until it matches the value of the Offset Storage. Thus, the offset value is determined and stored at the beginning of each card, then utilized to establish the same data-read point for each of the 80 data columns on that card. Since each offset comparison is derived from the timing disk signal (TST), the strobcs are hence precisely locked to the progress of the card past the read station. This synchronization is accomplished within the comparator logic, which produces the strobe signals. Figure 6 shows the basic punched card with its relation to GPR, pseudo holes, and data column holes.

The STØC signals from the comparator logic are counted by the Column Counter to produce the character-count strobcs, index-marker strobcs, and light/dark-check strobcs required for each card. The STØD is used to start the Wide-Strobe Control logic, which establishes the timing point for the index marker strobe (the spacing of the index markers will vary according to the speed of the model being used); the Wide-Strobe Control logic also produces the column data enables that are used to store data for each column into the storage registers in the interface logic. The index marks and the twelve data lines are then made available to the external equipment via the output/interface connector (J2).

This summarizes the function accomplished by the logic circuits supplied with each card reader. The following sections describe each operational block in more detail. The reader should familiarize himself with the various signal mnemonics used in the text description since it will aid in interpreting the detailed logic schematics contained in the appendix.

OSCILLATOR/FOUR-PHASE CLOCK LOGIC

A general block diagram and timing diagram of the Oscillator/Four-Phase Clock logic is shown in figure 7. The oscillator is a 480-KHz, crystal-controlled clock assembly manufactured by Motorola with TTL compatible outputs. The two-stage control register divides the oscillator output by four and provides phasing to the control gates. These gates are then strobed by the inverted clock signal to produce the four phases of output clock for internal timing as one-microsecond wide signals, shifted by approximately one microsecond from each other. The C1 clock is the inverted output of one flip-flop in the two-stage control register and is a symmetrical squarewave approximately 8.33 microseconds wide (120 KHz frequency).

PICK CONTROL LOGIC (Sync Card)

The function of the Pick Control logic (figure 8) is to:

1. Receive the clocked pick command ($\overline{\text{PCLK}}$) from the control logic
2. Generate the solenoid drive pulse ($\overline{\text{PICK}}$)
3. Wait out the interval while the card leading edge is accelerated to the read station (between 14 to 27 ms)
4. If the leading edge has not arrived in 50 ms, generate another solenoid drive pulse ($\overline{\text{PICK}}$)
5. Repeat the pick attempt six times and if the leading edge has not appeared, generate a pick fail alarm ($\overline{\text{PSET}}$).

When the external program PICK COMMAND is received after power-on reset (POR) has occurred and if no alarm condition exists (READY line raised), the control logic initiates the pick sequence by gating the C1 clock to produce $\overline{\text{PCLK}}$. The $\overline{\text{PCLK}}$ signal is counted by two decade counter stages and a six-stage binary counter in the Pick Control logic. Decode gates are provided to set and later reset a solenoid control FF generating a timed solenoid drive pulse ($\overline{\text{PICK}}$), which energizes the pick solenoid to move the bottom punched card into the card track.

If the card is not picked, the six-stage binary counter continues to receive the $\overline{\text{PCLK}}$ signal and after approximately 50 ms rolls over to begin another up-count. This recycles the solenoid control FF through its set/reset sequence and produces another pick attempt. Each solenoid drive signal is counted by a three stage binary counter and after six complete pick attempts, an alarm signal ($\overline{\text{PSET}}$) is generated to disable the pick control and indicate a PICK CHECK.

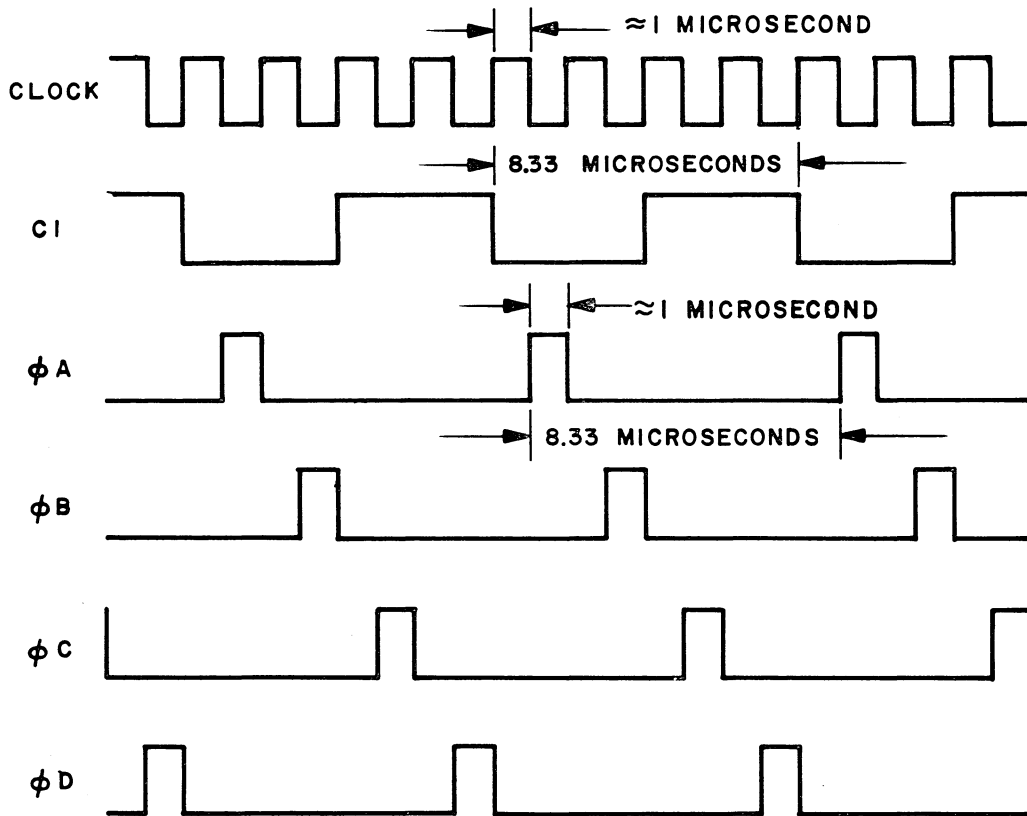
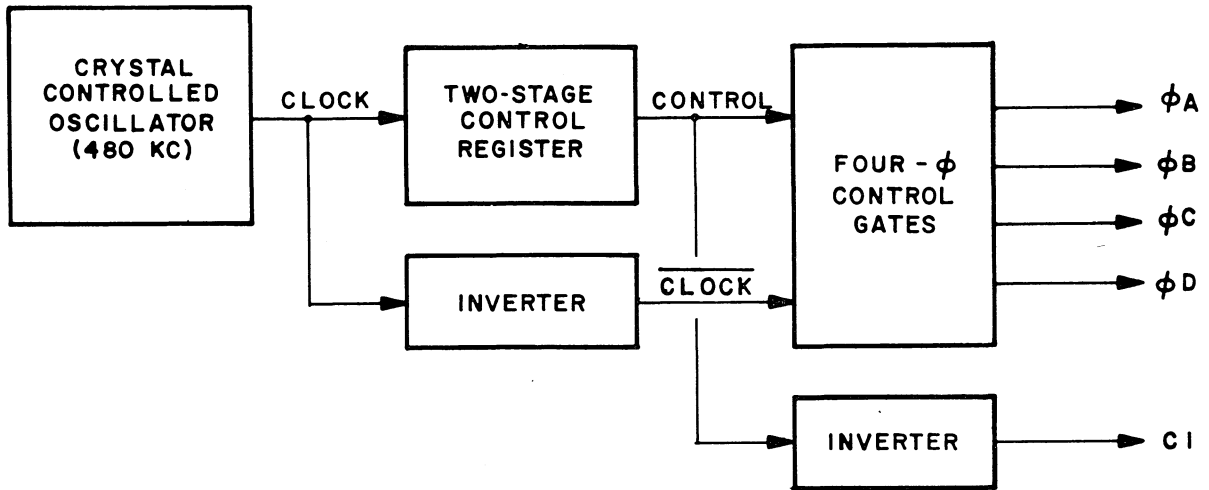
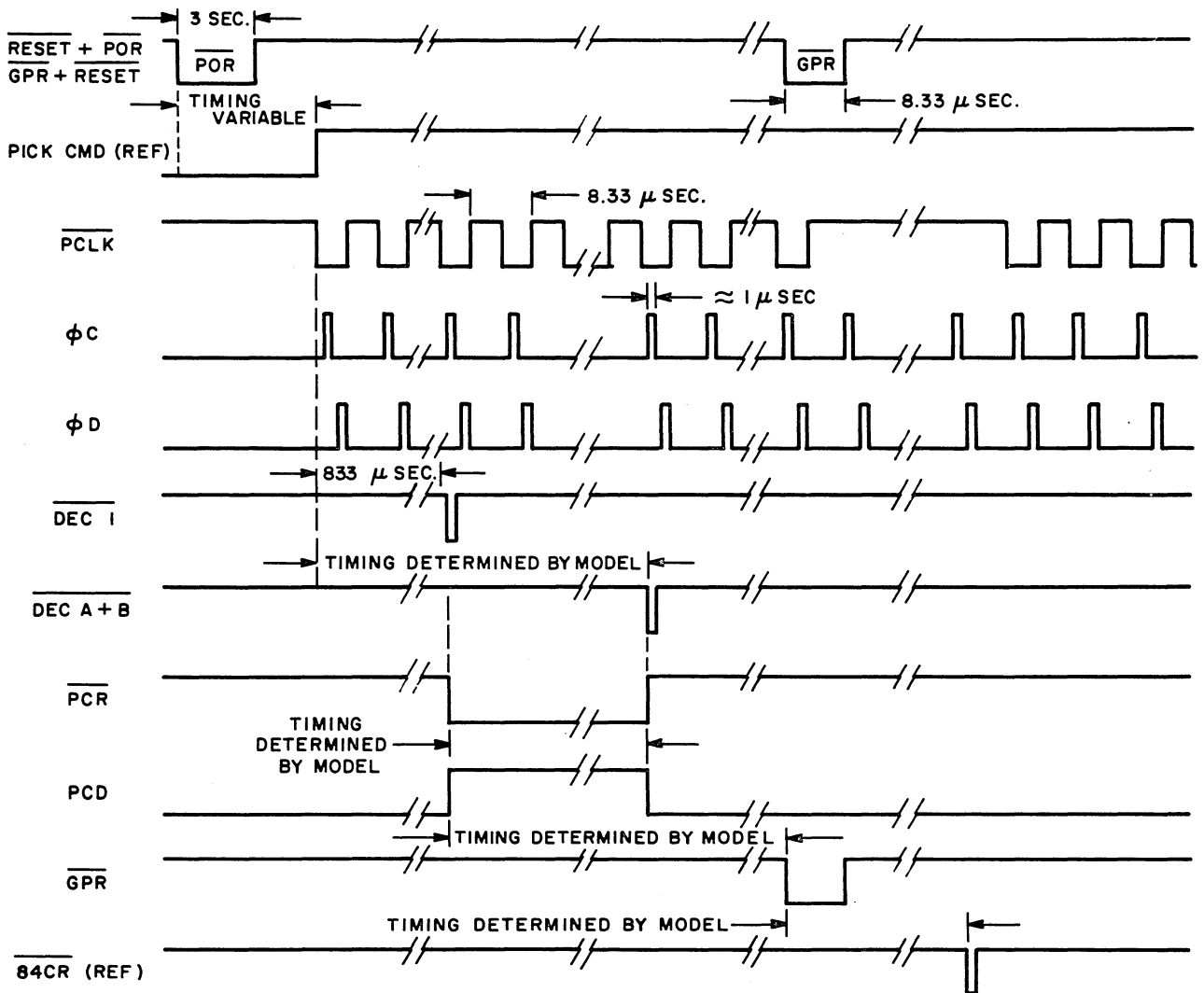
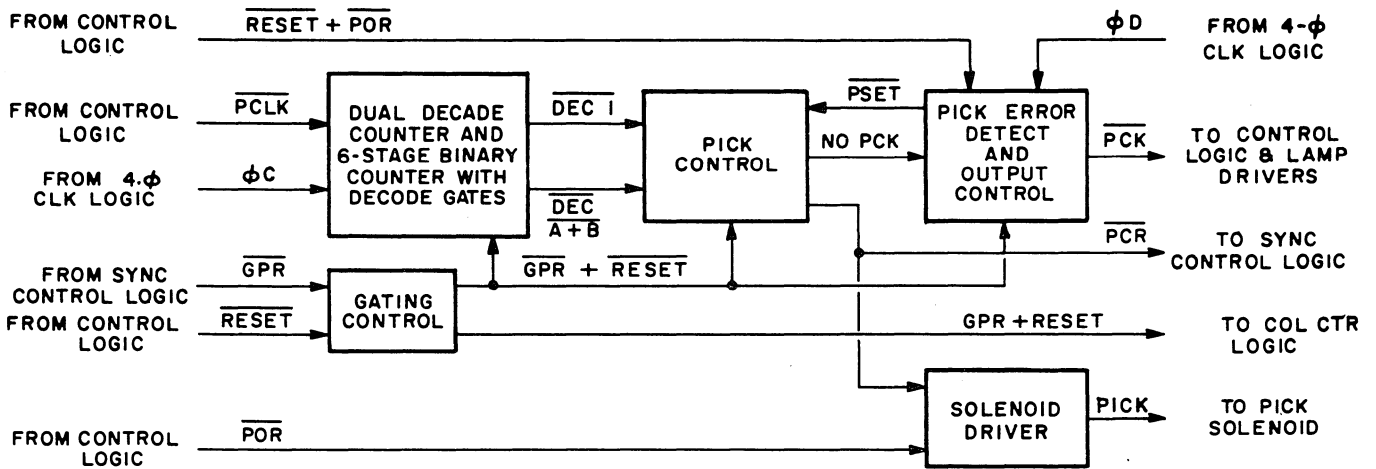


Figure 7. Oscillator/Four-Phase Clock Logic Block Diagram



NOTE: TIMING NOT SHOWN TO SCALE.

Figure 8. Pick Control Logic Block Diagram

If a card is picked at any time before the end of the sixth attempt, a Good Pick Reset (GPR) is produced to reset the Pick Control logic counters until the end of the read cycle for the picked card. The GPR pulse is generated when the leading edge of a card first reaches the read station. The end of the read cycle is defined as the 84th pseudo-column ($\overline{84CR}$) passing the read station (see figure 6). The $\overline{84CR}$ signal, generated by the Column Counter logic, enables the \overline{PCLK} to be started again if the external program PICK COMMAND is still present and the READY line is still raised. The above cycle repeats until all cards in the input hopper have been processed or until an error condition occurs.

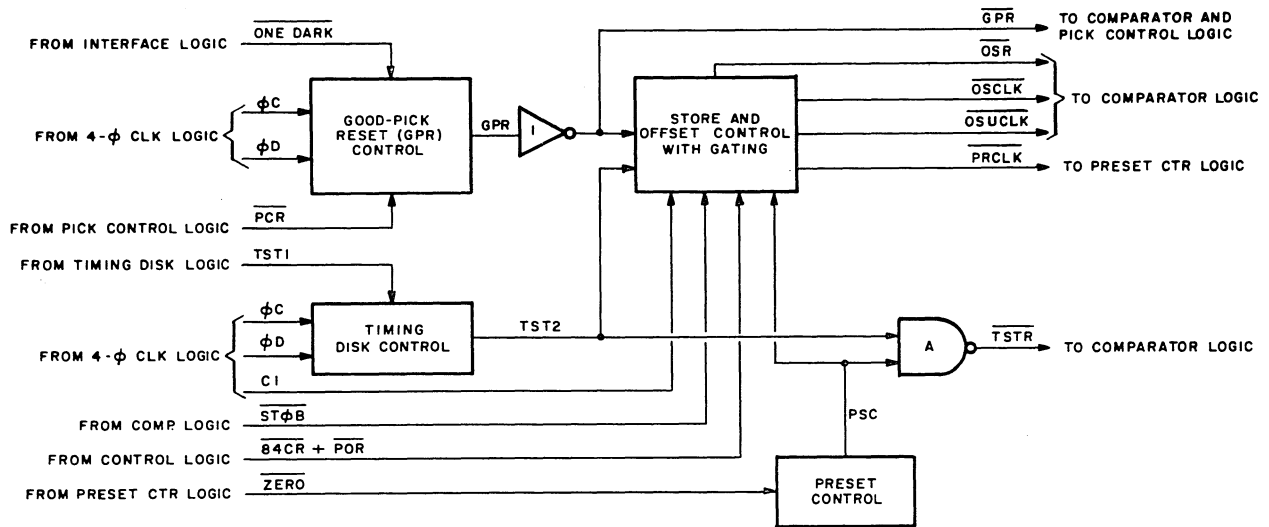
SYNC CONTROL LOGIC

The Sync Control logic (figure 9) provides data readout synchronization from the timing disk. The timing disk is mounted on the same shaft as the first capstan roller. This capstan roller engages the card as it is released by the picker and thereafter determines the speed at which the card will be moved through the card track. The asynchronous card pick sequence causes the card to arrive at the read station at an arbitrary time in relation to the timing disk. The edge of the ferrous alloy timing disk is provided with gear-type serrations such that two flux reversals occur for each column of data on the card moving down the card track. These are sensed by the magnetic pickup and its associated amplifier to produce two TST1 signals for each column of data.

From figure 6 it can be seen that the first one-quarter inch of a punched card, (which contains no data per EIA standard) could have two data columns punched into it. The M Series reader logic assumes the presence of these columns as if they do exist and they are called column 0' (first pseudo-column occurring after the leading edge) and column 0 (second pseudo-column).

PRESET COUNTER LOGIC

The TST1 signals produced by the timing disk pickup amplifier are gated with the internal logic clock to produce the TST2 signals as positive-going, 8.33-microsecond output pulses that are phased to $\emptyset C$ of the four-phase clock. When GPR occurs, the \overline{PRCLK} signal is started by the store and offset control logic circuits. This clock signal is used to drive the Preset Counter logic. See figure 10. The Preset Counter is used to produce the delay necessary while the card moves the distance from the leading edge of the card to the beginning of pseudo-column 0'. This value is different for each track velocity used in the various M Series card readers. The occurrence of the GPR signal is used



NOTES:

- (1) FOLLOWING TIMING NOT SHOWN TO SCALE.
- (2) TIME SCALE OF SECOND GROUP NOT SAME AS FIRST GROUP.

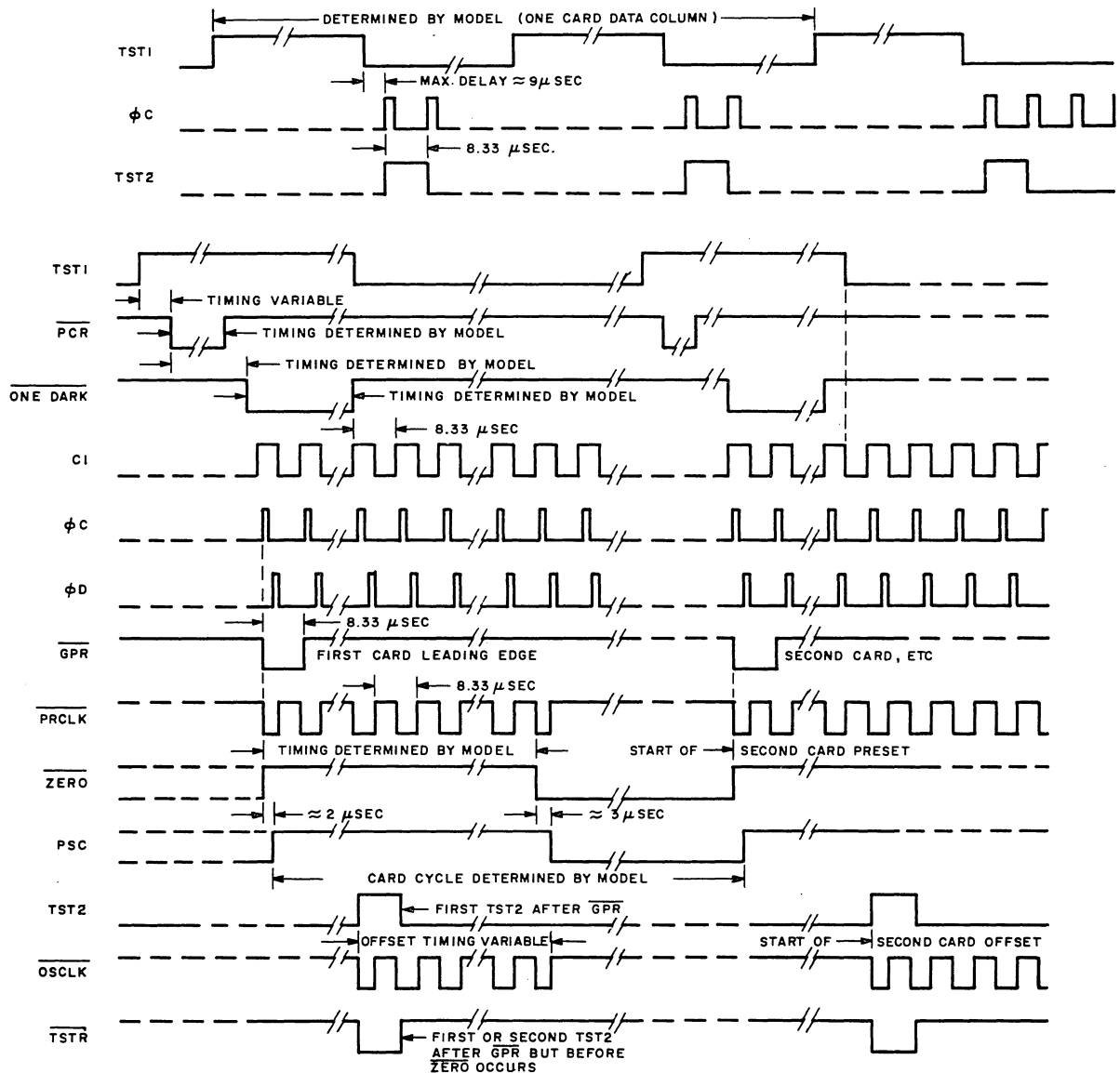


Figure 9. Sync Control Logic Block and Timing Diagram (Sheet 1 of 2).

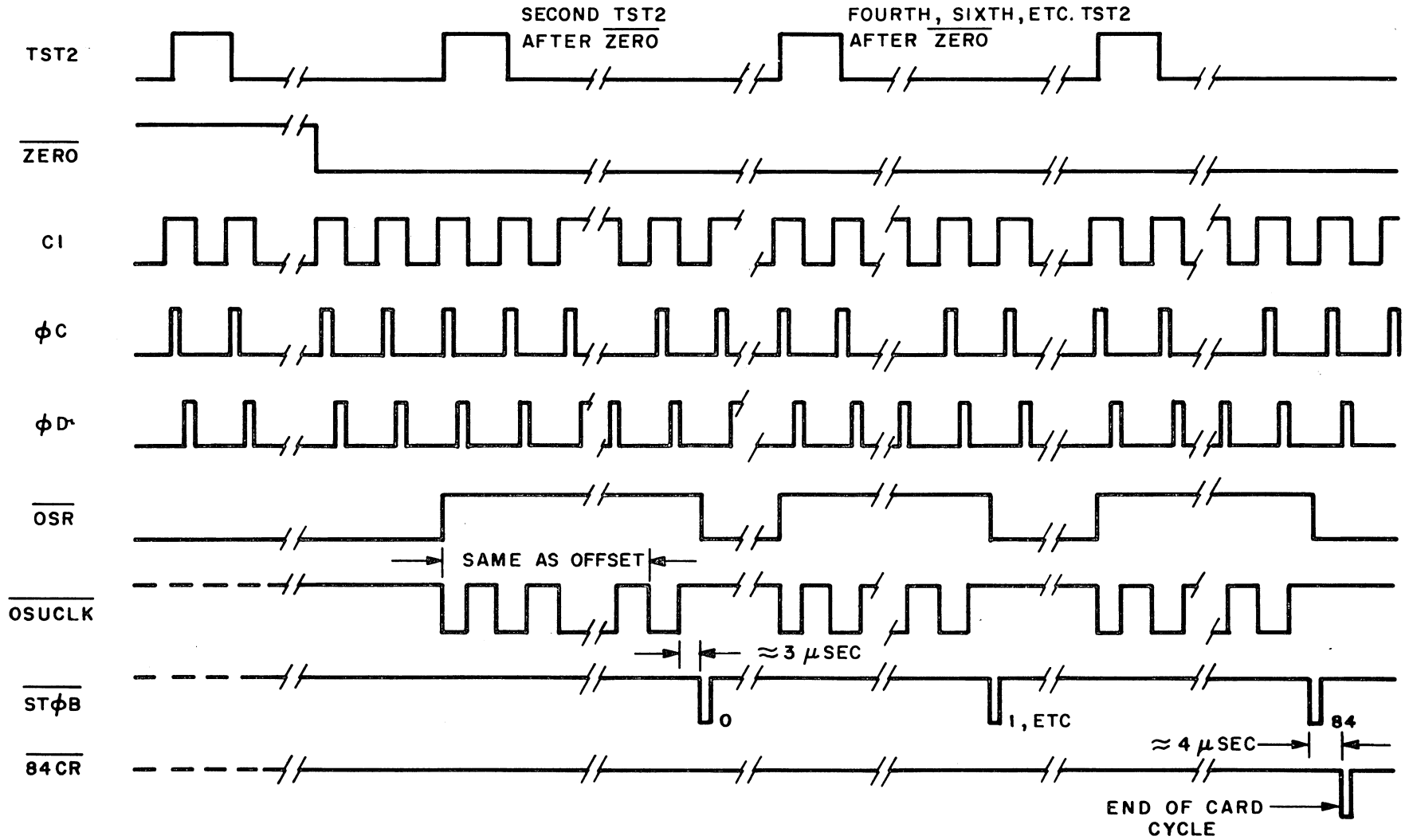
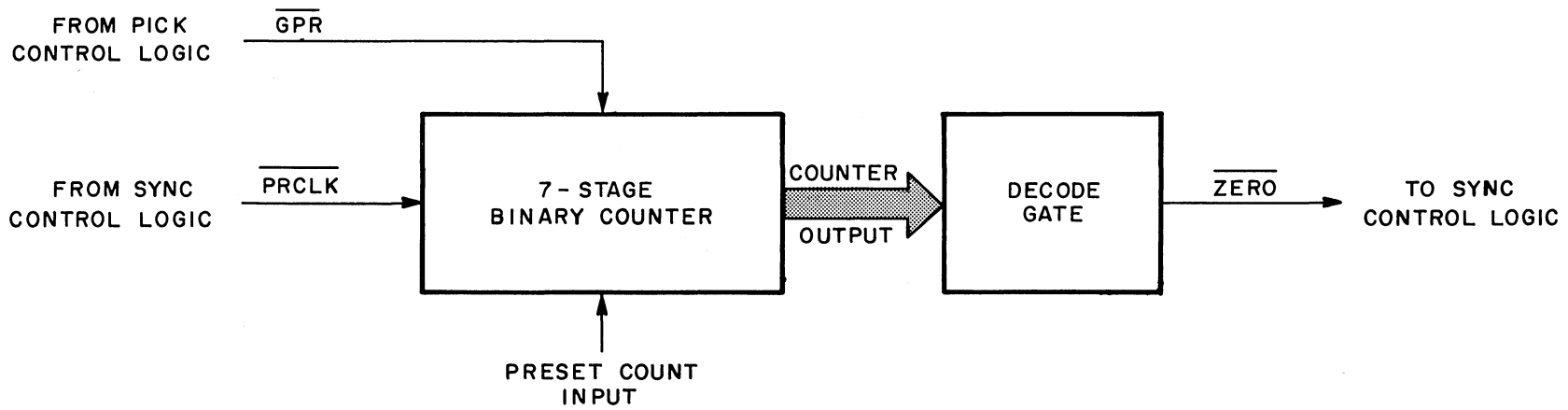


Figure 9. Sync Control Logic Block and Timing Diagram
(Sheet 2 of 2)



NOTE:
TIMING NOT SHOWN TO SCALE

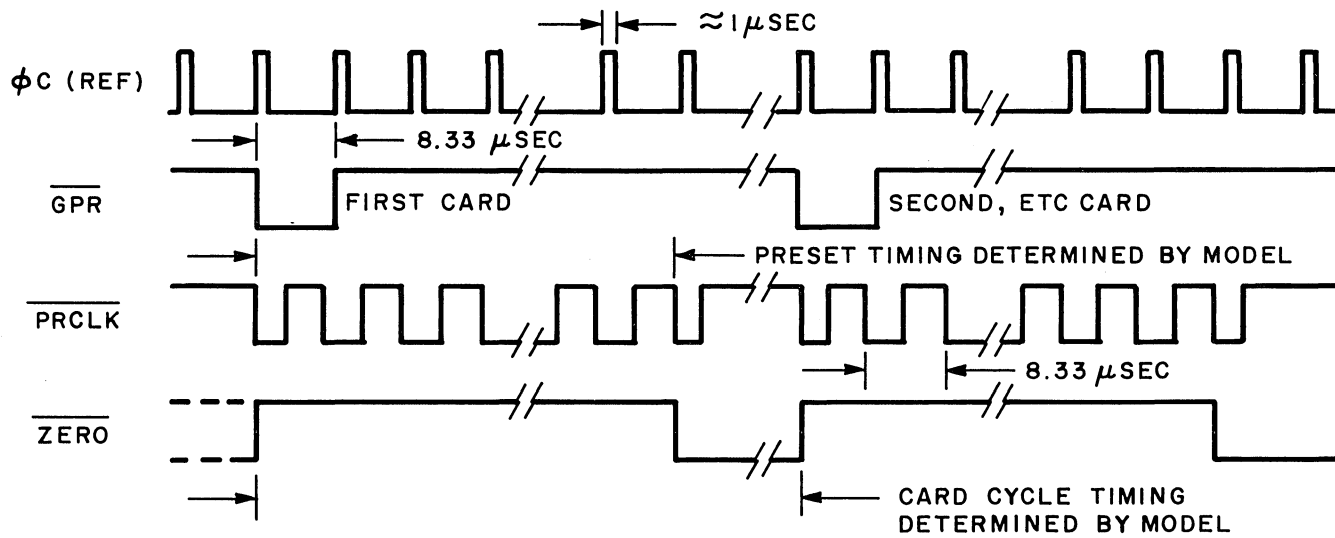


Figure 10. Preset Counter Logic Block Diagram

to "jam" set a hard-wired binary value into the Preset Counter and then when $\overline{\text{PRCLK}}$ is enabled, the counter counts up to all one's. This ZERO value is detected and defines the beginning of pseudo-column 0'.

OFFSET COUNT/STORAGE REGISTER

Since the leading edge of the card may arrive at the read station at an arbitrary time in relation to the TST signals, it is necessary to determine this "offset" so that later data column strobes generated from the occurrence of the TST1 signals will continue to be offset by the same amount for all 80 columns of that particular card. It should be noted that this offset interval between TST and the data column strobes will be different for each successive card, but is constant within each card.

The first TST2 after GPR starts the $\overline{\text{OSCLK}}$ signal, which is used to trigger the offset storage counter. These circuits count and store the time interval between the TST2 signal and the end of preset interval (i.e., beginning of pseudo-column 0'). If two TST2 signals occur before the preset timing is complete (as indicated by generation of $\overline{\text{ZERO}}$), the second TST2 resets the Offset Counter and its counting begins again (i.e., the shortest time interval between TST2 signals and end of preset timing is always selected). This "offset" interval is the synchronizing point that establishes the beginning of each of the remaining 80 data columns on that particular card.

The initialization reset for the Offset Counter is produced by $\overline{\text{TSTR}}$, which is generated by the first and/or second TST2 signal after GPR but before $\overline{\text{ZERO}}$ occurs. After the preset timing $\overline{\text{ZERO}}$ is produced, the $\overline{\text{PRCLK}}$, $\overline{\text{OSCLK}}$, and $\overline{\text{TSTR}}$ circuits are inhibited until the next GPR is generated; however, the second, fourth, sixth, etc., TST2 signal after $\overline{\text{ZERO}}$ is used to produce the $\overline{\text{OSR}}$ and $\overline{\text{OSUCLK}}$ signals. These two signals enable the Offset Comparator circuits to reproduce a time interval equal to the original offset count for each of the 80 columns of data in a punched card. In turn, this synchronizes various timing strobes within the card reader to allow for stable recovery of the data in each card column.

COMPARATOR LOGIC

As explained above, the Comparator Logic (figure 11) stores the offset interval and uses its value to generate the 80 data column strobes and index marks for external equipment synchronization.

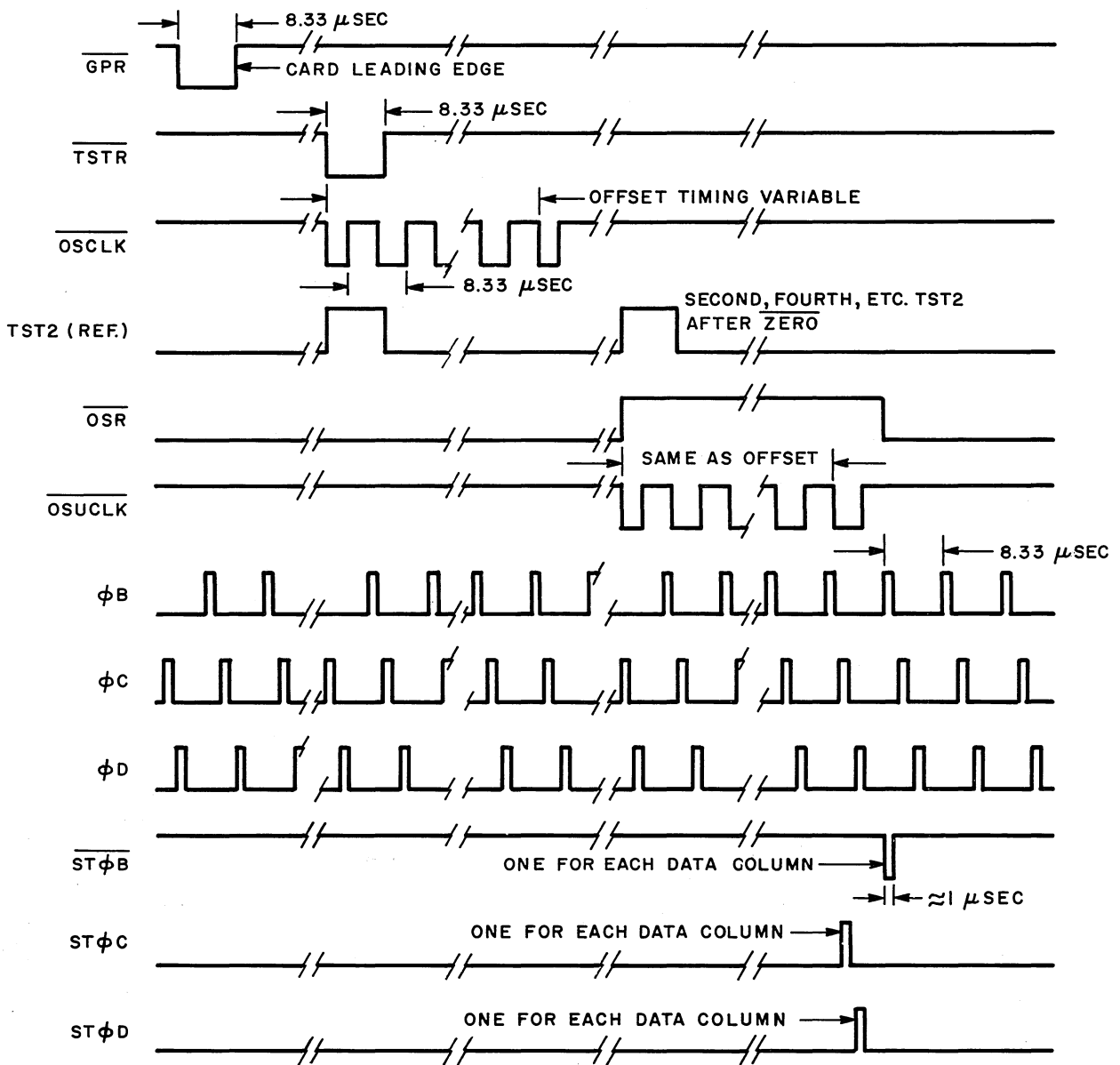
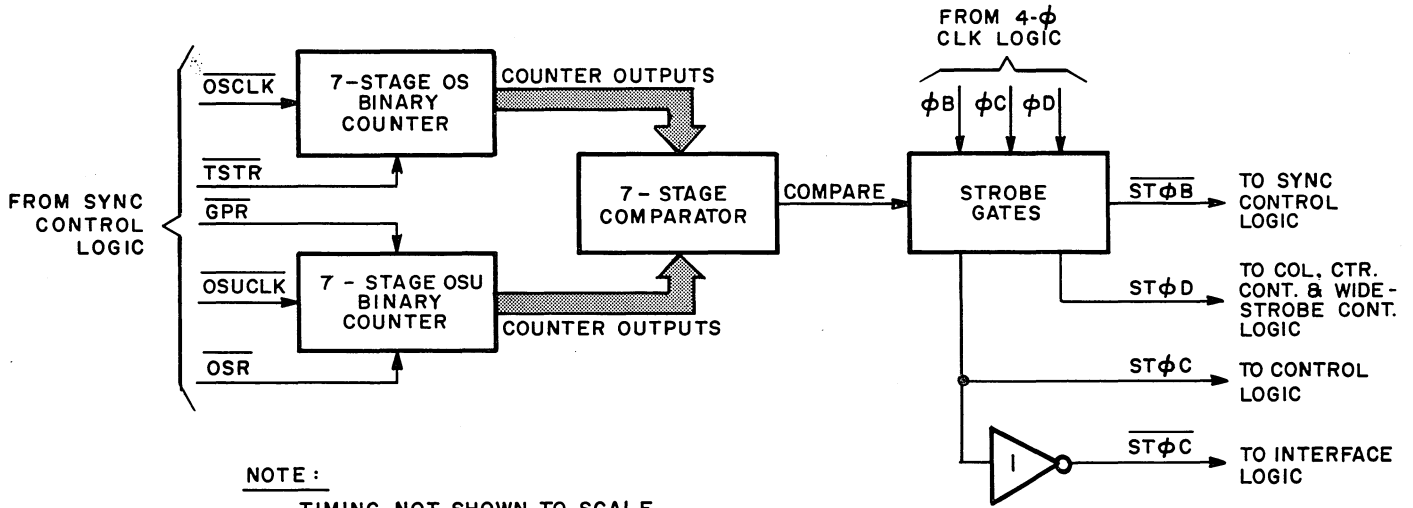


Figure 11. Comparator Logic Block Diagram

The $\overline{\text{OSR}}$ signal, which is raised by the second, fourth, etc., TST2 signal after the ZERO detect point occurs, allow the Offset Counter to be up-counted by the $\overline{\text{OSUCLK}}$ signal from sync control. A seven-stage, parallel comparator circuit recognizes when this count has equalled the binary value stored in the seven-stage offset counter. This up-count interval is regenerated 80 times as the card moves past the read station. Hence, by using this technique of re-establishing the value of the offset interval at the beginning of each card, the 80 data strobes are able to readjust for the arbitrary leading edge arrival.

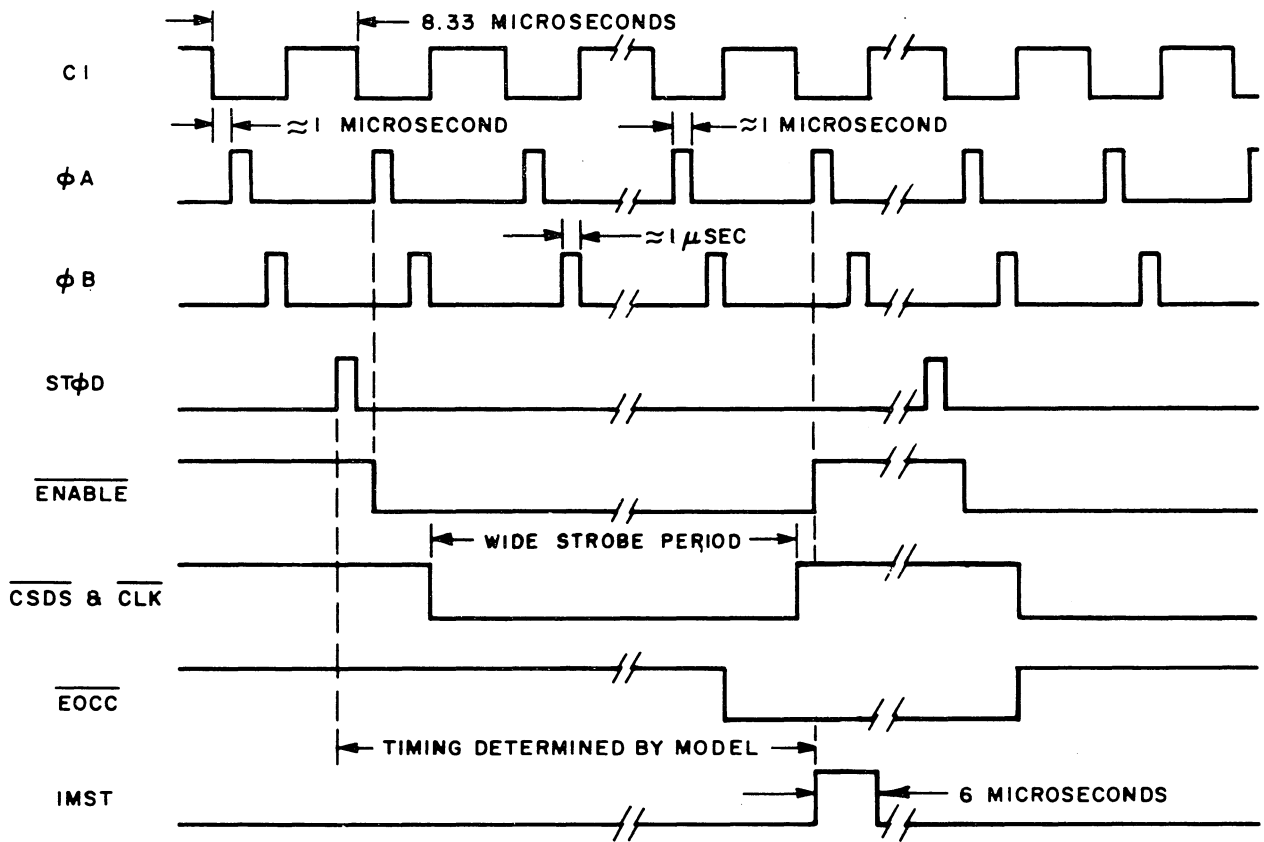
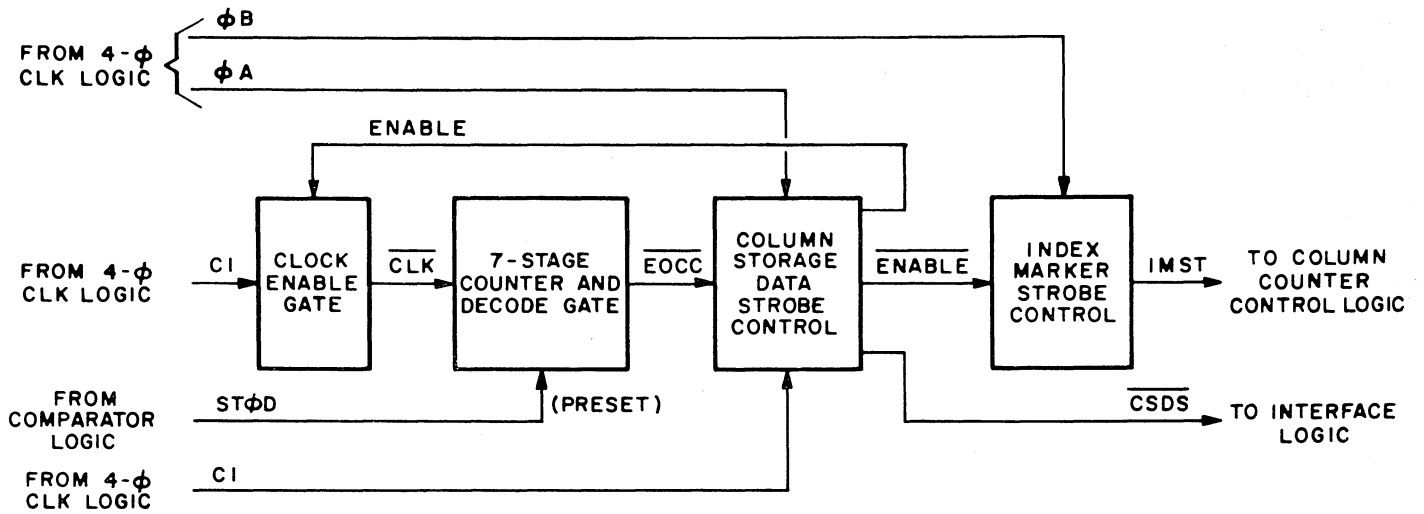
The output of the comparator logic is a sequence of four pulses which actually initiate the various strobe actions. These are derived from the four-phase clock as follows: $\overline{\text{ST}\phi\text{C}}$ occurs first, followed by $\overline{\text{ST}\phi\text{D}}$, $\overline{\text{ST}\phi\text{A}}$, and $\overline{\text{ST}\phi\text{B}}$ ($\overline{\text{ST}\phi\text{B}}$ is used to reset the compare cycle).

WIDE-STROBE CONTROL LOGIC

The Wide-Strobe Control logic (figure 12) is used to produce the index marker strobes (IMST) and the column storage data strobe (CSDS). The $\overline{\text{ST}\phi\text{D}}$ signal, generated by the comparator logic, presets a seven-stage counter to a binary value determined by the card reader model. The counter then counts to all ones and in so doing, opens the Character Buffer gates for a time interval controlled by the hard-wired binary value. During the count cycle of the counter, any TRUE signals from the 12 read station sensors will be stored into the latch-type storage registers of the Character Buffer. At the end of the count cycle, the index marker strobe control circuits produce the six-microsecond wide IMST signal, which is routed through the column-counter logic to produce the Index Marks for external equipment synchronization. This insures that the data for the particular column being read is stored properly, allowing transients to settle out before the Index Mark is transmitted.

CHARACTER BUFFER/OUTPUT LOGIC

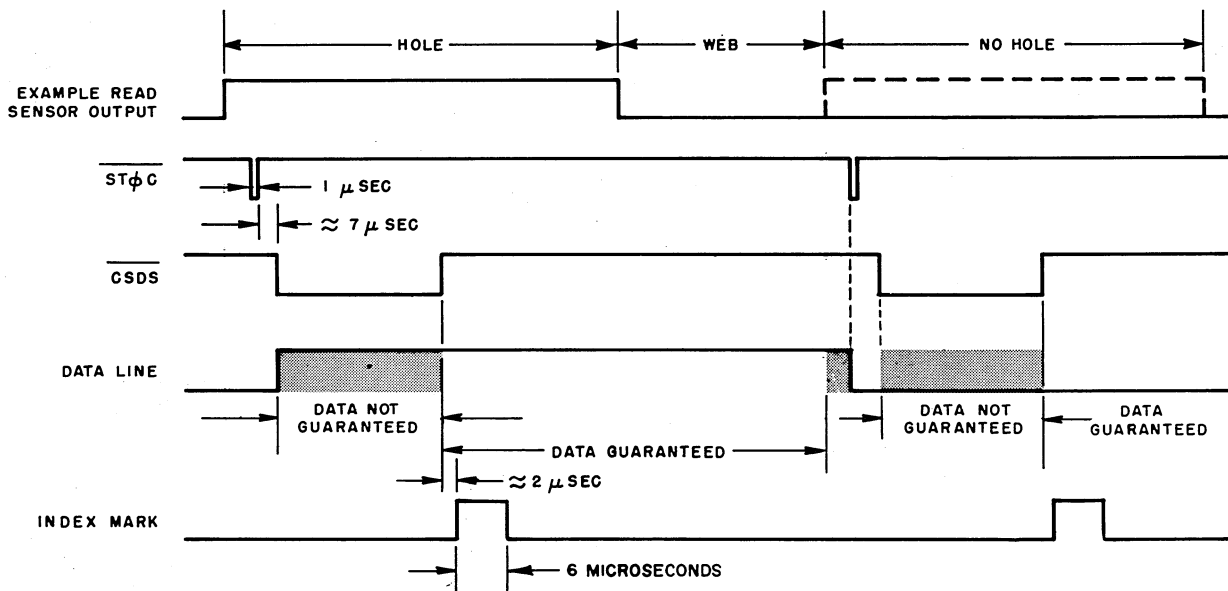
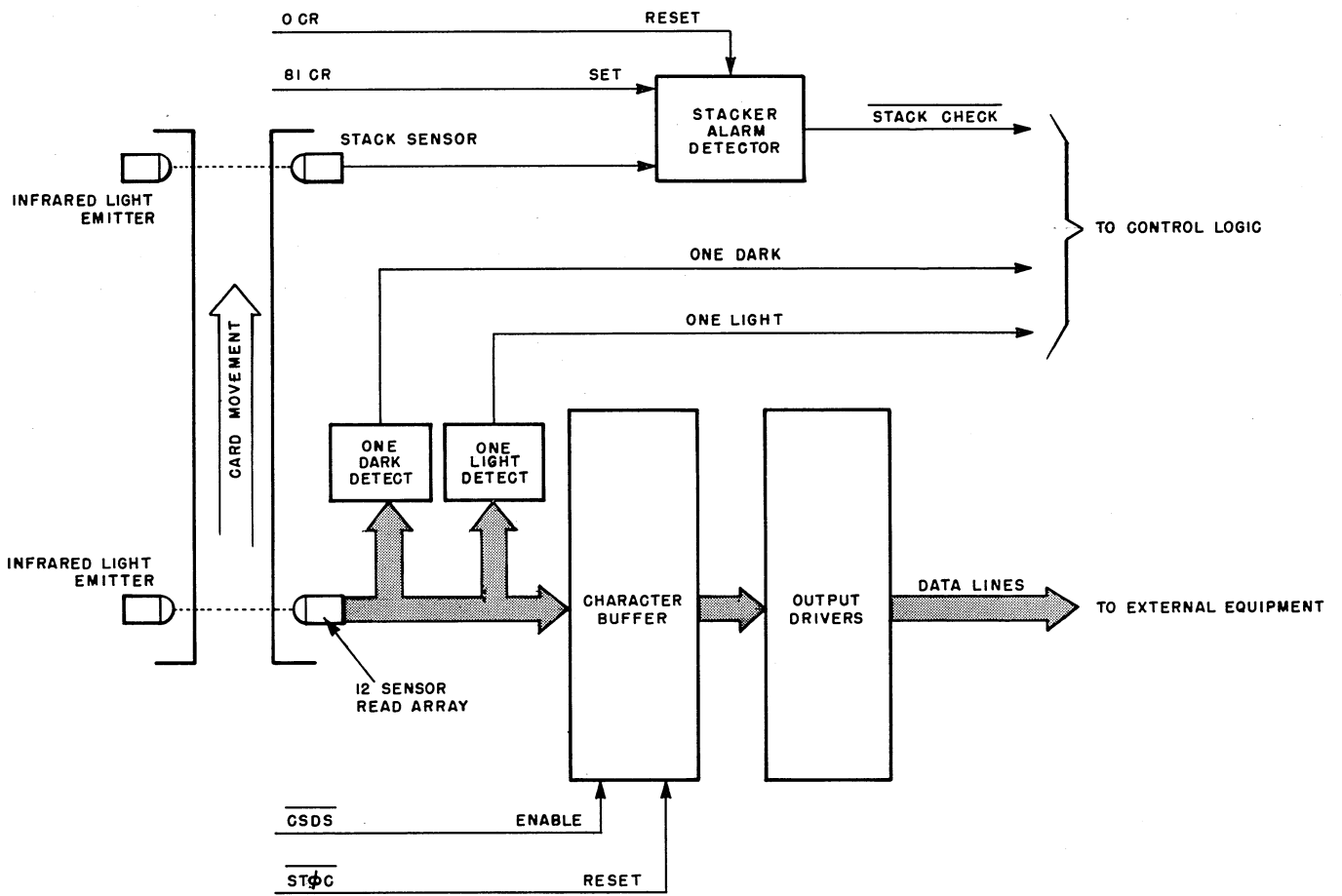
The output of the 12 phototransistor sensor arrays is gated to the Character Buffer by the wide strobe signal ($\overline{\text{CSDS}}$) as described above. Any TRUE level received from the read array during the duration of this $\overline{\text{CSDS}}$ enable will be stored and will appear on the output line. It will remain until the Character Buffer is reset by the $\overline{\text{ST}\phi\text{C}}$ signal. Refer to figure 13 for the block diagram and timing relationships. It is important to note that data is only guaranteed to be present from the trailing edge of the $\overline{\text{CSDS}}$ pulse to a point shortly before $\overline{\text{ST}\phi\text{C}}$. The guarantee period is different for each reader model and even though a generous delay is guaranteed, it is good practice to accept the data as soon as offered by



NOTES:

- (1) $ST\phi D$ SYNCHRONIZED TO CARD DATA COLUMNS.
- (2) TIMING NOT SHOWN TO SCALE.

Figure 12. Wide-Strobe Control Logic Block Diagram



NOTES:

- (1) TIMING NOT SHOWN TO SCALE.
- (2) THE SPACING BETWEEN STφC, THE DURATION OF CSDS, AND THE GUARANTEE PERIOD OF THE DATA DIFFERS DEPENDING ON READER MODEL. REFER TO INTERFACE SECTION FOR SPECIFIC TIMING.

Figure 13. Character Buffer Storage Logic Block Diagram

the Index Mark. Either the leading or trailing edge of the Index Mark (IM) may be used to accept the data. The data signals will have settled by the occurrence of IM.

The ONE LIGHT and ONE DARK signals are derived if any one sensor goes light or dark. These signals are sent to the Control logic where they are interrogated at the proper time (see figure 6) to establish that the card does not have leading or trailing edge tears (Dark Check) and that the sensor array is responding to its stimuli properly (Light and Dark Check).

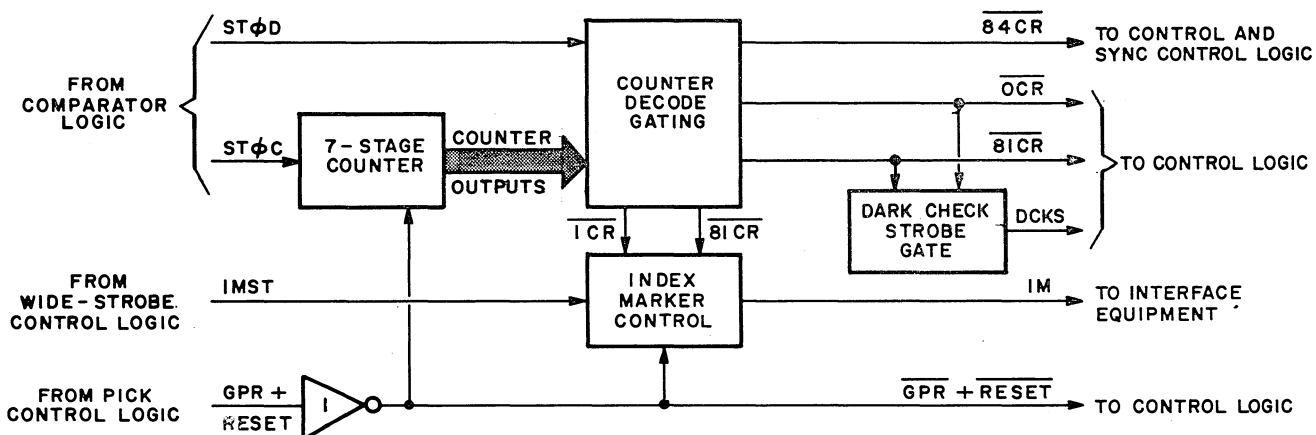
COLUMN COUNTER CONTROL LOGIC

The Column-Counter Control logic (figure 14) is initialized by GPR to begin counting the number of data columns read as the card moves past the read station. The seven-stage binary counter is triggered by ST \emptyset C, which is synchronized to the data column of a card. The counter decode gating recognizes 0CR (pseudo-column 0) and 81CR (pseudo-column 81) to produce the two dark checks (DCKS). This provides the dark check of the read station at the beginning and end of the card being read. The counter decode gating circuits also detect 1CR (enable) and 81CR (disable) to control the Index Marker generation. The 84CR count recognition is used to initiate the Light Check and to indicate the end of the read cycle. This signal also re-establishes the readiness of the card reader to accept the next pick command (provided no alarm conditions have occurred for the card being processed).

CONTROL LOGIC

The Control logic (figure 15) contains the error alarm detection circuits, ready-condition detect circuits, and pick control and gating circuits.

The Pick Check control circuits signal the fact that a card has been picked (i.e., no $\overline{\text{PCK}}$ alarm signal has occurred), to the Read Check Control logic. Unless two successful Dark Checks are received, an automatic Dark Check alarm is generated. In like manner, a successful Light Check must be received prior to the $\overline{84\text{CR}}$ (end of card read cycle) to prevent a READ CHECK. In other words, a READ CHECK is not generated when this logic senses the successful occurrence of two dark checks (0th pseudo-column and 81st pseudo-column), and that a successful light check has occurred prior to the generation of $\overline{84\text{CR}}$.



NOTE :

- (1) TIMING NOT SHOWN TO SCALE.
- (2) GPR OCCURS AT LEADING EDGE OF CARD.

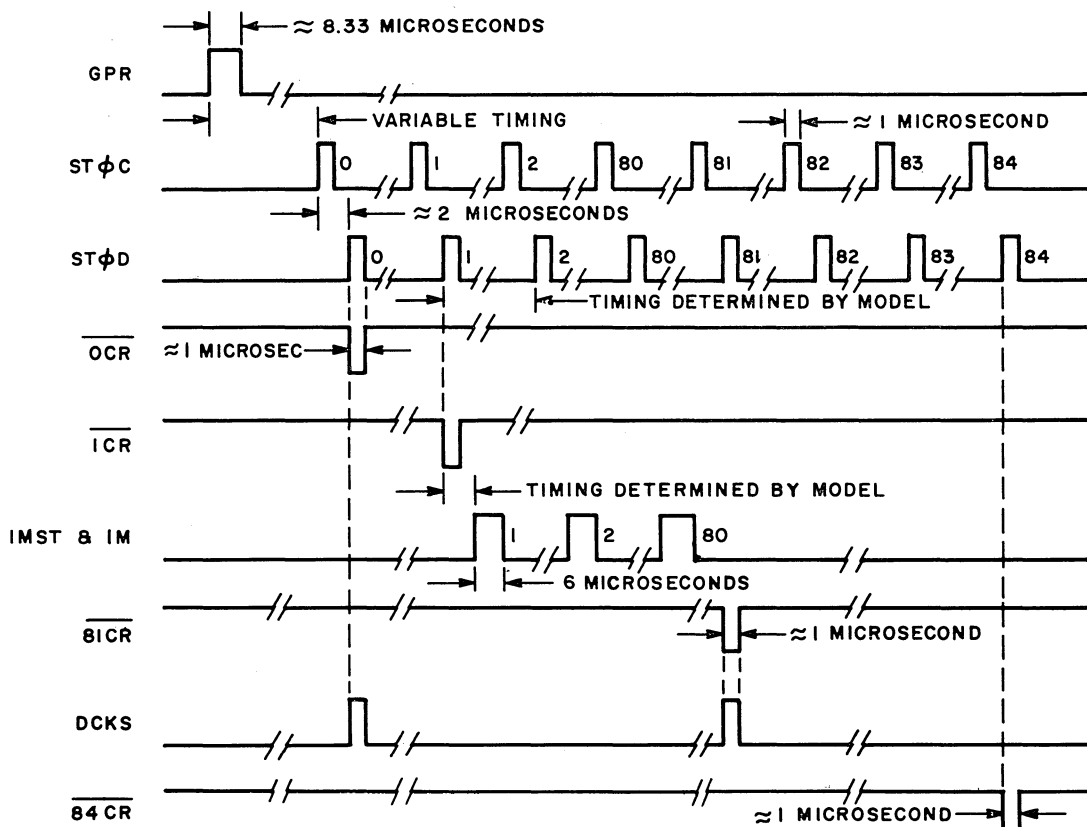
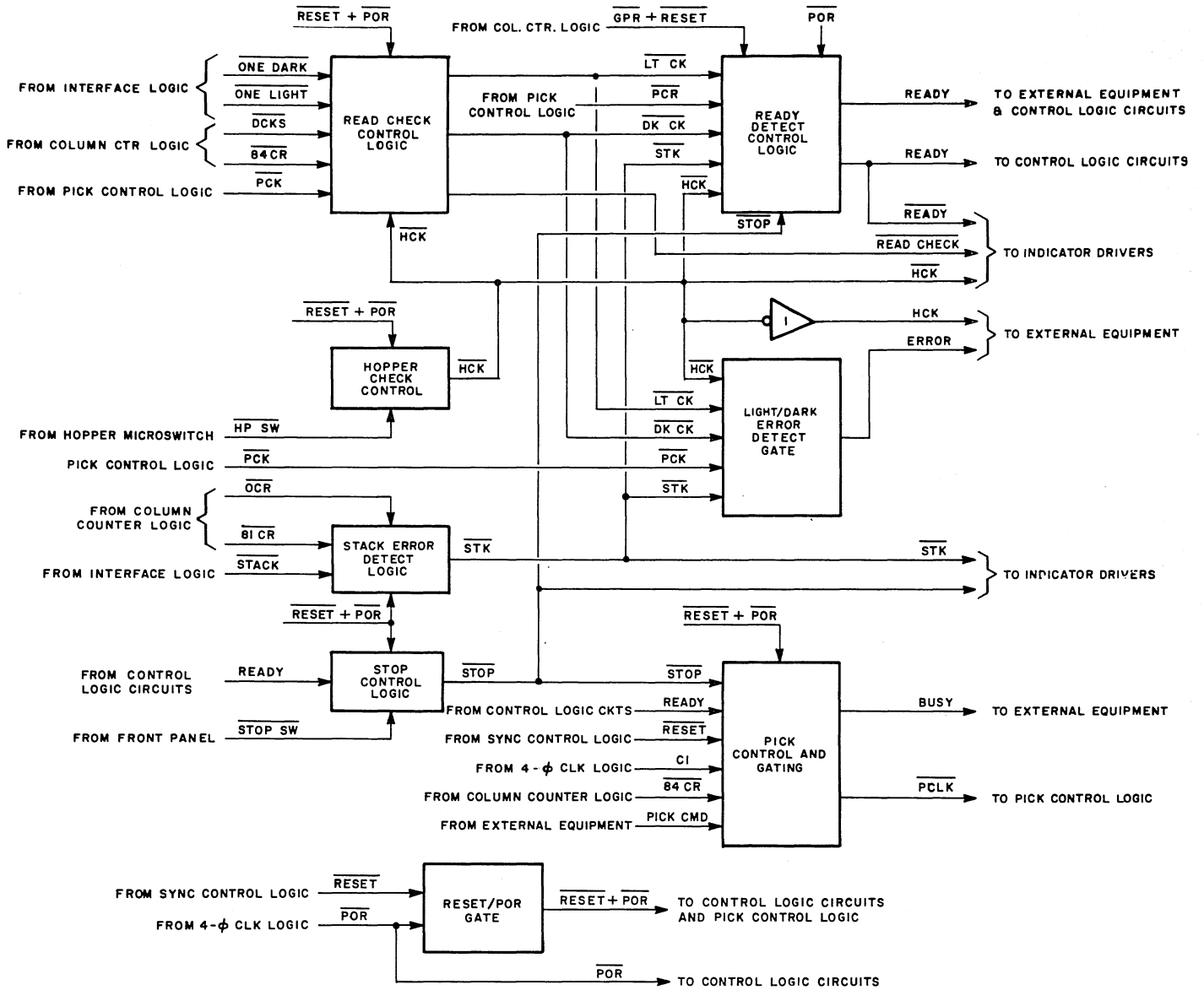


Figure 14. Column Counter Control Logic Block Diagram



NOTE:
TIMING NOT SHOWN TO SCALE

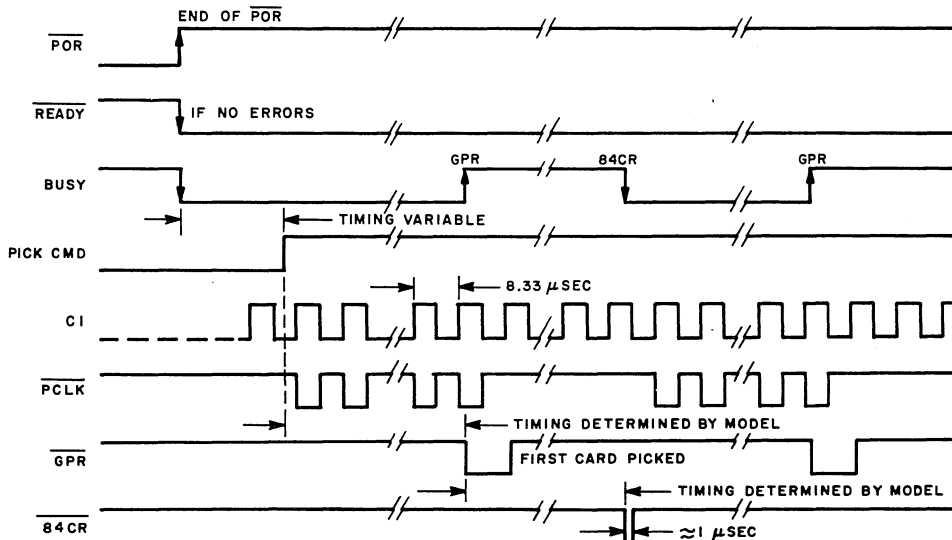


Figure 15. Control Logic Block and Timing Diagram

The Error Detect gate recognizes a data error condition from any of the above detect circuits and provides an ERROR signal to the external equipment. Simultaneously the particular alarm condition indicator on the card reader front control panel is illuminated. The Hopper Check Control circuits utilize the microswitch in the riffle cap to sense when the hopper is empty of cards. Another microswitch in the stacker follower assembly senses when the output stacker is full of cards. Either of these conditions will generate the $\overline{\text{HCK}}$ alarm.

The Stop Control logic detects the fact that the STOP pushbutton switch on the card reader front control panel has been depressed or that a light/dark check error has occurred to lower the READY line. The Ready Detect control logic utilizes the fact that no alarm conditions exist to raise the READY line for external program control and internal control use. The READY line is lowered at the instant of error detection but the card reader operation is not stopped until after the present card is processed completely.

MOTION CHECK LOGIC

The stack check sensor (see figure 13) is located at the exist of the card track and detects that the tail of a card is clear of the card track (hence, fully seated in the output stacker). The Stack Alarm logic is designed to test that the stack sensor made a dark-to-light transition (i.e., track clear) between the time a 81CR signal occurs (card tail leaving the read station) and the OCR signal of the next card. Should this transition not have taken place, a STACK CHECK alarm is generated. This signal is combined with the Pick Check alarm to generate a MOTION CHECK alarm to the external equipment should either condition occur. The card reader is stopped and the READY line goes FALSE.

LAMP DRIVERS

The lamp drivers amplifiers provide the current drive for the alarm indicators on the front control panel. The LAMP TEST input to the lamp driver circuits enables the output drivers for all indicators simultaneously, providing the operator with a rapid check to determine that all #328 bulbs are good.

INTERFACE

GENERAL

This section covers the interface between the M Series punched card readers and the equipment into which it transfers data.

TIMING

In interfacing the M Series card readers to an external system or card reader controller, the designer should appreciate that three separate categories of interface signals are being dealt with. The first are the signals which control and report the status of card processing, the second are the data signals themselves with their associated index marks, and the third are the various alarm signals provided. In the description following, the designer should refer to the timing diagram shown in figure 16.

Pick Control

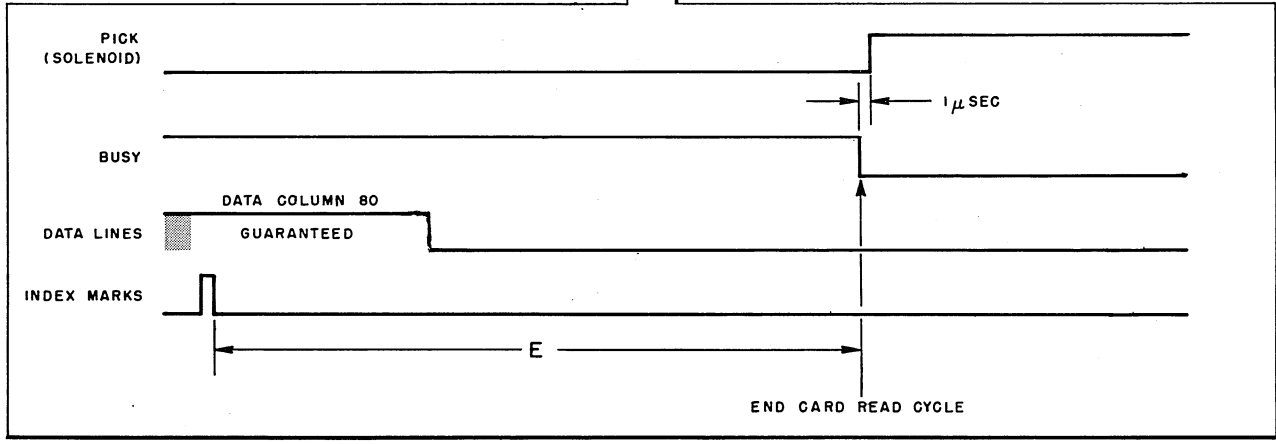
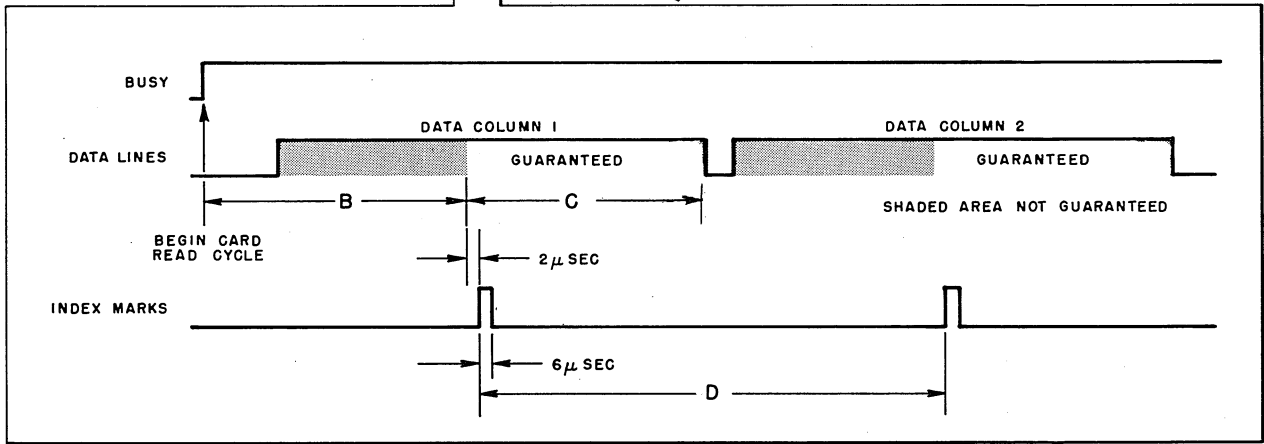
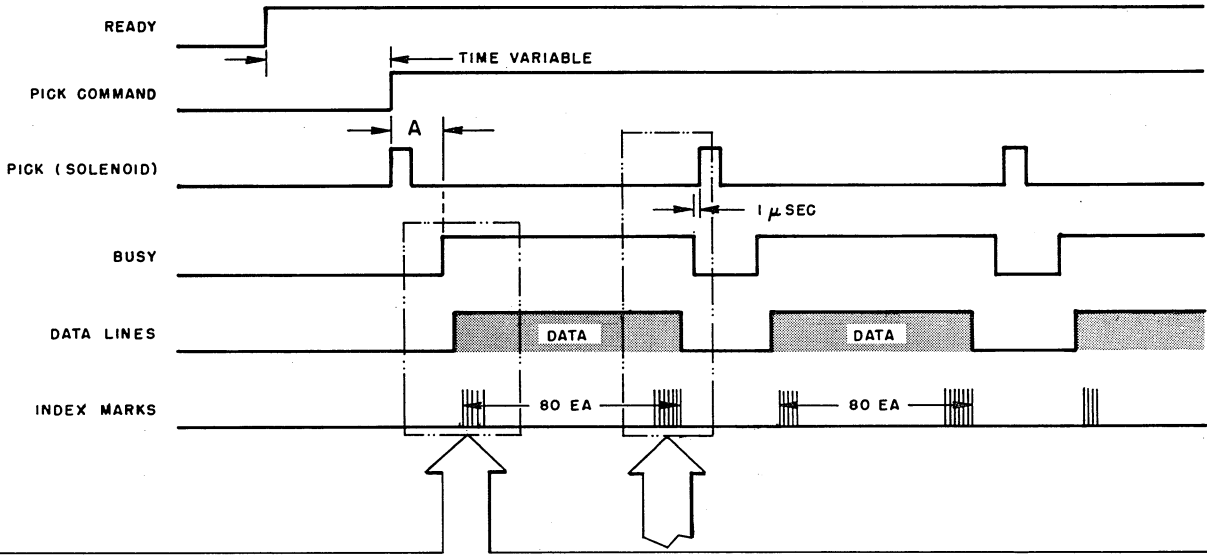
The PICK COMMAND initiates the card read cycle, and depending upon its duration, the card reader will either continuous run or operate in a card-at-a-time mode. This signal can be presented to the reader at any time, but the reader will only accept it when the READY line is TRUE. The READY signal indicates that the card reader is cleared of errors and is ready to receive a PICK COMMAND from the external program control. A visual indication of the READY line is the green RESET indicator on the front control panel.

The conditions which must be present for the READY line to be TRUE are:

1. Power applied and the 3 second run-up completed.
2. The input hopper has been loaded.
3. Depressing the RESET pushbutton switch will bring the READY line TRUE.

Should all of the above conditions be satisfied, the presence of a PICK COMMAND signal will generate the PICK pulse to the picker solenoid. The first card is introduced into the card track, and after a delay (see A, figure 16), the leading edge will arrive at the read station. The BUSY signal will go TRUE as soon as the leading edge of the card enters the read station.

To initiate the card pick cycle, the PICK COMMAND must be present for at least 1 microsecond (us) concurrently with the READY signal. Once the pick cycle is initiated, the PICK COMMAND line is ignored until the BUSY signal goes



NOTE:
WAVEFORMS NOT SHOWN TO SCALE.

MODEL	A (MIN)	B	C	D	E	CARD PICK CYCLE
M200	24	6250	1314	2014	8050	200
M300	24	2600	435	870	102,660	200
M600	24	2600	435	870	3480	100
M1000	15	1860	240	478	1910	60
M1200	14	1120	240	405	1529	50
	M SEC	μ SEC	μ SEC	μ SEC	μ SEC	M SEC

Figure 16. Standard Interface Timing for M Series Readers

FALSE, indicating the end of the card read cycle. In card-at-a-time operation, it is suggested that the PICK COMMAND be retained TRUE until receipt of the column 1 index mark. In the continuous run mode, the PICK COMMAND may be left in the TRUE condition and a new PICK signal will be automatically generated within 1 us of the BUSY signal going FALSE.

Should the picker fail to engage the card, the Pick Control logic will wait 50 milliseconds (ms) and automatically try again. It will continue to generate a PICK pulse every 50 ms until 6 attempts have been made. After 6 attempts have been unsuccessful (300 ms), a PICK CHECK alarm will be generated, disabling the READY line.

Data Readout

The card read cycle starts with the recognition that the card leading edge has entered the read station. At this time the BUSY line goes TRUE. Eighty equally spaced Index Marks of 6 us duration are generated while the BUSY signal is present. The time spacing of the Index Marks and the BUSY signal are shown by intervals B, D, and E on figure 16.

It can be seen from the timing diagram that data signals may appear on the data output lines before the occurrence of the associated Index Mark. Since torn webs are sometimes encountered which could partially obscure the hole, all Documentation card readers feature a wide data acceptance interval to provide greater tolerance to this damage. During this interval, any signal from the read station sensors indicates a hole, and therefore is recognized as a valid data bit and is stored into the Character Buffer. Since the contents of the Character Buffer are subject to change throughout this interval, the data is not guaranteed until the end of the acceptance interval. This period is terminated 2 us prior to the Index Mark.

By the time the Index Mark is generated, the data will have been read, stored, and the data lines should have settled. Data levels are guaranteed to remain on the output lines available for transfer to the external equipment for interval C.

Alarms

A description of the standard alarm signals provided in the M Series reader follows:

Hopper Check

The HOPPER CHECK signal remains FALSE during normal card reader operation, but goes TRUE if either the input hopper is empty or the output stacker is full. If the input hopper is empty and the SHUTDOWN switch is in AUTO position, the motors are also automatically switched off; when the input is reloaded and RESET pressed, the motors are automatically re-energized.

When the last card leaves the input hopper, the switch which senses the empty condition immediately signals a HOPPER CHECK and disables the READY signal. This occurs at about the time that the 16th data column is being read. The reader continues the read cycle; however, when the BUSY line next goes FALSE the reader is stopped. In the case of a full output stacker, the HOPPER CHECK signal only appears at the end of the read cycle during which it occurred.

Error

The ERROR signal is produced by failure of the light or dark check. This usually indicates that a card has a tear at the leading or trailing edge (DARK CHECK). If the read station should experience an emitter/sensor failure while reading a card, the LIGHT CHECK will pick it up. Either type of failure will be signalled by the ERROR line going TRUE and a READ CHECK indication on the front panel.

Motion Check

The MOTION CHECK signal is a composite of the PICK CHECK and STACK CHECK alarm. Both alarms are conditions requiring operator intervention and are furnished to the interface as a single alarm line. The condition is displayed on the front panel indicator lights as either a PICK CHECK or a STACK CHECK. The MOTION CHECK signal will occur within 300 ms of the initiation of an unsuccessful pick attempt or in time to inhibit the picking of the second card after the stacker sensor detects that a card is not completely clear of the card track.

CONNECTORS

The 38 pin output connector provides access for all control, data and alarm lines. A separate twist-lock connector provides entry for AC power. The output connector is Elco part no. 00-8016-038-000-707 and the mating connector is Elco part no. 00-8016-038-217-704. This mating connector assembly is available from Documation and is shipped unassembled as a kit with connector base, cover and 38 solder type pins (#60-8017-0513).

The power connector is Hubbell part no. 7486. The mating connector is Hubbell part no. 7484. The mating AC power connector is supplied on the standard accessory power cord; however, it is identified in case it is desired to fabricate a special power interface.

The standard M Series pin assignment configuration is given in the following table:

SIGNAL CONNECTOR PIN LIST

PIN	SIGNAL	DESCRIPTION	PIN	SIGNAL	DESCRIPTION
A	D12	Row 12 Data	X	D7 (RET)	
B	D11	Row 11 Data	Y	D8	Row 8 Data
C	D0	Row 0 Data	Z	D9	Row 9 Data
D	D1	Row 1 Data	AA	IM	Index Mark
E	D12 (RET)		BB	RDY	Ready
F	D11 (RET)		CC	D8 (RET)	
H	D0 (RET)		DD	D9 (RET)	
J	D1 (RET)		EE	IM (RET)/GRD	Signal Ground
K	D2	Row 2 Data	FF	RDY (RET)	
L	D3	Row 3 Data	HH	ERROR	Error
M	D4	Row 4 Data	JJ	HCK	Hopper Check
N	D5	Row 5 Data	KK	MOCK	Motion Check
P	D2 (RET)		LL	PC	Pick Command
R	D3 (RET)		MM	BSY	Busy
S	D4 (RET)		NN	Error (RET)	
T	D5 (RET)		PP	HCK (RET)	
U	D6	Row 6 Data	RR	MOCK (RET)	
V	D7	Row 7 Data	SS	PC (RET)	
W	D6 (RET)		TT	BSY (RET)	

POWER CONNECTOR PIN LIST

PIN	SIGNAL	
W	Safety ground	(green)
X	Neutral	(white)
Y	115 Volts	(black)

SIGNAL CHARACTERISTICS

The standard interface is supplied as the output of TTL type 7404. Signal sense is specified as a Logical TRUE and is a positive level, Logical FALSE is a ground level. Circuit characteristics are shown in figure 17. Other output drive configurations are available.

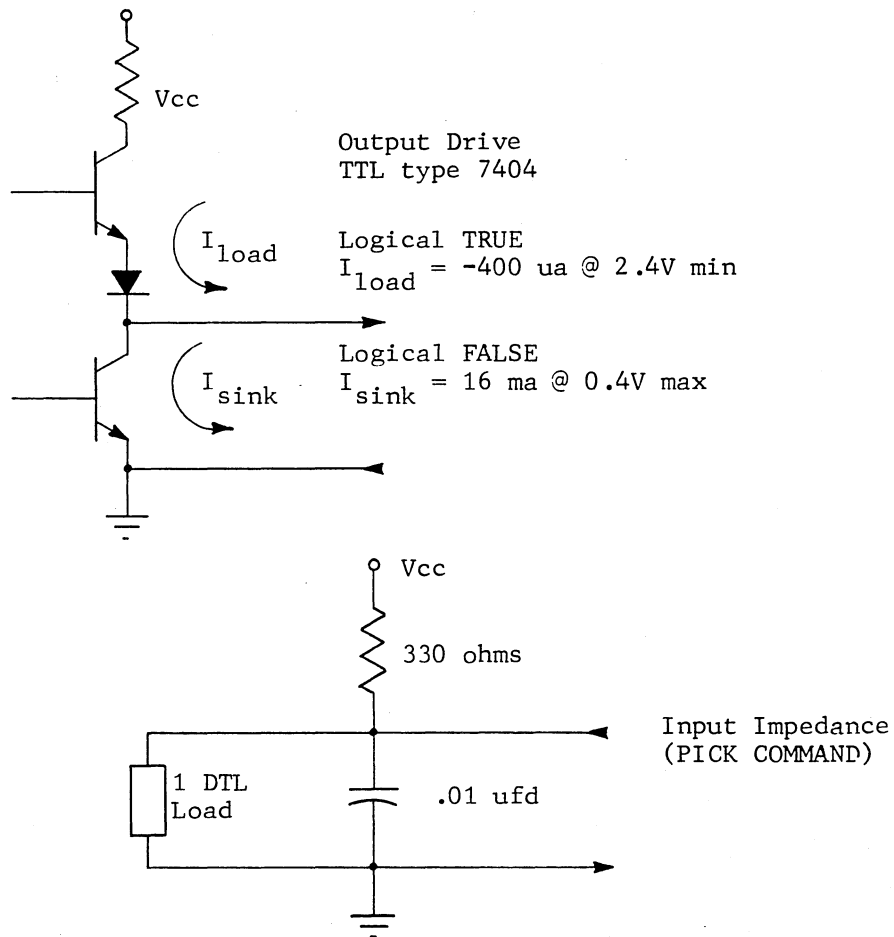


Figure 17. Circuit Characteristics

GROUNDING

Grounding within the M Series card readers maintains AC power and signal ground separate. Signal ground is the logic power return (V_{cc} return) and is transformer isolated from the AC power distribution system. The chassis is protected by connection to the safety wire (green) in the AC power cord.

It is recommended that twisted pair cable be used to connect the M Series card readers to external equipment. The signal returns should be terminated as close as possible to the signal receivers. It should be noted that pin EE (Index Mark return) is designated as SIGNAL GROUND on the pin assignment chart. If twisted pair interconnection is not used, it is recommended that pin EE be connected to the external equipment signal return.

PREVENTIVE MAINTENANCE

GENERAL

The following paragraphs provide information for preventive maintenance and general care of the M Series card readers. The M Series card readers are of rugged construction and are designed to provide many hours of failsafe, reliable operation; as such, preventive maintenance consists primarily of routine cleaning.

CLEANING

Picker Shoe

IMPORTANT

AFTER EACH 40 HOURS OF OPERATION, THE NEO-PRENE SURFACE OF THE PICKER SECTOR SHOULD BE WIPED WITH A SOLVENT SUCH AS DENATURED ALCOHOL OR LACQUER THINNER.

This will remove the glaze buildup from the ink which rubs off of the cards. This is especially prevalent where new cards are used exclusively. If this glaze is allowed to remain, it reduces the coefficient of friction of the picker sector to the point that erratic pick operation may result.

After each 160 hours of operation, the picker sector should be examined to see if any of the vacuum holes have become plugged with lint, trash, or card meal which the solvent scrub has failed to dislodge. If so, gently push this debris through the holes with a paper clip while the reader is on. The vacuum system will remove the debris.

Casting Assemblies

After each 160 hours of operation, the card track should be cleaned. Using a 5/64 Allen wrench, remove four button head screws (3), figure 20, holding top panel cover. Remove this cover and use a vacuum cleaner to remove any card debris buildup around the picker and stacker castings. Use a small brush to clean around the picker and stacker rollers and picker sector.

Cooling Fan

The cooling fan air-intake screen performs the function of preventing dirt and dust from entering the card reader interior. Depending upon the

operational atmosphere, the screen should be cleaned as necessary. Use a flat-blade screwdriver and remove the screen (Figure 18); then clean in a solvent or use a vacuum cleaner as necessary.

Exterior Cleaning

The exterior M Series Card Readers should be cleaned as often as practical. Wipe the exterior with a clean, lint-free cloth saturated with a mild solvent such as denatured alcohol or household ammonia after each 40-hour operational period. If persistent dirt buildup is present, the exterior should be rubbed down with a heavier solvent. Attention to this routine will keep the anodized finish of the reader with a like-new appearance indefinitely.

LUBRICATION

Rotary Solenoid

The rollers of the rotary solenoid normally require grease only after 40 million cards have been processed through the reader. Since there is a possibility that the grease may dry out in certain low humidity localities, it is advised to lubricate these rollers every six months. Apply one drop of Ledex

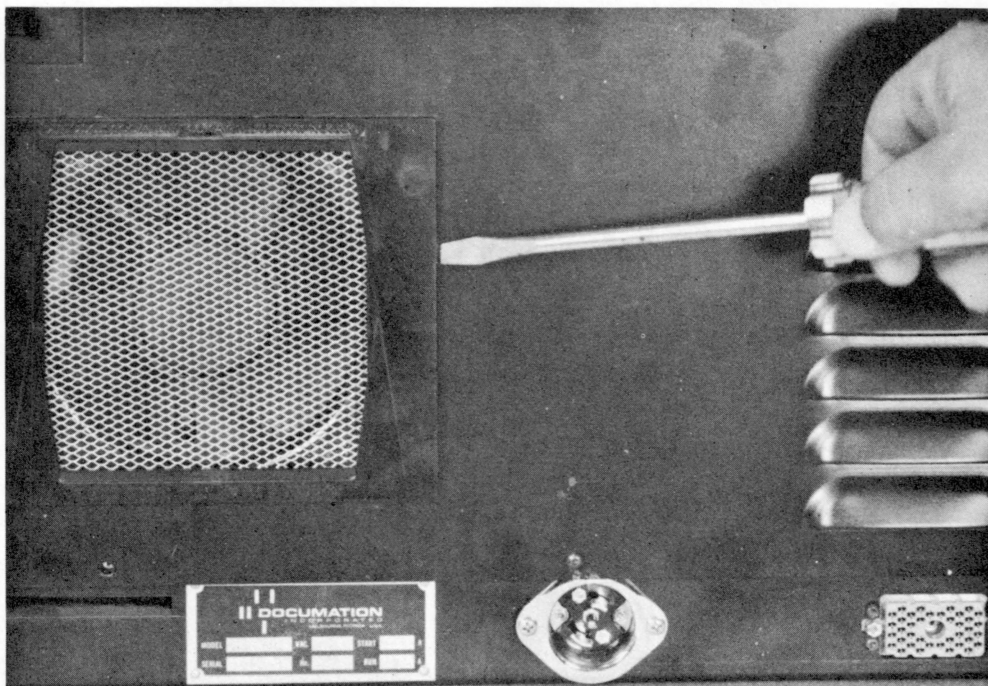


Figure 18. Removal of Fan Screen

No. 2 lubricant to each of the three roller grease points (figure 19). A lubricant kit is available from Ledex Inc., Dayton, Ohio (Part No. 124048-001) or from Documation, Incorporated.

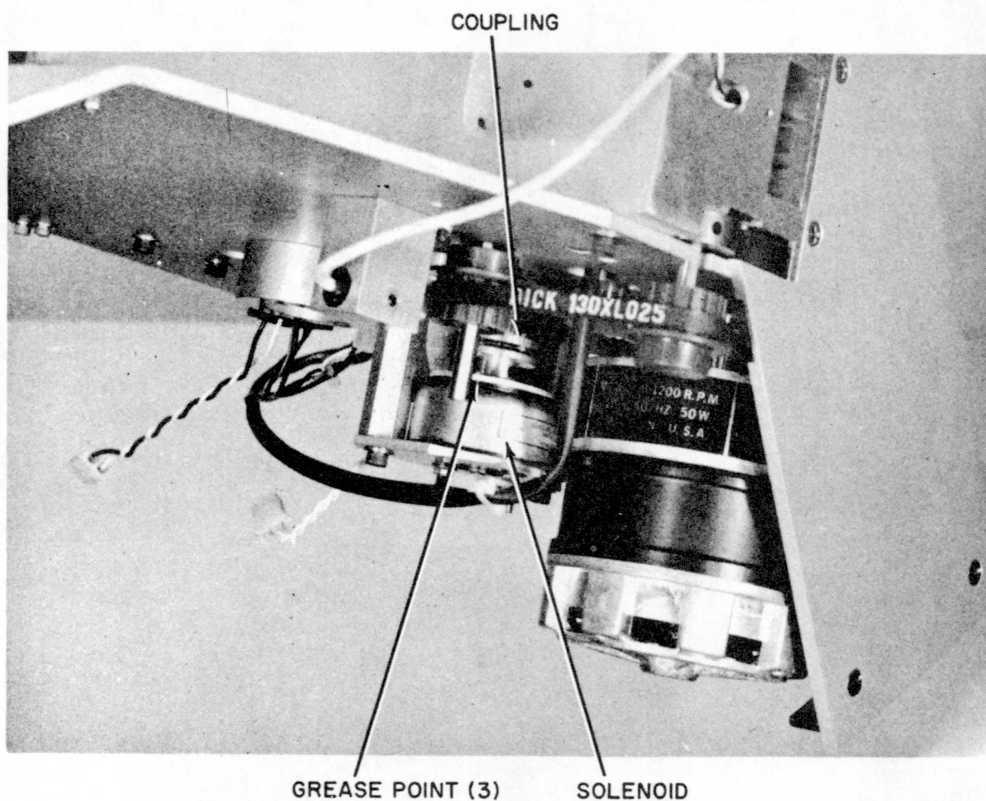


Figure 19. Solenoid Lubrication

REPAIR

GENERAL

The following repair procedures detail step by step methods for those parts for which replacement may be required during the life of the reader. It is recommended that these procedures are followed closely and performed by a person familiar with tools, their use and assembly/disassembly techniques.

REPAIR PROCEDURES TABLE OF CONTENTS

<u>Title</u>	<u>Page No.</u>
1. Replacement of Hopper Empty Switch	41
2. Adjustment of Picker Sector Travel	41
3. Adjustment of Tension on Main Drive Motor Belt	41
4. Adjustment of Stacker Tray Spring	44
5. Stacker Shaft Support-Bearing Replacement	44
6. Replacement of Belt on Vacuum Pump Motor Assembly	46
7. Replacement of Main Drive Motor Belt	49
8. Replacement and Adjustment of Magnetic Pickup	52
9. Replacement of Solenoid	52
10. Replacement of Roller Bearings, Read Head or Light Station	55
11. To Replace Roller Assembly Bearings	57
12. To Replace Read Head	58
13. To Replace Light Station	58
14. Replacement of Picker	60
15. Replacement of Stacker Full Switch	61
16. Replacement of Stacker Photocell	61

REQUIRED TOOLS

The following tools are required to perform assembly/disassembly on the M Series Card Readers.

Description	Manufacturer and Part Number of Special Tools
1/16" - Allen Screwdriver	
3/32" - Allen Wrench (long arm)	
5/64" - Allen Wrench (long arm)	
7/64" - Allen Wrench (long arm)	
1/8" - Allen Wrench (long arm)	
9/64" - Allen Wrench (long arm)	
.050" - Allen Wrench (short arm)	
1/16" - Allen Wrench (short arm)	
AMP Extraction Tool	AMP 91022-1
"AMP Leaf Contact" Extraction Tool	AMP 465195-2 or 465275-1
"AMP Modified Fork" Contact Extraction Tool	AMP 91037-2
"AMP Mod IV" Contact Extraction Tool	AMP 91029-1A
Deutsch Insertion/Extraction Tool (mounted on base plate)	NAS 1664-16
Elco Extraction Tool	Elco 061877-02
Elco Insertion Tool	Elco 061742-04
Feeler Gauge Set 0.0015" thru 0.025"	
Flat Nose Pliers	
Knife Blade - 2 1/2" blade	
Medium Flat Blade Screwdriver 3" long	
Medium Flat Blade Screwdriver 6" long	
6" Metal Scale, decimal/fraction per inch	
1/4" - Open End or Socket Wrench	
11/32" - Open End or Socket Wrench	
7/16" - Open End or Socket Wrench	
#1 Phillips Screwdriver 6" long	
#2 Phillips Screwdriver 6" long	
Printed Circuit Card Extender	Documation P/N 1040405
#2 Retaining Ring Remover	
Side Cutter	
Solder Removal Tool	
60-watt Soldering Iron	
32-oz. Spring Scale	

REPLACEMENT OF HOPPER EMPTY SWITCH

1. Using a flat blade screwdriver or a 5/64 Allen wrench, LOOSEN five DZUS fasteners or remove five 6 x 32 button head screws (1) retaining top cover, figure 20.
2. Lift top cover sufficiently to reveal the control panel connector, figure 22, and disconnect the control panel connector. The top cover may now be removed.
3. Using a 3/32 Allen wrench, remove two socket head screws holding riffle cap, figure 22.
4. Remove two leads from hopper empty switch, figure 22.
5. Using a 1/16 Allen wrench, remove two button head screws holding switch, figure 22.
6. Replace switch and adjust so that microswitch is mechanically activated with card in hopper and disengaged with hopper empty.
7. Reassemble in reverse order of disassembly.

ADJUSTMENT OF PICKER SECTOR TRAVEL

1. Perform steps 1 and 2 of Replacement of Hopper Empty Switch Procedure.
2. Using a 5/64 Allen wrench, LOOSEN two 6 x 32 socket head screws (2) holding picker stop, Figure 22.
3. Adjust picker stop so that the rear edge of the last row of holes in picker sector is in a vertical line with the pick vacuum set screws' center-line, Figure 23. Tighten the two socket head screws holding the picker stop.
4. Using a 9/64 Allen wrench, LOOSEN the two 8 x 32 socket head screws (3) retaining the picker bumper, Figure 22.
5. Adjust the picker bumper so that a card picked by hand just makes contact with the first set of rollers. Tighten the two socket head screws holding the picker bumper.
6. Reassemble in reverse order of disassembly.
7. Using a Phillips screwdriver, LOOSEN the throat block screw and adjust throat block for .007" to .008" clearance between picker sector and throat block. Figure 23. Tighten throat block screw and check reader for proper pick action.

ADJUSTMENT OF TENSION ON MAIN DRIVE MOTOR BELT

1. Perform steps 1 and 2 of Replacement of Hopper Empty Switch Procedure.
2. Using a Phillips screwdriver, LOOSEN three main drive motor mounting screws (4), figure 22.

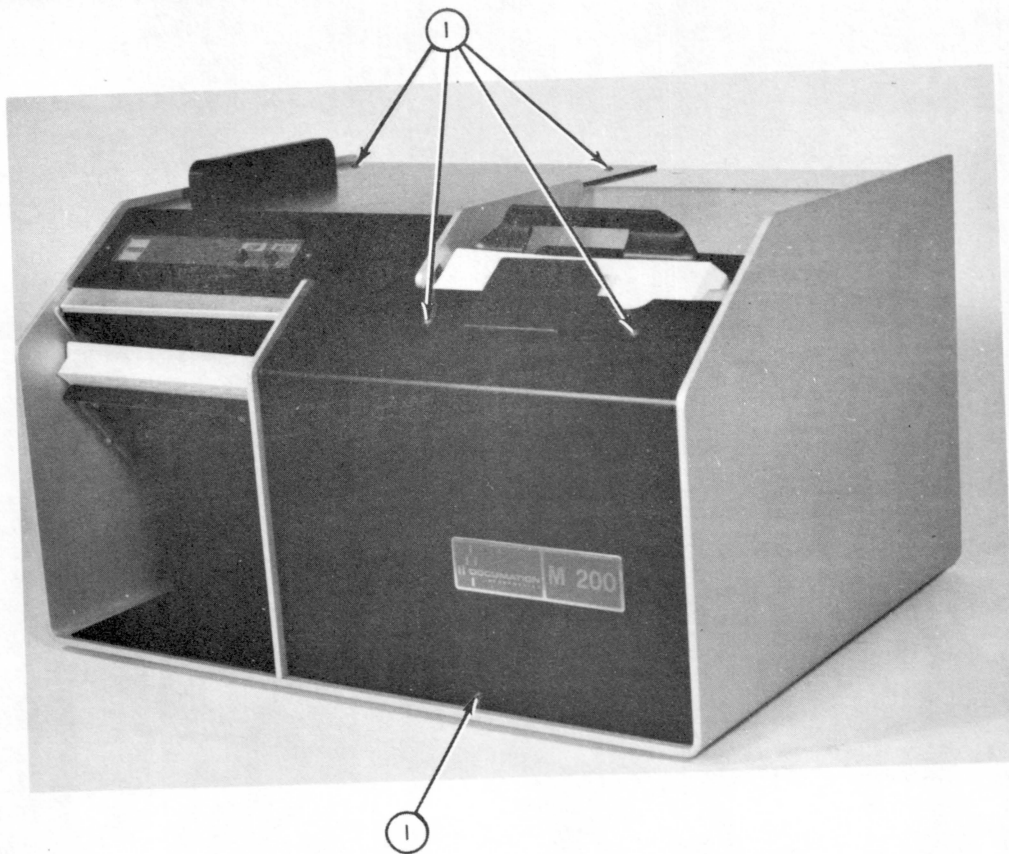


Figure 20. Three-Quarter Front View

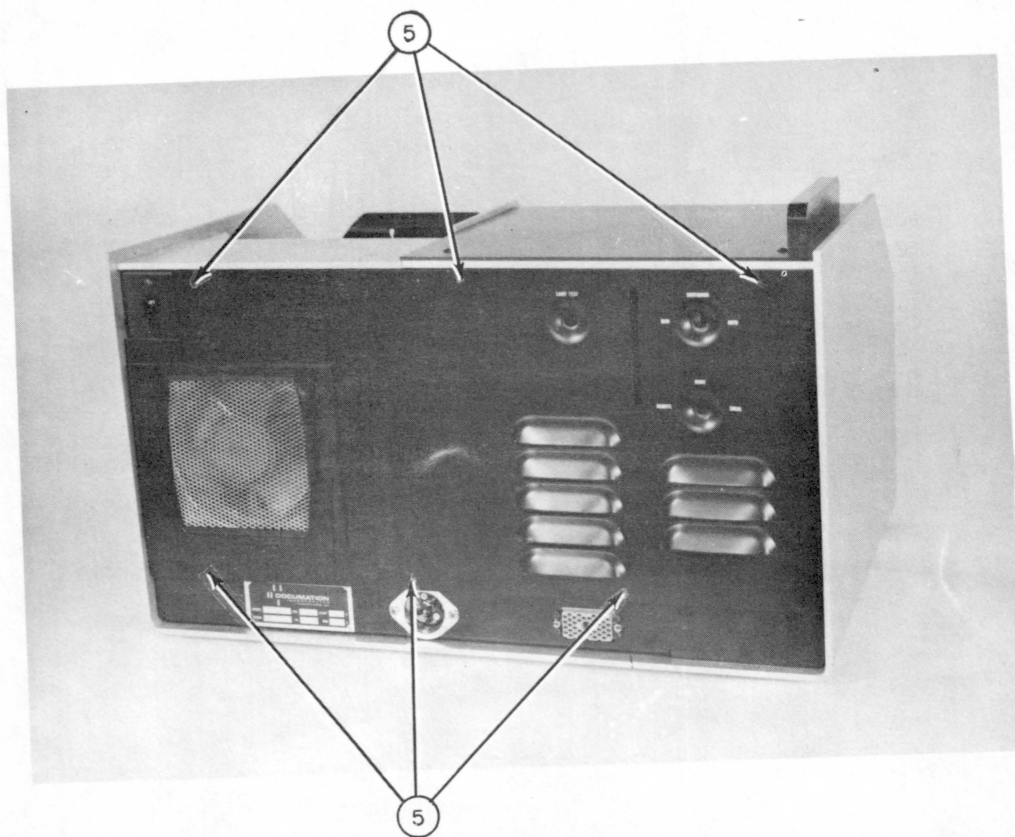


Figure 21. Three-Quarter Rear View

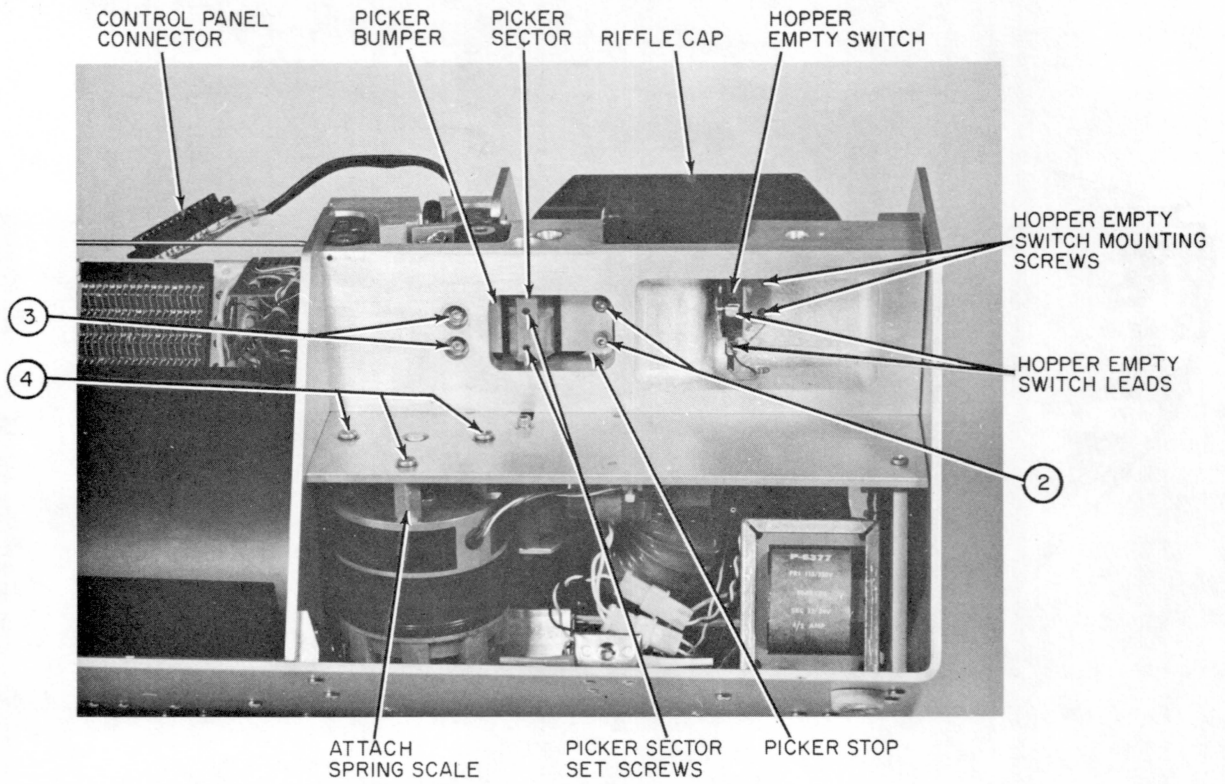


Figure 22. Partial Front View, Cover Removed



Figure 23. Picker Sector Adjustment

3. Attach a 32-ounce spring scale with a round hook end to the front main drive motor standoff, figure 22.

4. Apply 24-ounces of force to the motor standoff. This will apply the correct tension to the main drive motor belt.

5. With this force applied, tighten the three main drive motor mounting screws.

CAUTION

BELT TENSION IS A CRITICAL ADJUSTMENT;
EXERCISE CARE THAT TENSION IS CORRECT TO
PREVENT EXCESSIVE BELT AND MOTOR SHAFT
BEARING WEAR.

6. Readjust magnetic pickup using step 8 of Replacement and Adjustment of magnetic pickup.

7. Reassemble in reverse order of disassembly.

ADJUSTMENT OF STACKER TRAY SPRING

1. Perform steps 1 and 2 of Replacement of Hopper Empty Switch Procedure.

2. Locate stacker tray spring behind left side of stacker tray-facing reader.

Use the following guidelines to adjust the stacker tray spring:

3. The six holes in the spring plate may be termed the stacker tray rate adjustment. Generally, if the cards being read are heavy (very few punches), the spring will be placed in one of the holes toward the front of the plate. If the cards being read are light (many punches), the spring will be placed in one of the holes toward the rear of the plate. The spring is adjusted at the factory (as illustrated) for about 20-25% punch density or about 3 punches per column.

4. The four holes in the spring bracker may be termed the stacker tray preload adjustment. The spring should be placed in the bracket in a position which will allow sufficient clearance for the card to drop into the stacker tray and the tray then continue to load evenly and smoothly.

STACKER SHAFT SUPPORT - BEARING REPLACEMENT

1. Perform steps 1 and 2 of Replacement of Hopper Empty Switch Procedure.

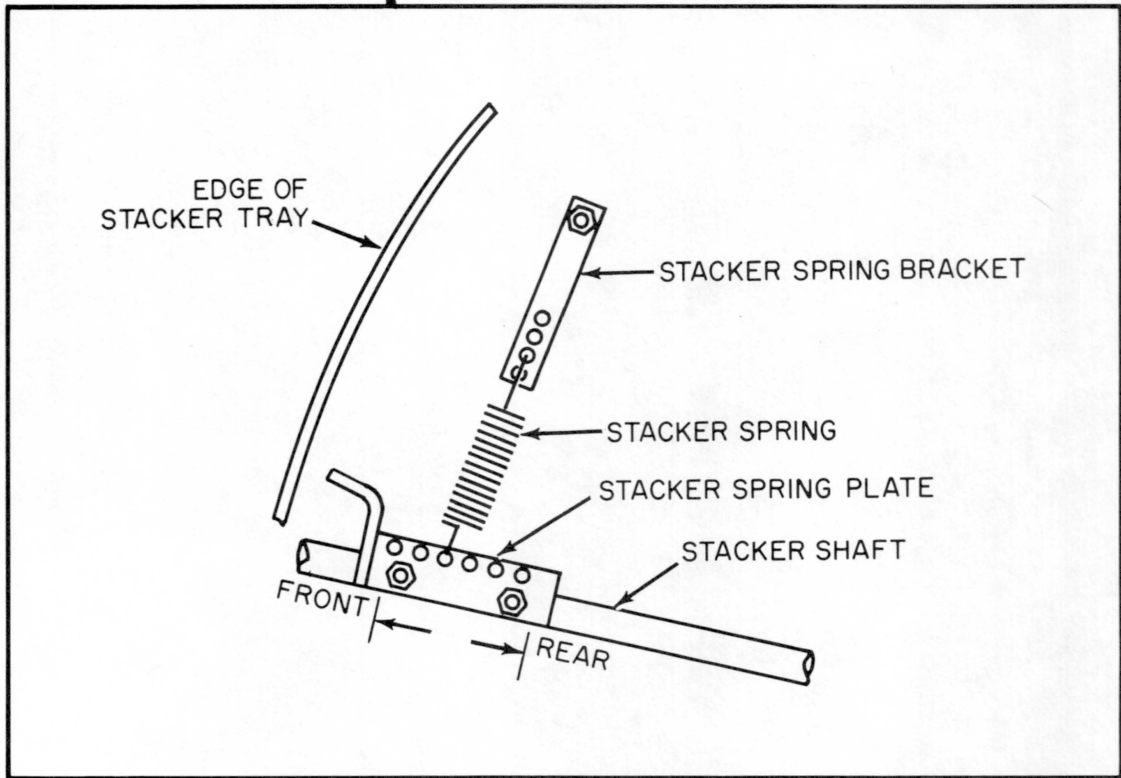
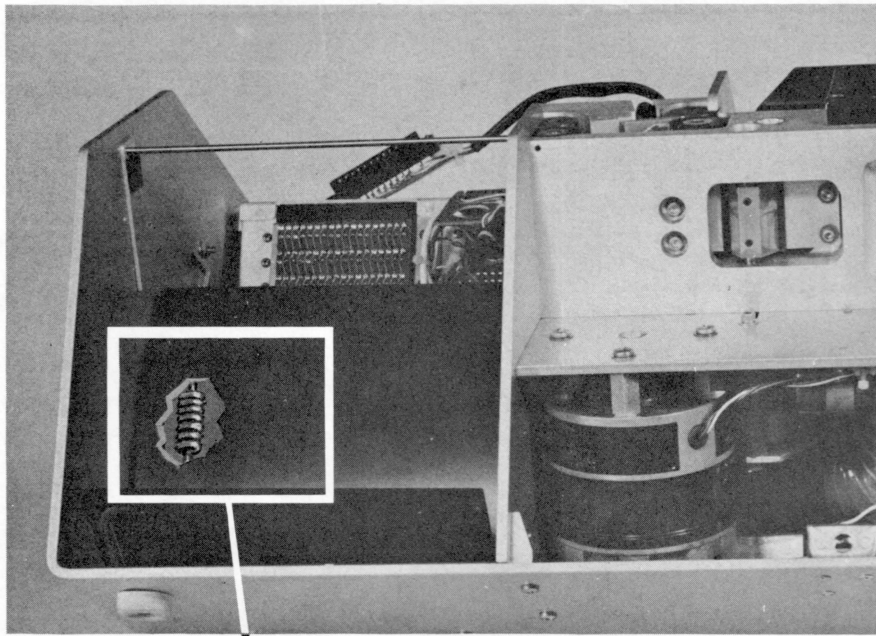


Figure 24. Partial Front View, Stacker Spring

2. LOOSEN eight DZUS fasteners (5) or remove six 6 x 32 button head screws holding rear panel, figure 2.
3. Disconnect fan motor connector and remove rear panel, figure 25.
4. Remove three 6 x 32 Phillips pan head screws (6) from bottom plate holding rear connector panel, figure 25.
5. Using a 5/16 Allen wrench, LOOSEN stacker shaft collar set screw, figure 26.
6. Remove two 8 x 32 pan head screws (7) from mainframe holding stacker shaft support casting, figure 26.
7. Move stacker shaft support casting to the rear and slide off shaft to the left.
8. Using an arbor press, remove and replace the two bearings in the stacker shaft support casting.
9. Reassemble in reverse order of disassembly making sure to replace collar on shaft when replacing casting.

REPLACEMENT OF BELT ON VACUUM PUMP MOTOR ASSEMBLY

1. Perform steps 1 through 4 of Stacker Shaft Support - Bearing Replacement.
2. Disconnect light station from power supply, figure 26.
3. Disconnect motor AC connector - located off cable on mainframe, figure 27.
4. Disconnect solenoid driver connector, figure 27.
5. Disconnect yellow lead from relay, figure 27.
6. Lift rubber protective cover from capacitor and remove red and blue leads from capacitor, figure 27.
7. Remove hopper empty switch leads, figure 22.
8. LOOSEN vacuum hose clamp screw and remove hose from main mounting plate, figure 27.
9. LOOSEN vacuum adapter clamp screw and lift adapter out of pump, figure 25.
10. Remove read head connector from card cage, figure 34.
11. Remove three 8 x 32 Phillips pan head screws (8), one from main mounting plate, and two from under mainframe, figure 28.
12. Remove two 8 x 32 flat head screws (9) from top of main mounting plate, figure 28.
13. Remove the main mounting plate and lay to one side.
14. Remove screw holding ground strap to subframe, figure 26.

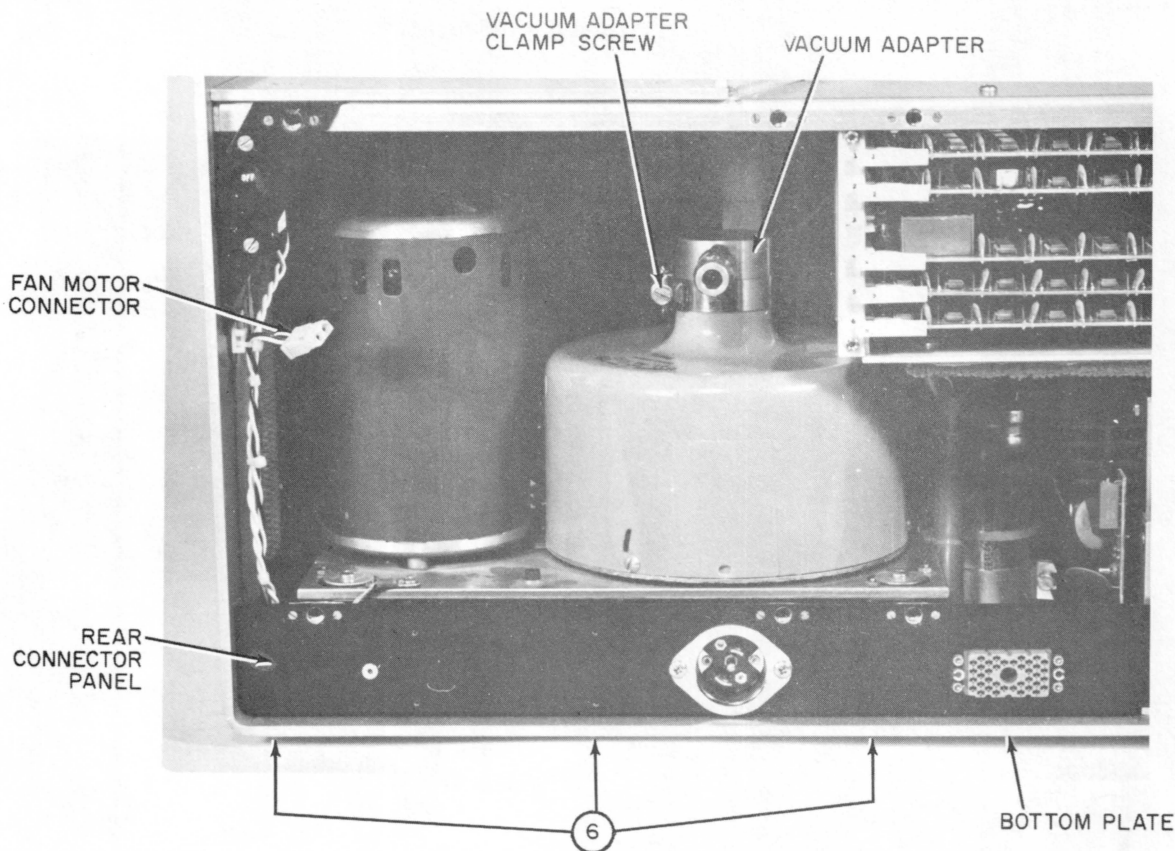


Figure 25. Rear View, Cover Removed

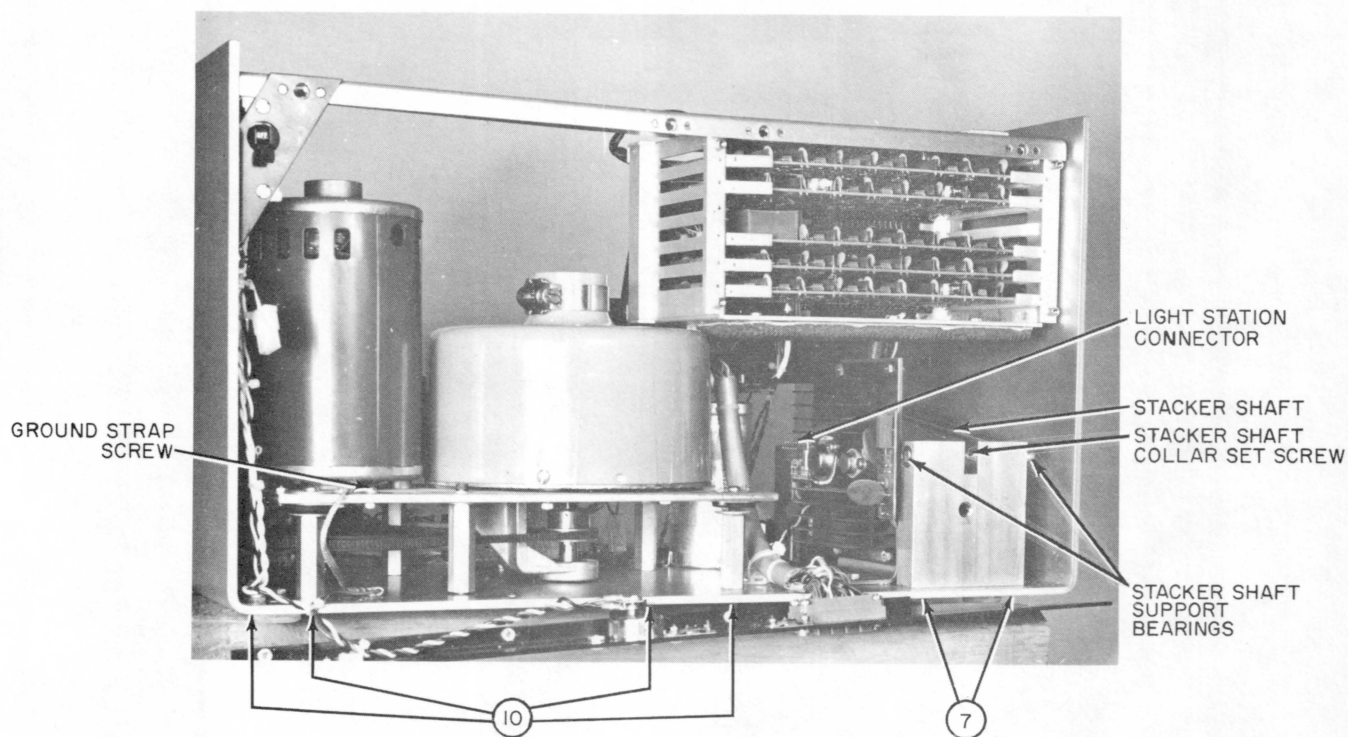


Figure 26. Rear View, Cover and Rear Connector Panel Removed

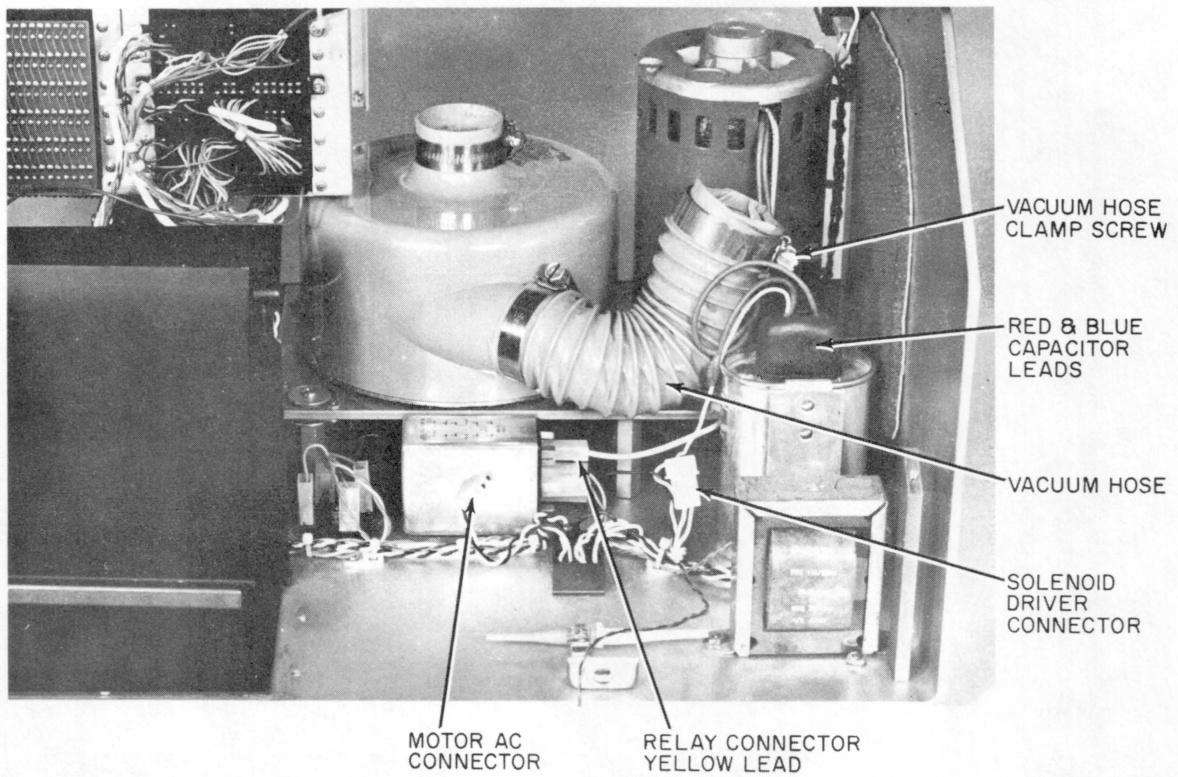


Figure 27. Front View, Main Wiring Connections

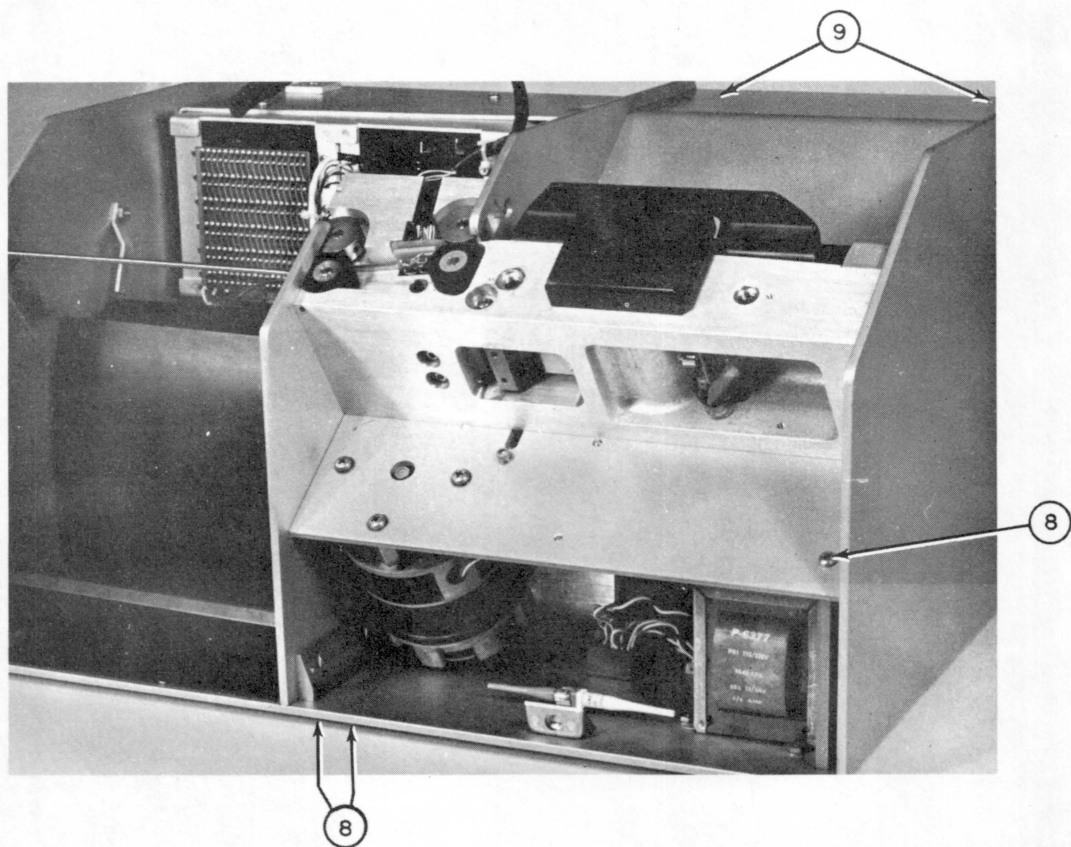


Figure 28. Front View, Main Mounting Plate Removal

15. Remove four Phillips head screws (10) located on underside of mainframe, figure 26.
16. The vacuum pump motor assembly may now be removed from the card reader.
17. LOOSEN the three hex bolts (11) holding the vacuum pump in place, figure 29.
18. Replace vacuum pump belt, figure 29.
19. Using a spring scale, adjust vacuum pump for a belt tension of 4-6 ounces. This is about 3/64" belt deflection, figure 29.
20. With the appropriate belt tension applied, tighten the three hex vacuum pump mounting bolts, figure 29.
21. Reinstall the vacuum pump assembly into the card reader in reverse order of disassembly.

REPLACEMENT OF MAIN DRIVE MOTOR BELT

1. It is necessary to remove the main mounting plate for this repair. Perform steps 1 through 13 of Replacement of Belt on Vacuum Pump Motor Assembly.
2. Using a Phillips screwdriver, remove three main drive motor mounting screws (4), figure 22. If the belt was not broken, there should now be sufficient slack to slip the belt over the motor pulley and remove the motor.
3. Using a 5/64 Allen wrench, LOOSEN one 8 x 32 set screw in timing disk, figure 30.

CAUTION

REMOVE TIMING DISK USING EXTREME CARE
NOT TO DAMAGE THE TEETH ON DISK. WRAP
DISK IN SOFT TISSUE WHILE NOT IN THE READER.

4. Replace the main drive motor belt over the timing disk pulley and the roller pulley and motor shaft pulley in that order.
5. Replace the belt over the motor shaft pulley, replace the motor in its mounting position, and then replace the motor mounting screws but DO NOT tighten.
6. Perform steps 3 through 5 of Adjustment of Tension on Main Drive Motor Belt.
7. Replace timing disk on shaft and line up teeth on timing disk with tip on magnetic pickup. Using a feeler gauge, check for .007 to .008 clearance

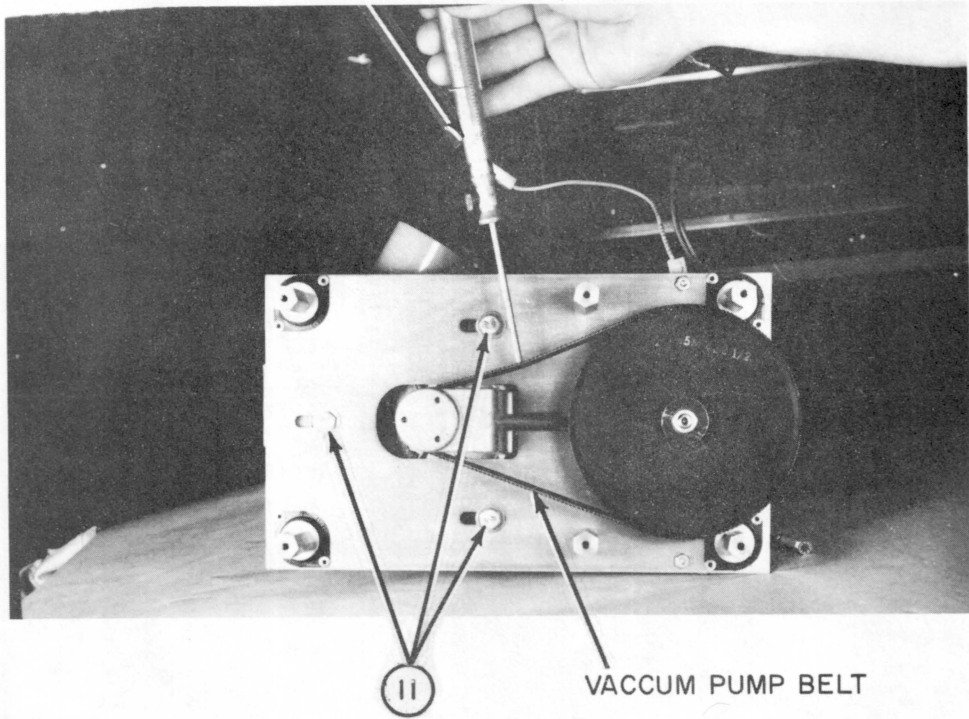


Figure 29. Vacuum Pump Belt Adjustment

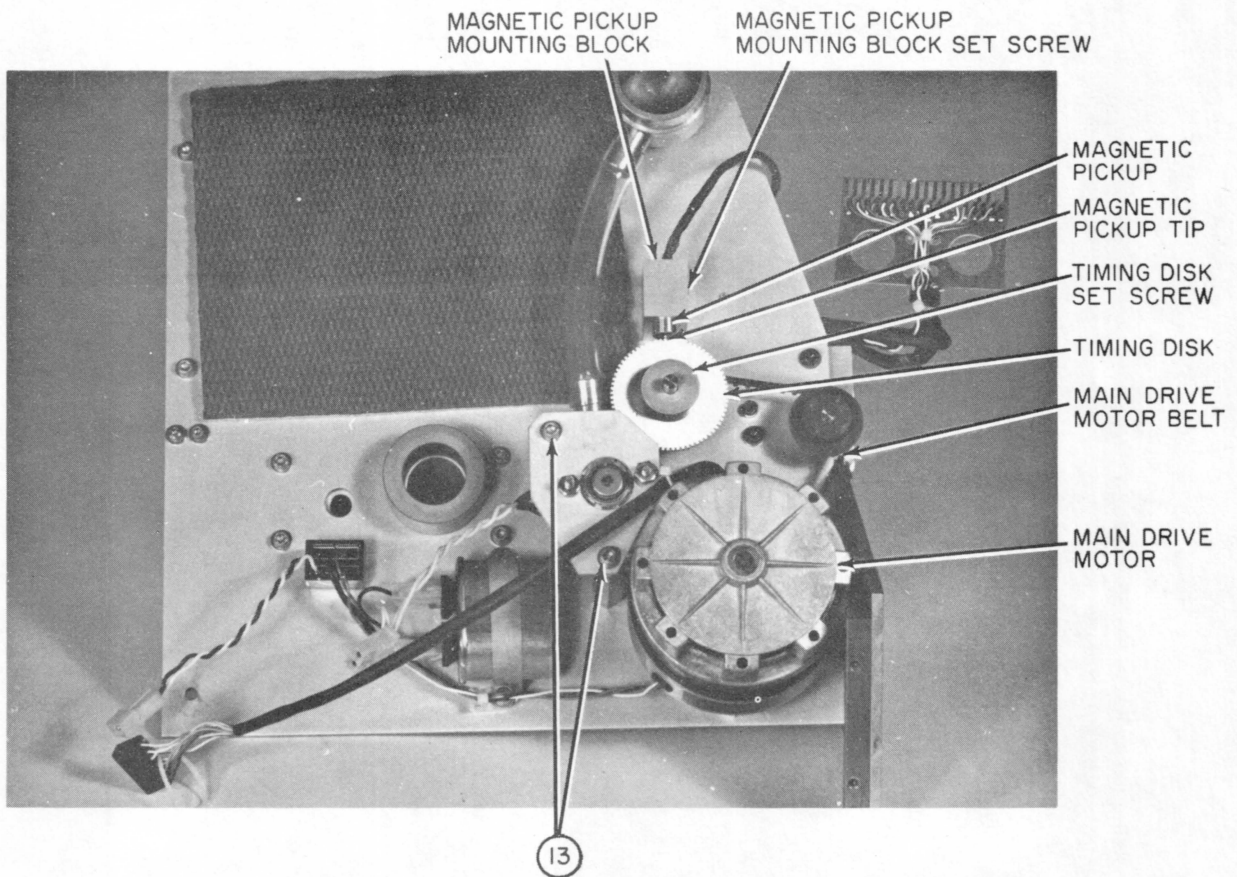


Figure 30. Bottom View, Main Mounting Plate

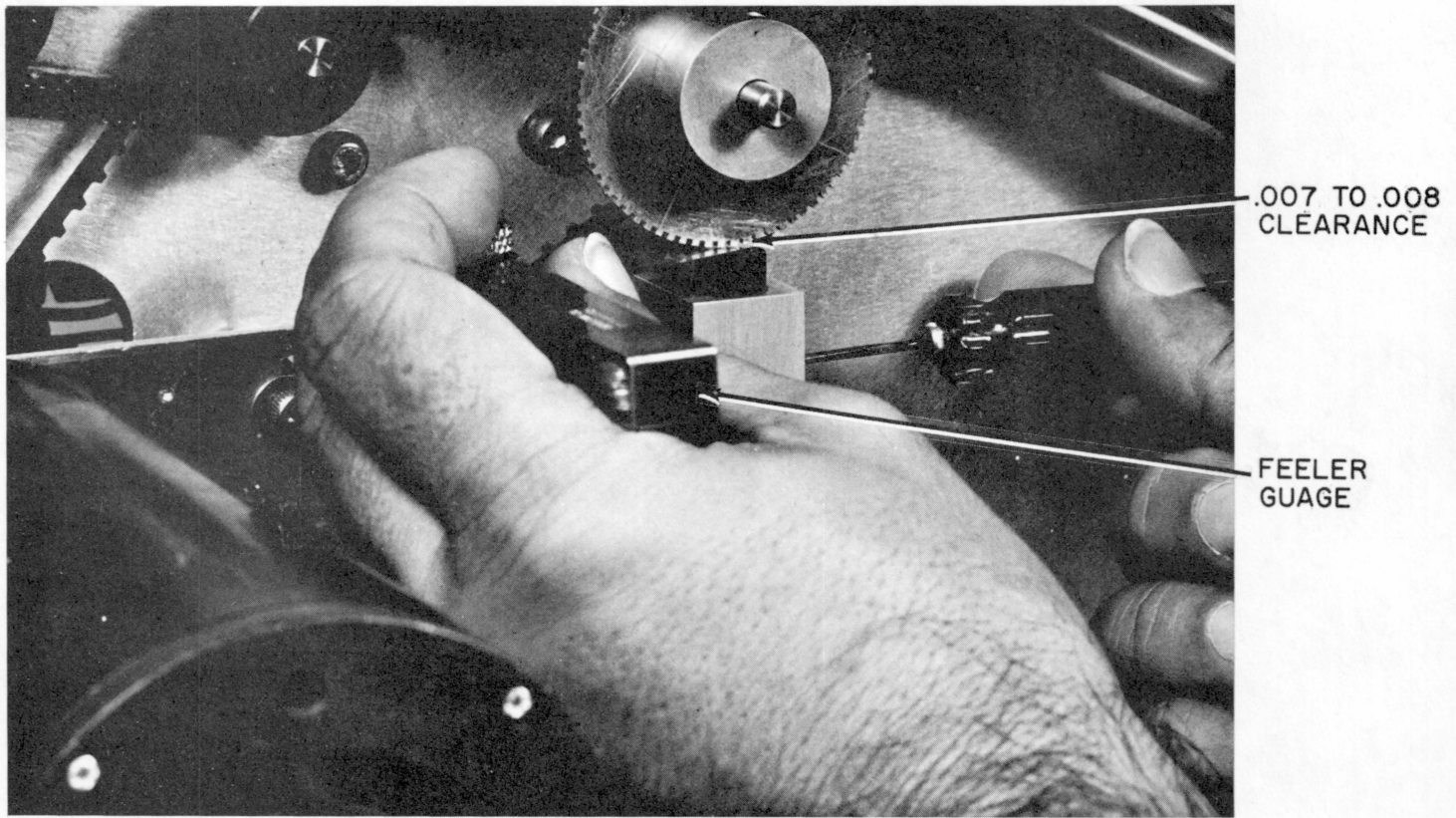


Figure 31. Timing Disc Air-gap Adjustment

between timing disk teeth and magnetic pickup tip. If out of clearance, perform step 8 of Replacement and Adjustment of Magnetic Pickup, figure 31.

NOTE

Before tightening timing disk set screw, check to make sure timing disk teeth are precisely in a horizontal plane with the magnetic pickup tip.

8. Reassemble card reader in reverse order of disassembly.

REPLACEMENT AND ADJUSTMENT OF MAGNETIC PICKUP

1. It is necessary to remove the main mounting plate for this repair. Perform steps 1 through 13 of Replacement of Belt on Vacuum Pump Motor Assembly.
2. Using a 1/16 Allen wrench, LOOSEN set screw in magnetic pickup mounting block, figure 30.
3. Remove magnetic pickup from mounting block, figure 30.
4. Unwrap the read head connector cable to free the magnetic pickup cable.
5. Unsolder wires from pins J, K and L on the read head connector, figure 34.
6. Solder the new magnetic pickup wires to the read head connector and rewrap the read head connector cable.
7. Insert the new pickup unit into the mounting block.
8. Using a feeler gauge, adjust spacing between timing disk teeth and tip of pickup unit for .007 to .008, figure 31.
9. Reassemble card reader in reverse order of disassembly.

REPLACEMENT OF SOLENOID

1. It will be necessary to remove the main mounting plate for this repair. Perform steps 1 through 13 of Replacement of Belt on Vacuum Pump Motor Assembly.
2. Remove solenoid spring from spring post and arm stud, figures 32 and 33.
3. Using a .050 or 1/16 Allen wrench, LOOSEN two set screws in the top solenoid coupling, figure 33.
4. Using a 9/64 Allen wrench, remove two 8 x 32 socket head screws (13) holding solenoid mounting plate, figure 33. Remove solenoid.

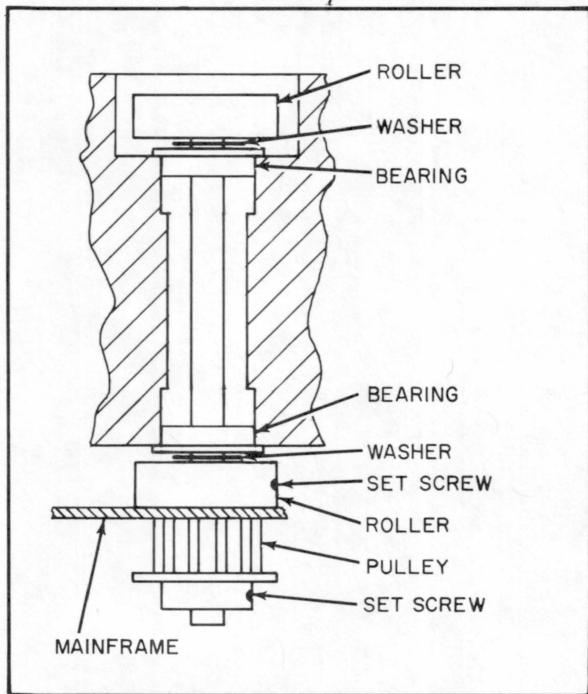
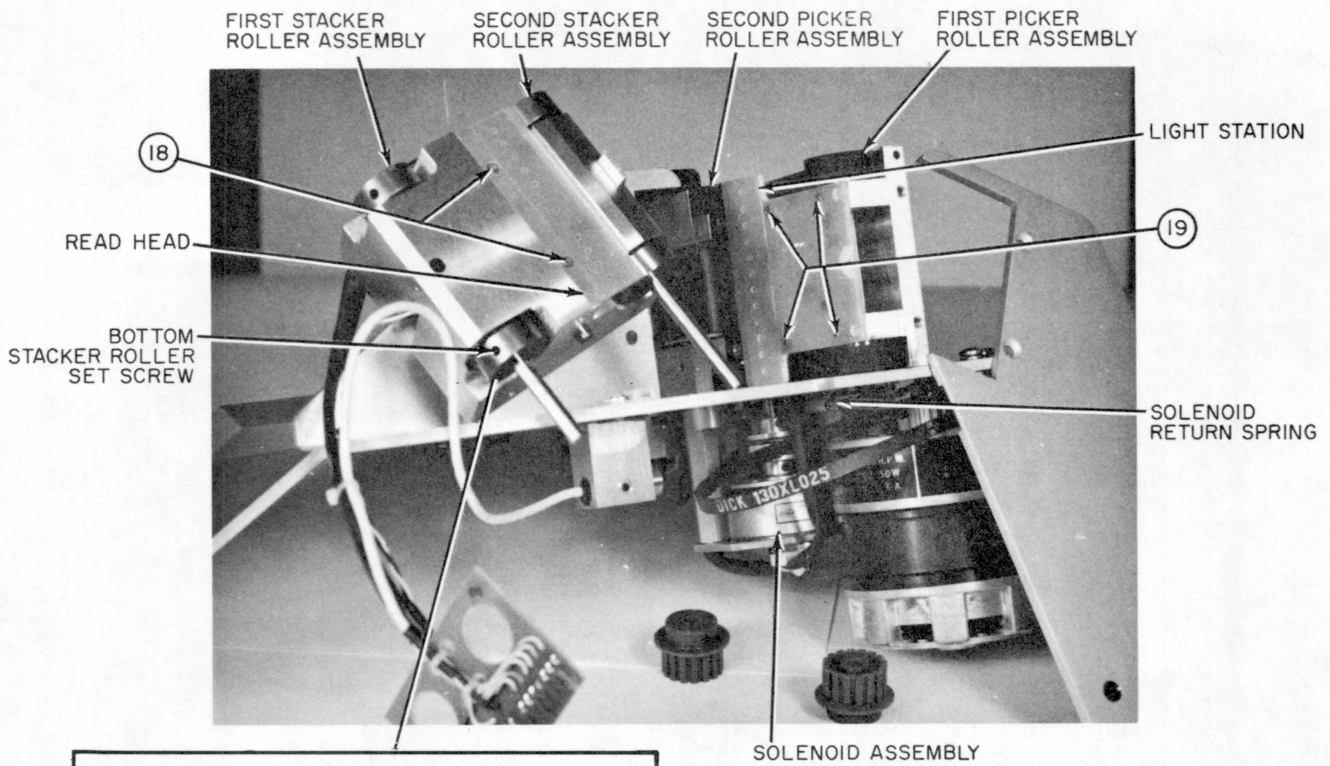


Figure 32. Stacker Casting Removal and Bearing Replacement

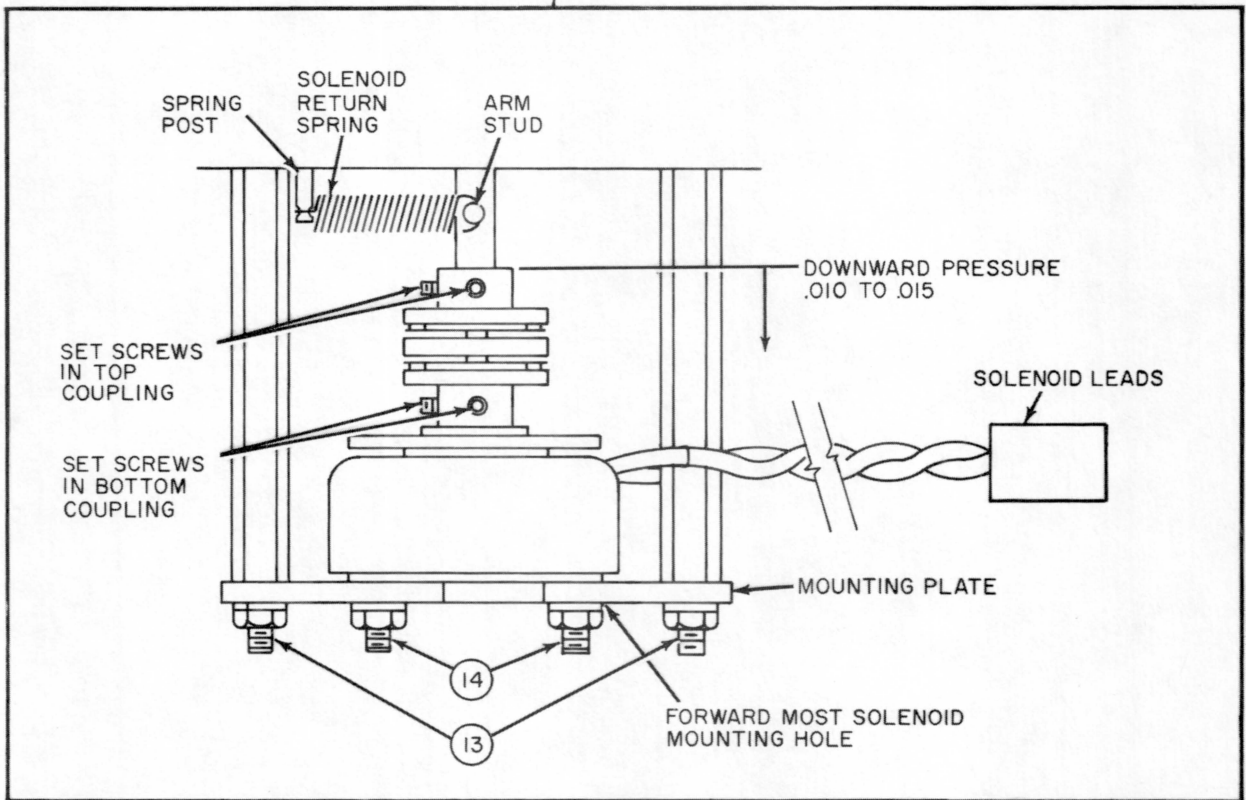
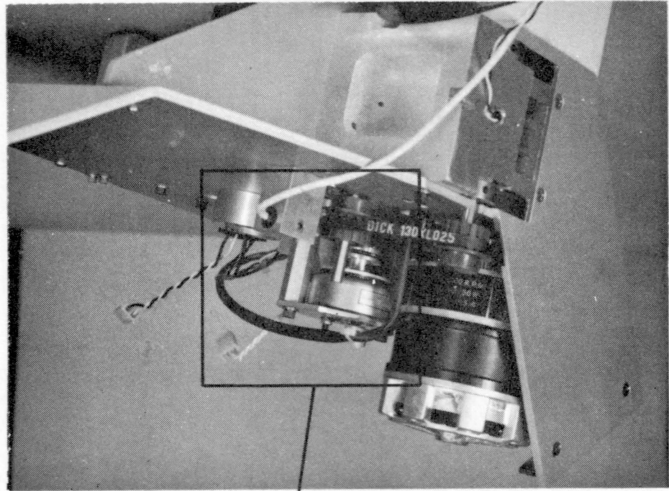


Figure 33. Solenoid Replacement and Adjustment

5. Using an 11/32 hex wrench, remove two 8 x 32 mounting nuts (14) , figure 33.

6. Using a .050 or 1/16 Allen wrench, LOOSEN two set screws retaining the coupling on the solenoid shaft. Remove coupling, figure 33.

NOTE

Remove the set screws from the coupling and replace using LOCKTITE GRADE C. All operational and mounting hardware, with the exception of panel screws, should be replaced using LOCKTITE GRADE C.

7. Replace the coupling locating the bottom coupling set screws on the two flat sides of the shaft, figure 33.

8. Tighten the bottom coupling set screws and replace the solenoid on the mounting plate making sure holes are in the proper position, with wires extending from the LEFT side, as viewed from the bottom of the main mounting plate.

9. Replace solenoid on mounting posts.

10. Replace the solenoid return spring between the spring post and the arm stud, figure 33.

11. Preload the solenoid coupling by pressing downward .010 to .015 and tighten the top coupling set screws, figure 33.

NOTE

The solenoid will turn as the set screws are tightened to the flat sides of the shaft. This is a natural built in alignment. This alignment prevents the solenoid from bottoming-out during operation.

12. Reassemble reader in reverse order of disassembly.

REPLACEMENT OF ROLLER BEARINGS, READ HEAD OR LIGHT STATION

NOTE

Use the following ten procedures to remove the stacker casting. This casting must be removed to accomplish any of the above three repairs.

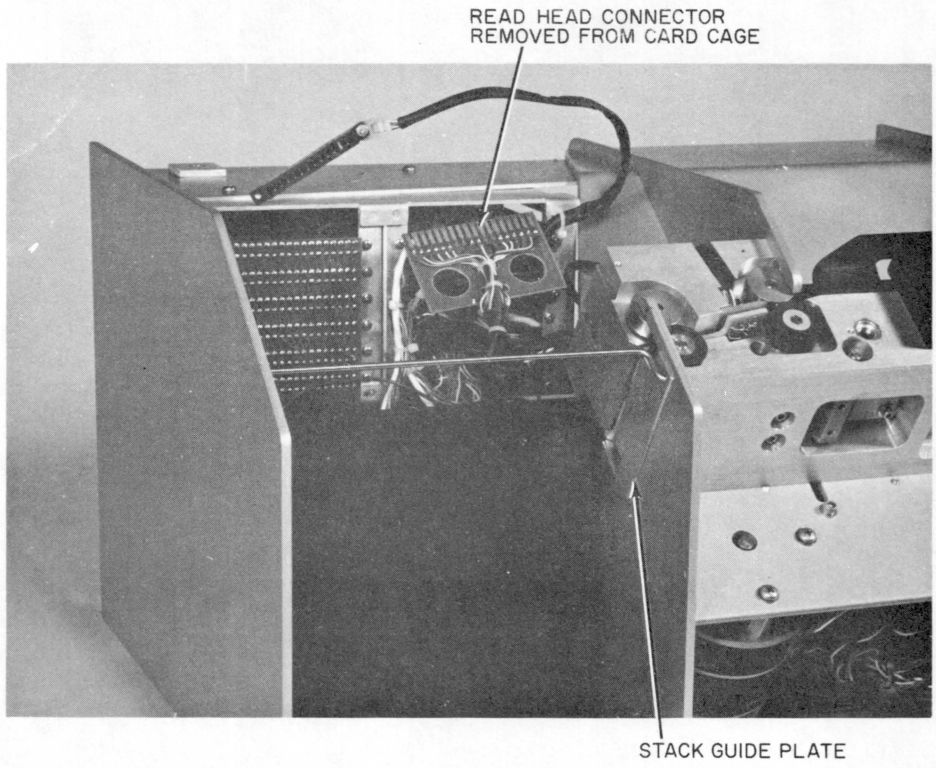


Figure 34. Top View Casting Assemblies

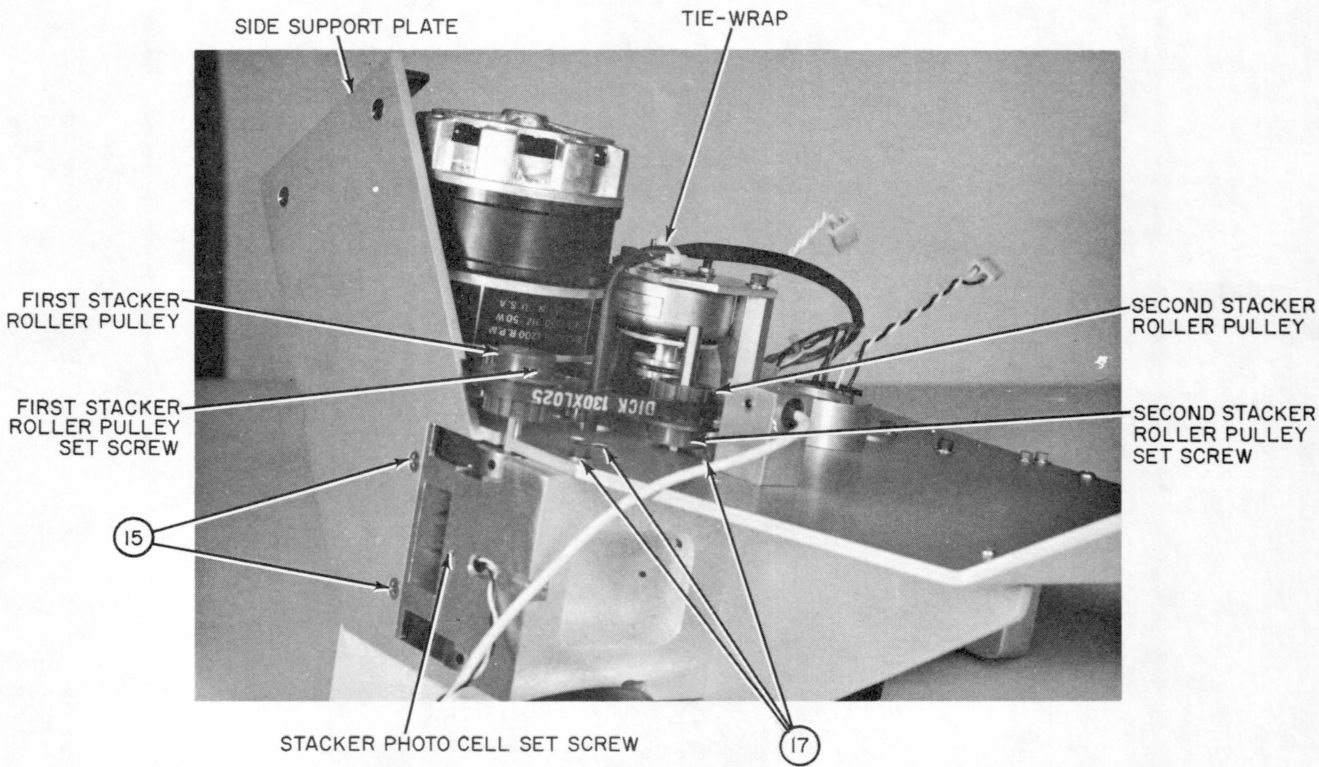


Figure 35. Bottom View Main Drive Motor Assembly

1. It will be necessary to remove the main mounting plate for these repairs. Perform steps 1 through 13 of Replacement of Belt on Vacuum Pump Motor Assembly.

2. Using a flat blade knife, remove stack guide plate, figure 34.

3. Remove two 8 x 32 Phillips flat head screws (15) holding side support plate, figure 35.

4. Remove two 8 x 32 Phillips screws (16) from input hopper wall, figure 23.

5. LOOSEN three Phillips screws (4) holding main drive motor, figure 22.

6. Using a 5/64 Allen wrench, LOOSEN set screw in timing disk. Remove timing disk, figure 30.

7. Remove main drive motor belt, figure 30.

8. Using a 3/32 Allen wrench, LOOSEN the set screws in the two stacker nylon pulleys, figure 35. Remove pulleys.

9. Cut nylon tie-wrap on solenoid mounting plate, holding light station cable, figure 35.

10. Using a 9/64 Allen wrench, remove three 8 x 32 socket head screws (17) holding stacker casting, figure 35. Lay stacker casting to one side.

TO REPLACE ROLLER ASSEMBLY BEARINGS

1. Using a 1/16 Allen wrench, LOOSEN the set screw in the bottom roller of the assembly to be removed. Remove roller, figure 32.

NOTE

The second picker roller has a split shaft. LOOSEN the set screw in the top or bottom roller. The shaft of either may then be removed from the center of the casting, figure 32.

2. Remove bottom bearing spacer washer from shaft, figure 32.

3. Lift shaft straight up out of casting. Note there is another spacer washer between the top roller and the bearing seat, figure 32.

4. Using a knife blade, pry out top or bottom bearing to be replaced.

NOTE

The bearings are a loose pressfit into the casting. If the bearings appear difficult to remove, use a slender tool such as a small Allen screwdriver and tap the EDGE of the bearing from the inside of the shaft hole.

5. Reassemble in reverse order of disassembly, making sure spacer washers are installed between top and bottom rollers and bearing seats.

6. Apply firm finger pressure between the top and bottom rollers and tighten set screw in the bottom roller. Check that there is NO VERTICAL PLAY in the shaft after tightening the roller set screws.

7. When replacing the nylon pulleys, make sure set screw is on the flat side of the shaft, and that the pulley flange is oriented correctly, figure 35.

CAUTION

USING MODERATE TORQUE, TIGHTEN PULLEY SET SCREWS.
DO NOT OVERTORQUE OR DAMAGE WILL RESULT TO PULLEY.

8. Re-install stacker casting onto main mounting plate. To insure pressure between the stacker and picker rollers, squeeze the stacker casting and picker casting together with hand pressure when tightening the three 8 x 32 socket head screws (17) holding the stacker casting, Figure 35. After tightening, check pinch between rollers. The steel roller should cause a slight depression onto the rubber rollers.

9. Perform step 8 of Replacement and Adjustment of Magnetic Pickup, page 52.

10. Perform step 21, page 61, of Replacement of Picker.

TO REPLACE READ HEAD

1. Remove two 4-40 x $\frac{1}{4}$ flat head Phillips screws (18) to remove read head, figure 32.

2. Install new read head and replace read head connector in card cage when installing main mounting plate, figure 34.

TO REPLACE LIGHT STATION

1. Remove four 2-56 x $\frac{1}{4}$ flat head Phillips screws (19) to remove light station, figure 32.

2. Remove nylon tie-wrap from solenoid mounting plate, figure 35.

3. Install new light station and replace tie-wrap on solenoid mounting plate.

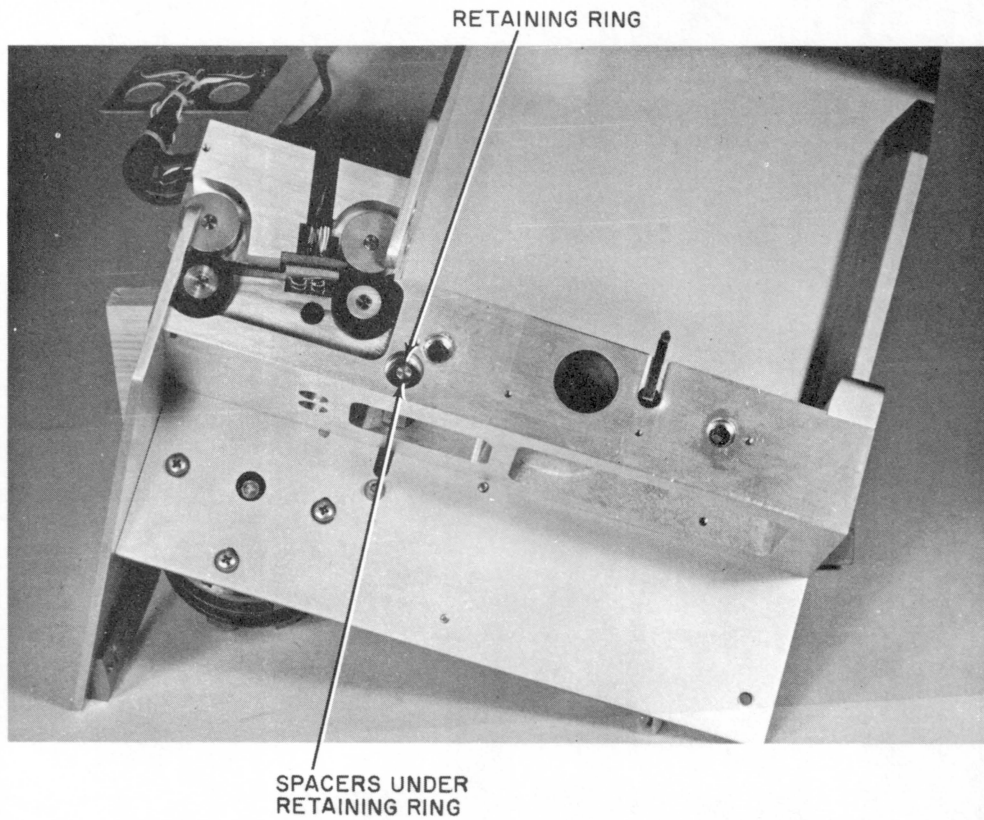


Figure 36. Top View Stacker Casting Assembly

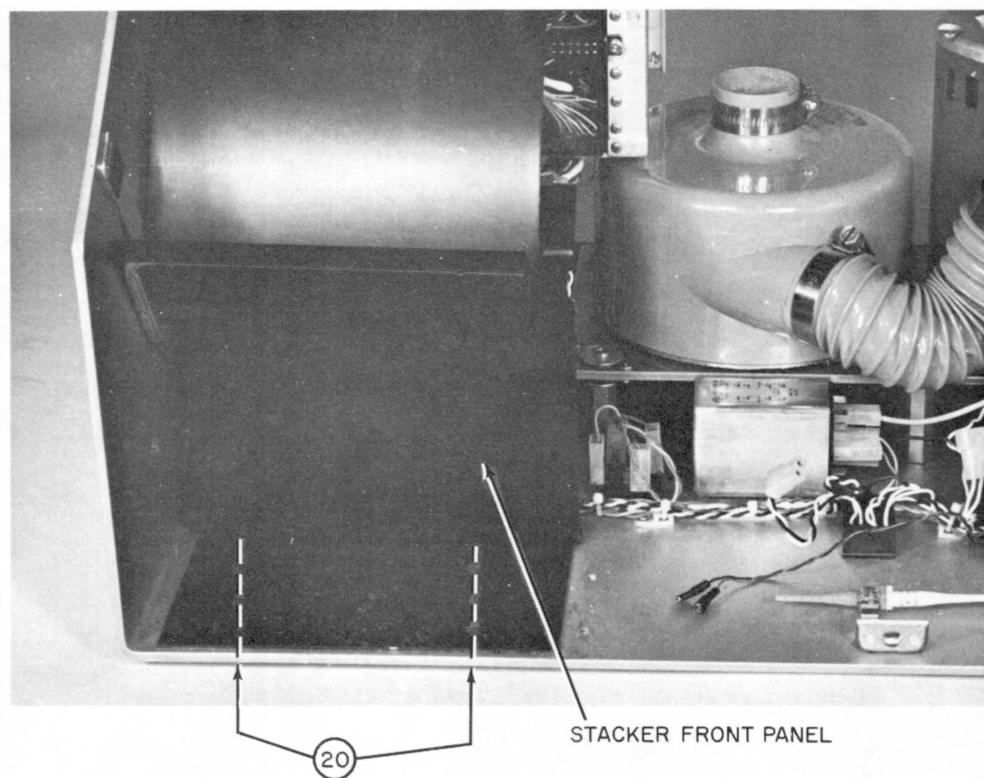


Figure 37. Stacker Panel Removal

4. Reinstall stacker casting onto main mounting plate in reverse order of disassembly.

5. Plug light station connector into power supply when installing main mounting plate, figure 26.

REPLACEMENT OF PICKER

1. It is necessary to remove the main mounting plate for this repair. Perform steps 1 through 13 of Replacement of Belt on Vacuum Pump Motor Assembly.

2. Remove solenoid return spring from spring post and arm stud, figure 33.

3. Using a .050 or 1/16 Allen wrench, LOOSEN two set screws in the top solenoid coupling, figure 33.

4. Using a 9/64 Allen wrench, remove two 8 x 32 socket head screws (13) holding solenoid mounting plate, figure 33.

5. Remove solenoid assembly.

6. Using a #2 retaining ring remover tool, remove the retaining ring from the top of the picker shaft, figure 36.

7. Remove spacers located under the retaining ring, figure 36.

CAUTION

ALL OF THE SPACERS MUST BE REPLACED
IN REASSEMBLY.

8. Using a 5/64 Allen wrench, LOOSEN two set screws holding picker sector, figure 22.

9. Remove picker shaft from bottom of main mounting plate.

10. Using a Phillips screwdriver, remove throat block, figure 23.

11. Remove picker sector from rear side of picker casting, figure 23.

12. Replace picker sector, shaft, spacers and retaining ring.

13. Adjust shaft to place sector set screws on flat side of shaft.

14. Using a 6" metal ruler, measure 1.625" from the main mounting frame up to the center row of holes on the picker sector, figure 23.

15. Retaining this measurement, tighten the two picker sector set screws, figure 22.

16. Using a .050 Allen wrench, LOOSEN the pick vacuum set screw, figure 23.

17. Using a feeler gauge, adjust clearance between pick vacuum tube plate and picker sector for .002 or .003. Tighten pick vacuum set screw, figure 23.

18. Check sector travel using procedure for adjustment of Picker Sector travel.

19. Replace solenoid and adjust top solenoid coupling using step 11 of Replacement of Solenoid. Replace return spring, figure 33.

20. Replace throat block but do not tighten set screw, figure 23.

21. Using a feeler gauge, adjust pick throat for a clearance of .007 to .008 between throat block and picker sector and tighten screw, figure 23.

22. Reassemble reader in reverse order of disassembly.

REPLACEMENT OF STACKER FULL SWITCH

1. Perform steps 1 and 2 of Replacement of Hopper Empty Switch.

2. Remove two 6 x 32 Phillips screws (20) from bottom of mainframe holding stacker front panel, figure 37.

3. Remove wires from switch, remove and replace switch, figure 38.

4. Check to make sure switch is mechanically activated when stacker tray is almost full.

5. Reassemble reader in reverse order of disassembly.

REPLACEMENT OF STACKER PHOTOCELL

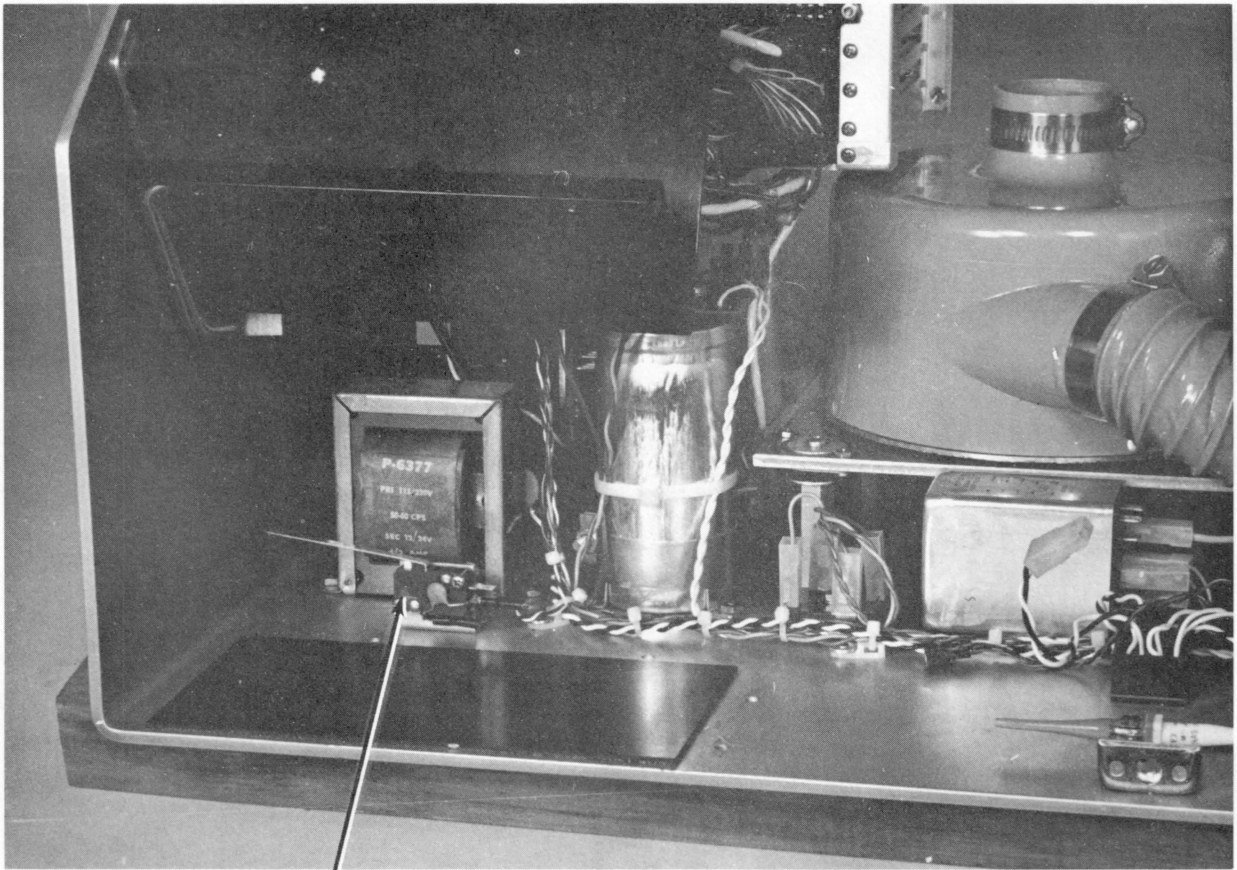
1. Perform steps 1 and 2 of Replacement of Hopper Empty Switch.

2. Using a 1/16 Allen screwdriver, LOOSEN set screw in stacker casting holding stacker photocell, figure 35.

3. Remove photocell from casting, figure 35, and tag black and white wires from photocell.

4. Replace photocell, align photocell flush with stacker casting faceplate, and tighten photocell set screw, figure 35. Replace leads.

5. Reassemble reader in reverse order of disassembly.



STACKER FULL SWITCH

Figure 38. Stacker Full Switch Replacement

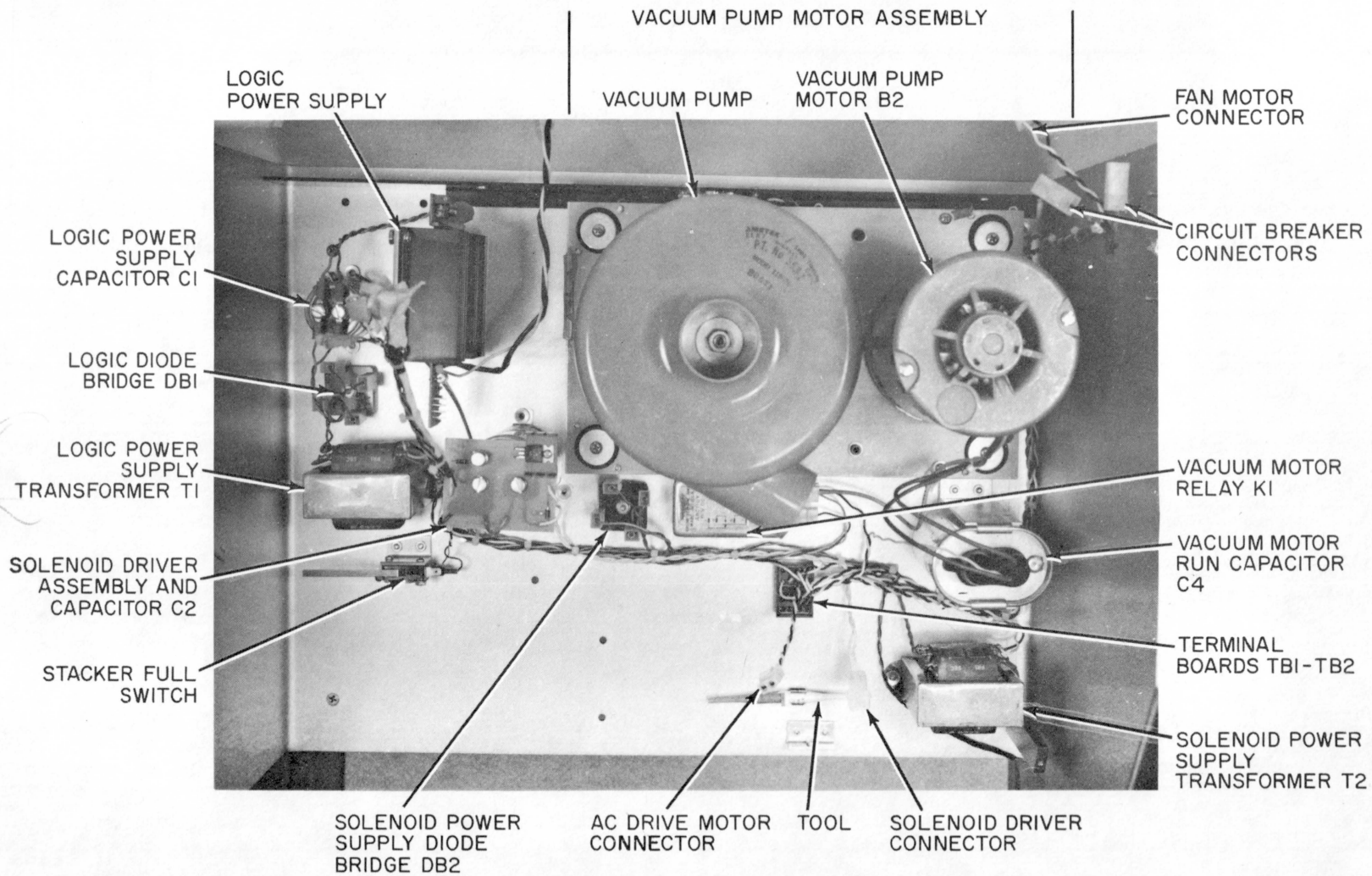


Figure 39. Main Frame Component Location

APPENDIX A

ELECTRICAL DRAWINGS

The electrical drawings included as part of this manual represent the standard Documentation card reader. If special electrical drawings are required, they will be included as reduced blueprints and will supersede the standard drawings.

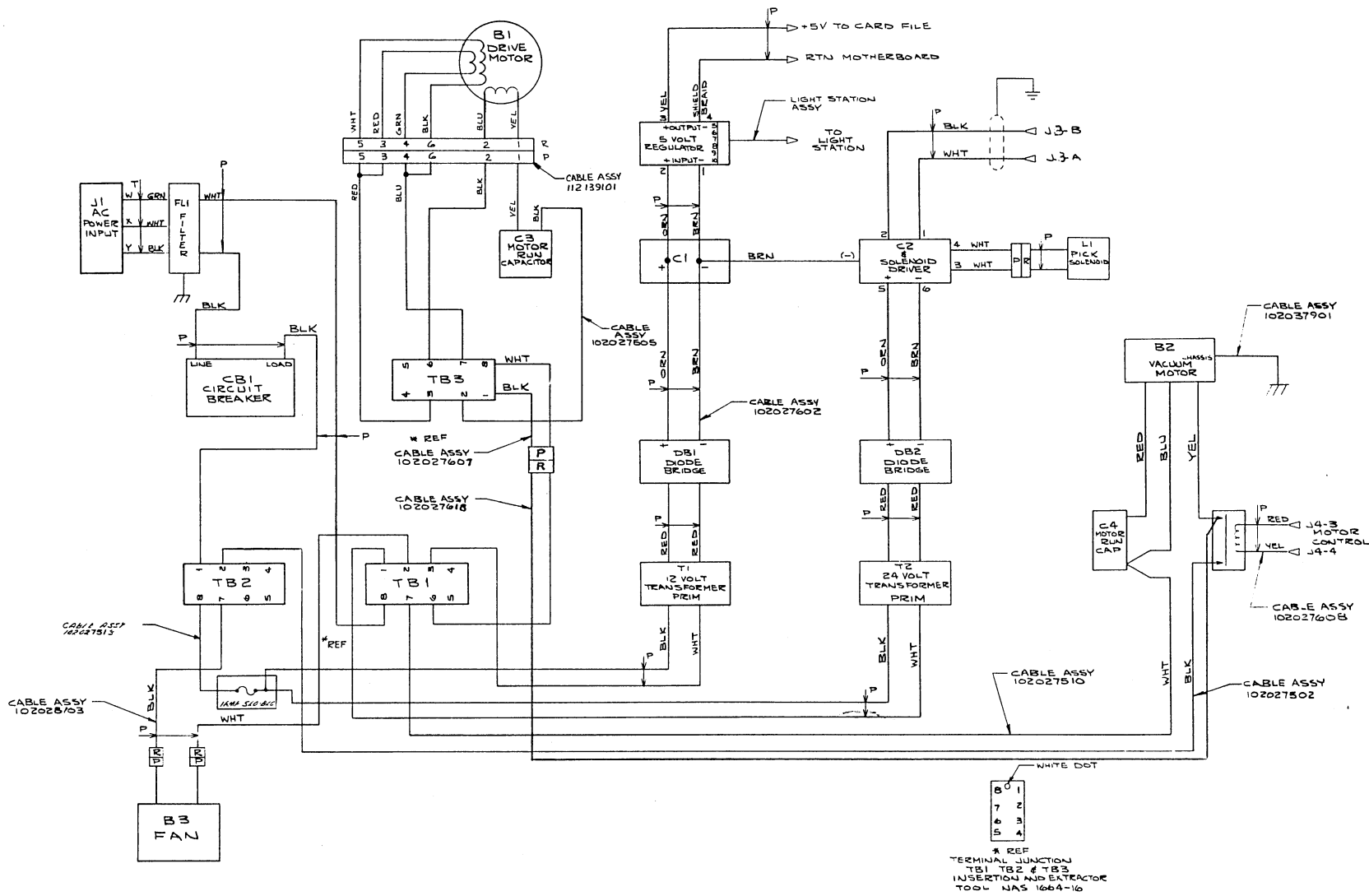


Figure A1. Wiring Diagram, AC Power Distribution, 115 VAC, 60 Hz

A1A

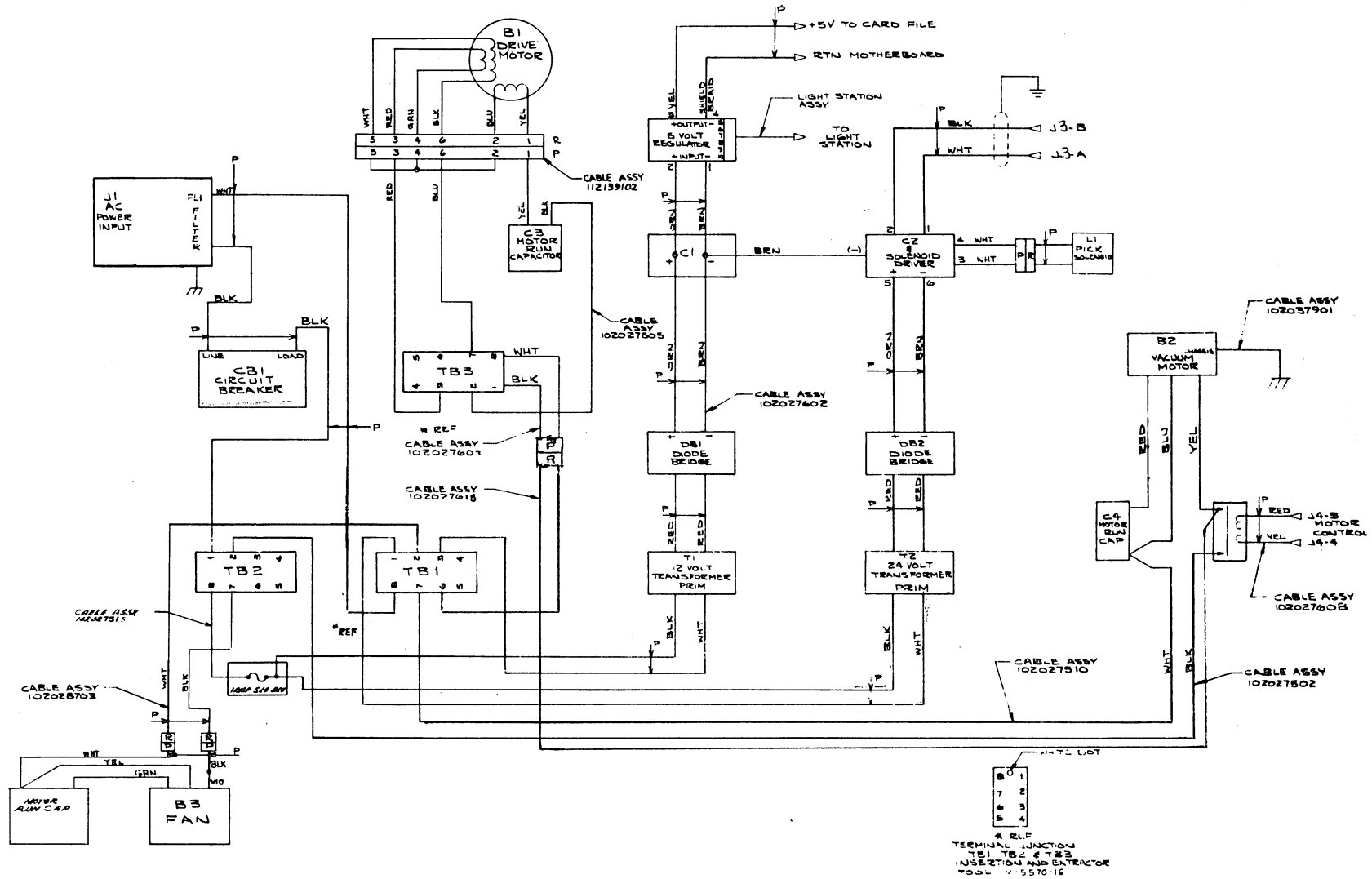
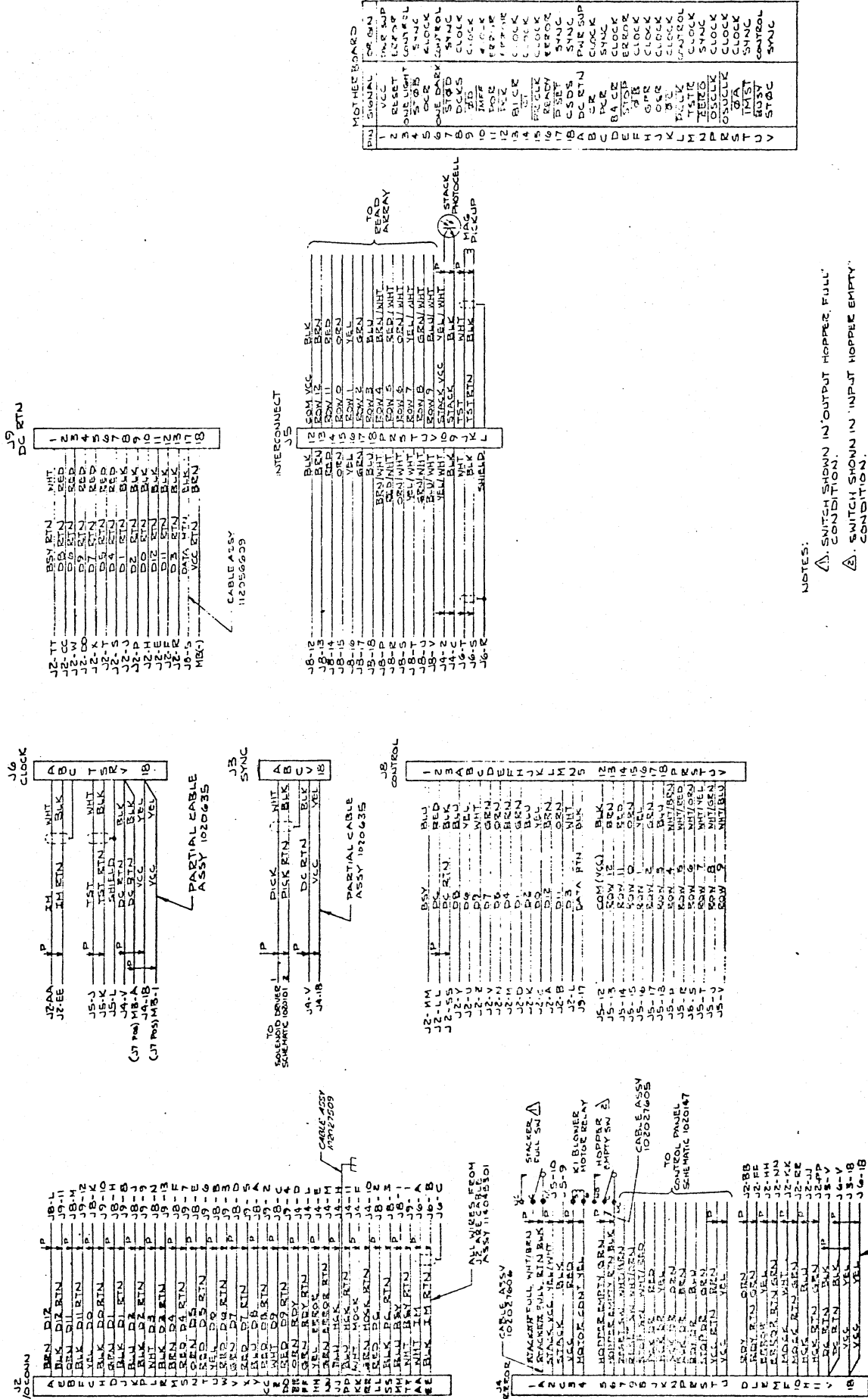


Figure A1A. Wiring Diagram, AC Power Distribution, 230 VAC, 50 Hz
Dwg. No. 1040819



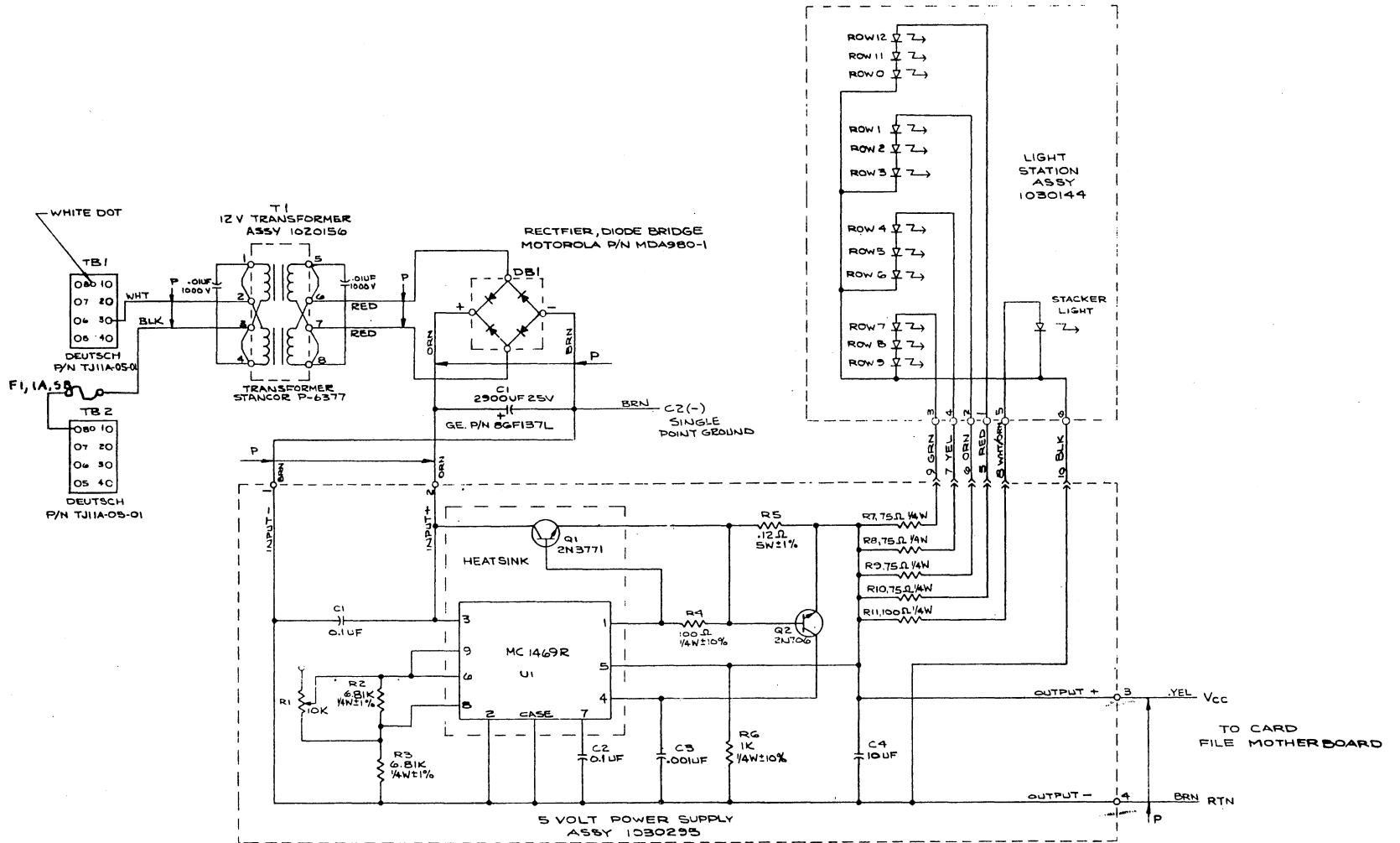


Figure A2. 5 Volt Power Supply
Dwg. No. 1140637

A3A

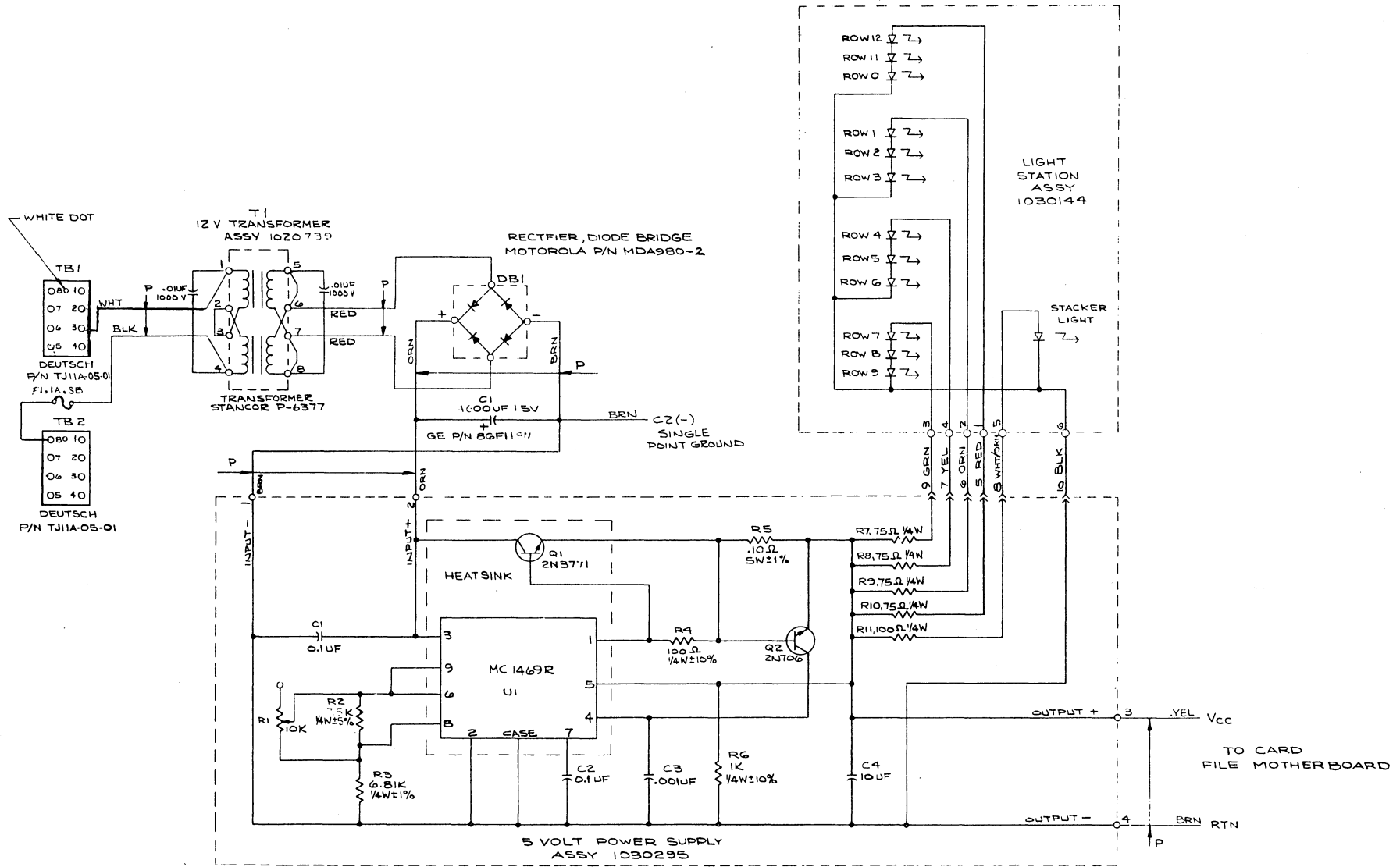


Figure A2A. 5 Volt Power Supply

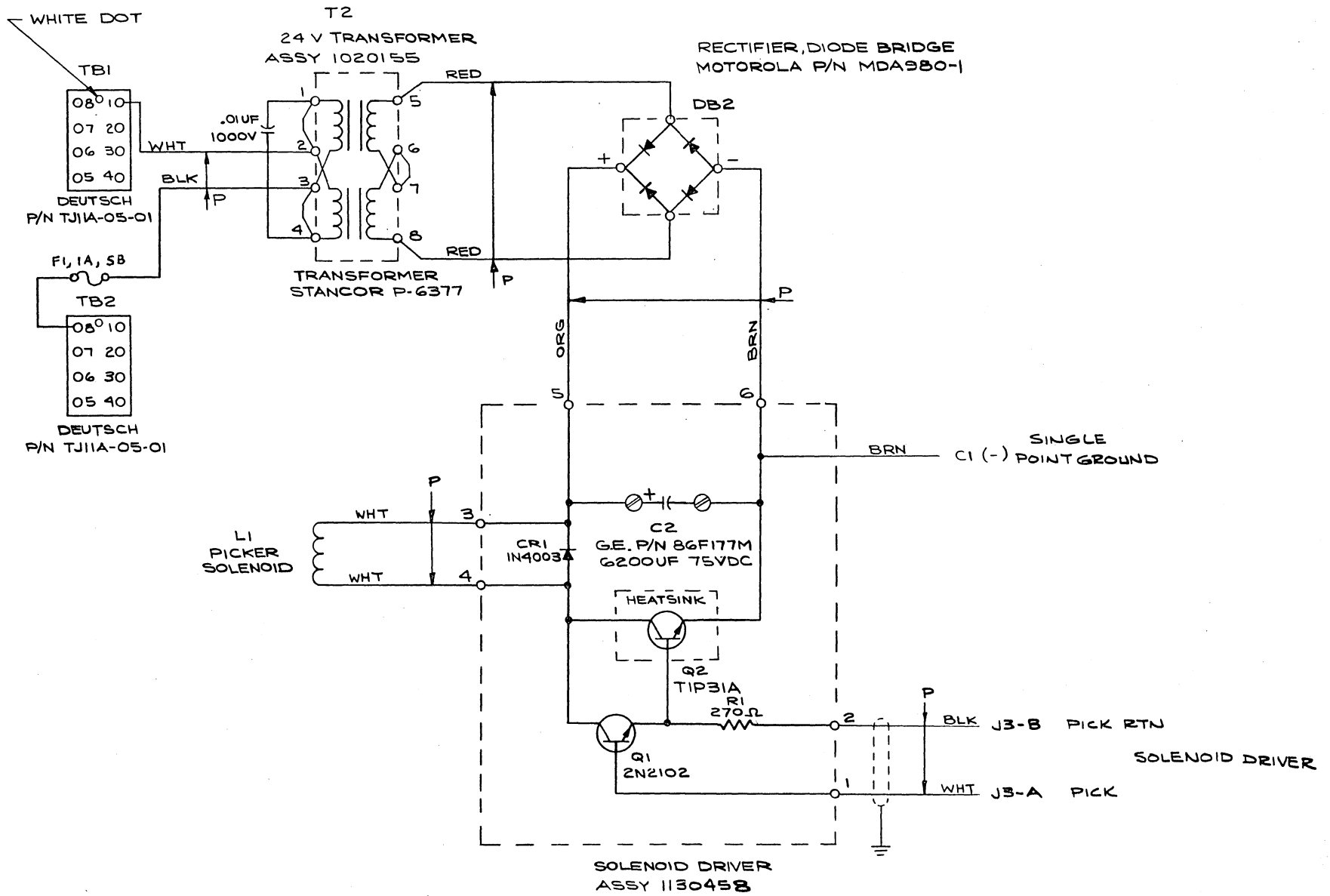
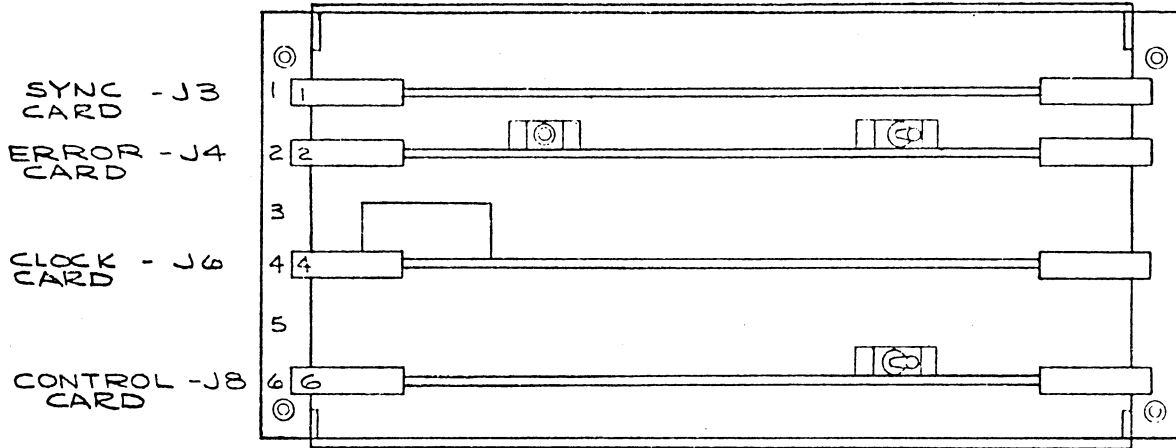
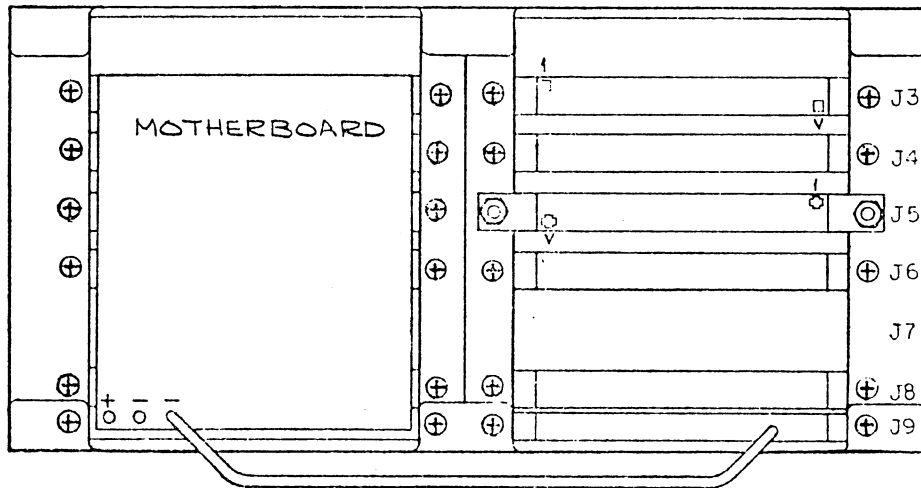


Figure A3. Solenoid Driver
Dwg. No. 1140623



CARD FILE, REAR VIEW
COVER REMOVED



CONNECTOR VIEW

Figure A4. Card File

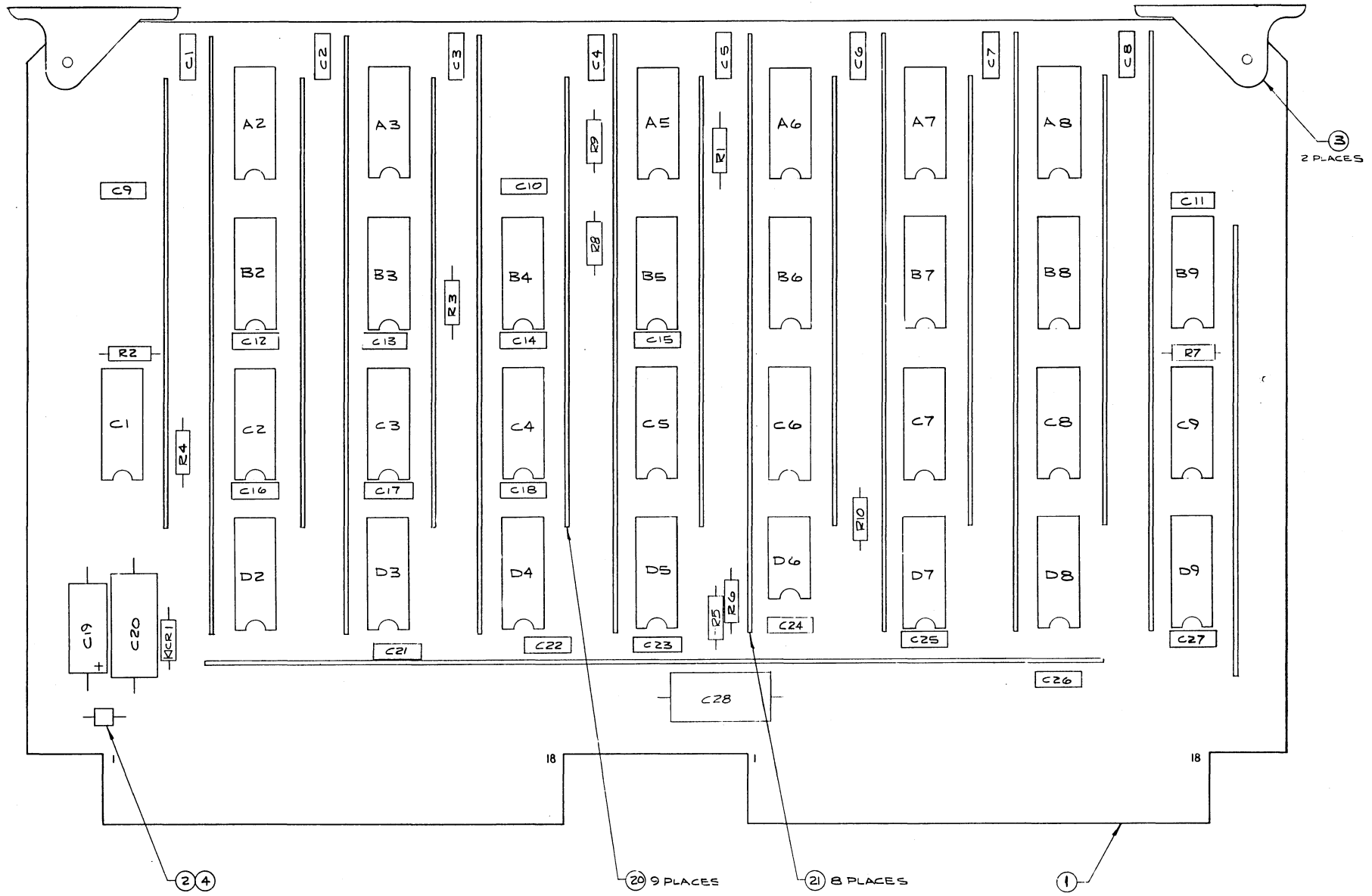


Figure A5. Sync Card Assembly
Dwg. No. 1040353

D6 JUMPER WIRING (CSDS)

D6-1	TO	D6-5	(GND)
-2		-15	(VCC)
-3		-6	(GND)
-4		-14	(VCC)
-9		-13	(VCC)
-10		-7	(GND)
-11		-6	(GND)
-12		-5	(GND)

A7

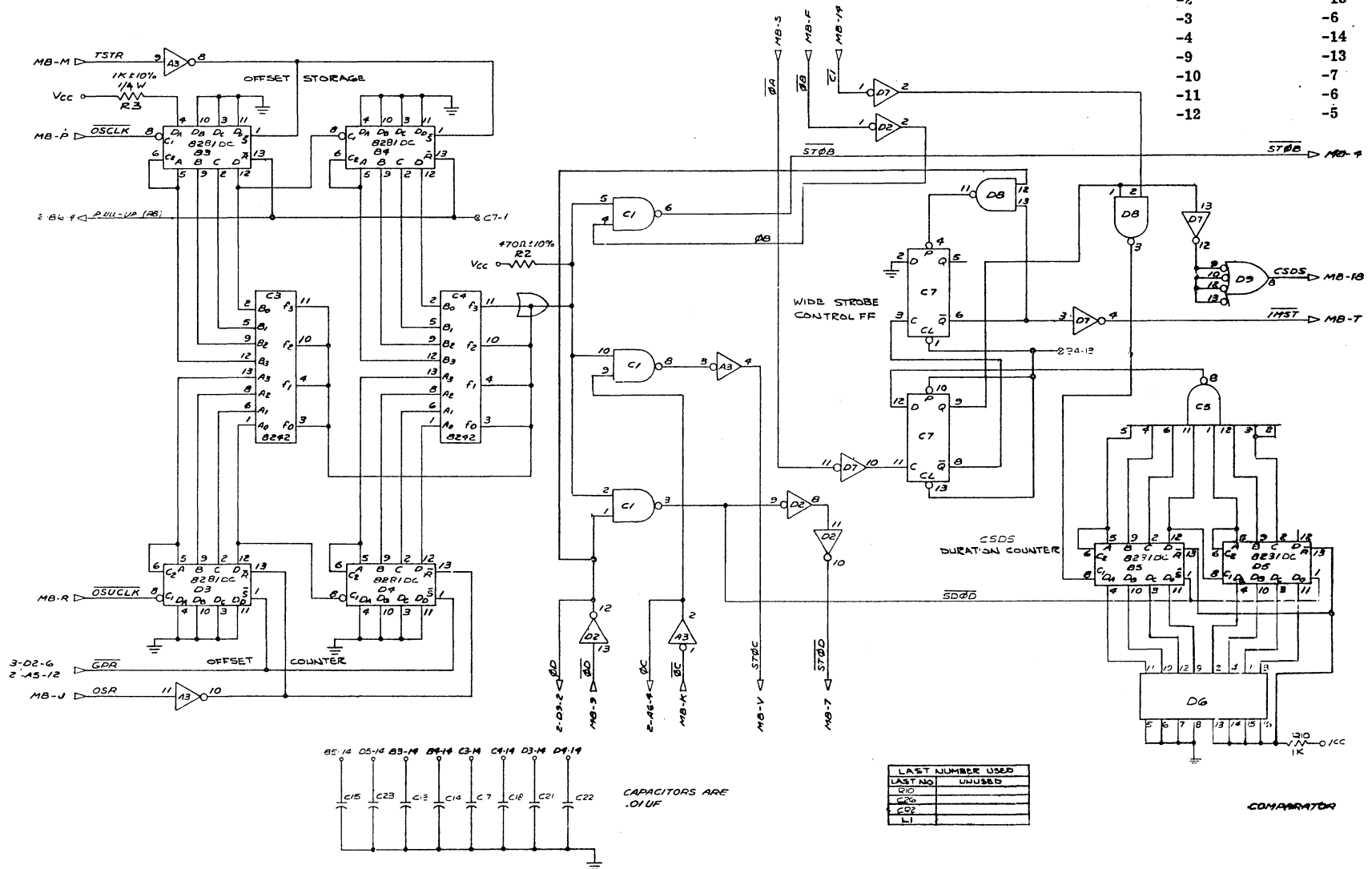


Figure A6. Sync Card Schematic Dwg. No. 1640943 (Sheet 1 of 3) (M-200)

A8

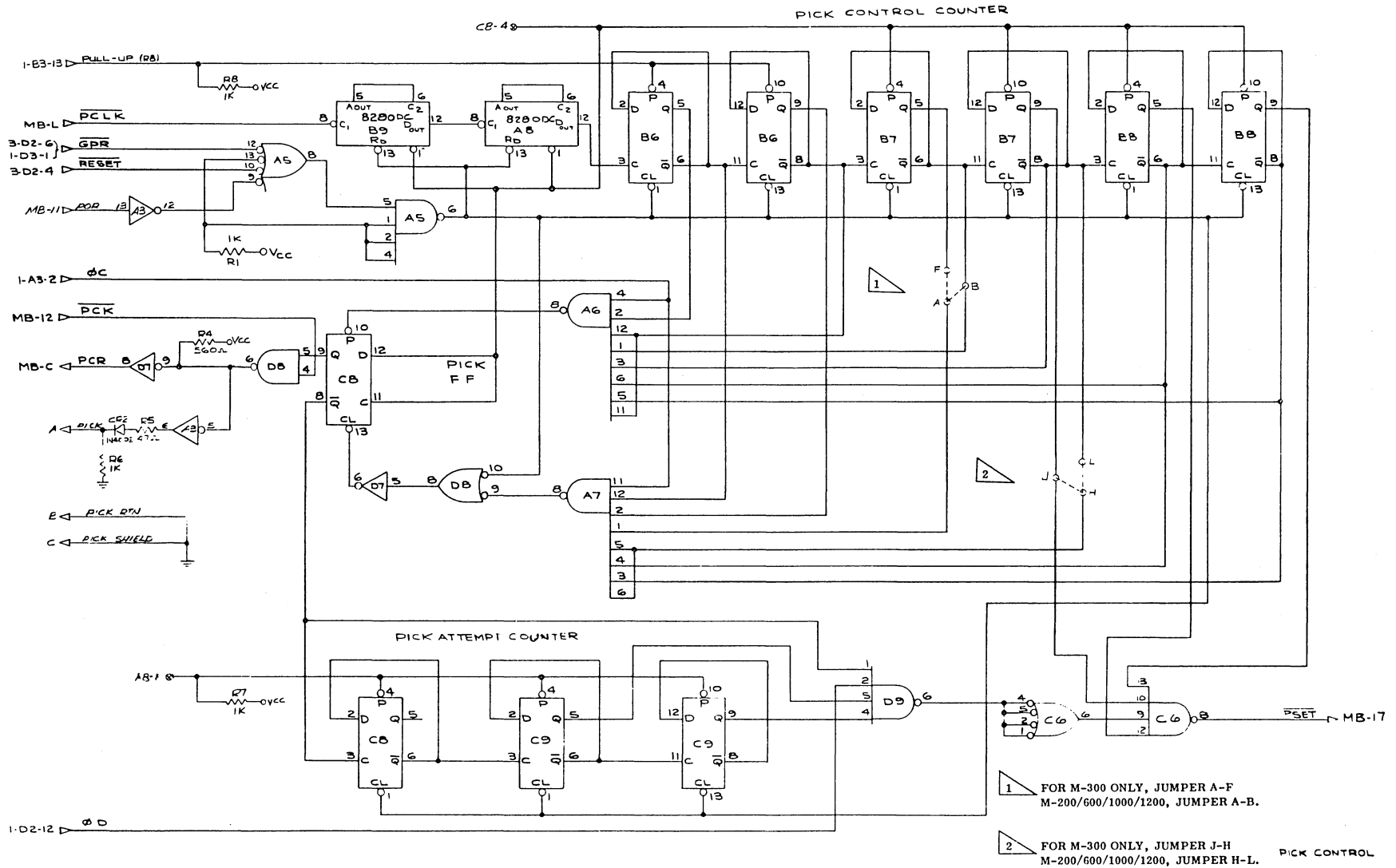
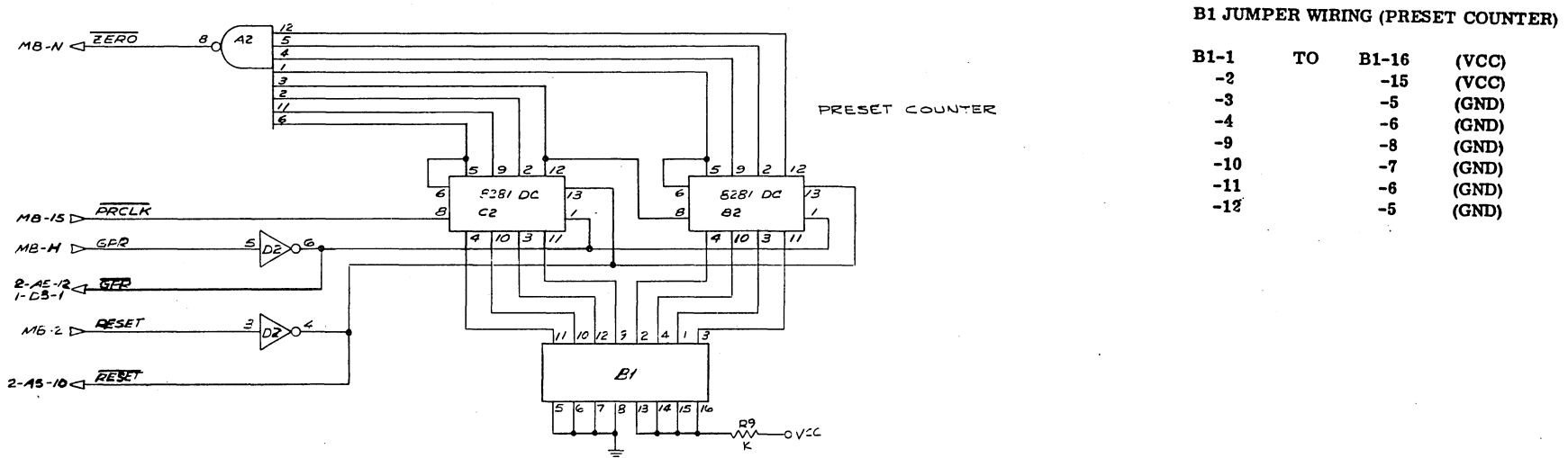


Figure A6. (Sheet 2 of 3)

A9



B1 JUMPER WIRING (PRESET COUNTER)

B1-1	TO	B1-16	(VCC)
-2		-15	(VCC)
-3		-5	(GND)
-4		-6	(GND)
-9		-8	(GND)
-10		-7	(GND)
-11		-6	(GND)
-12		-5	(GND)

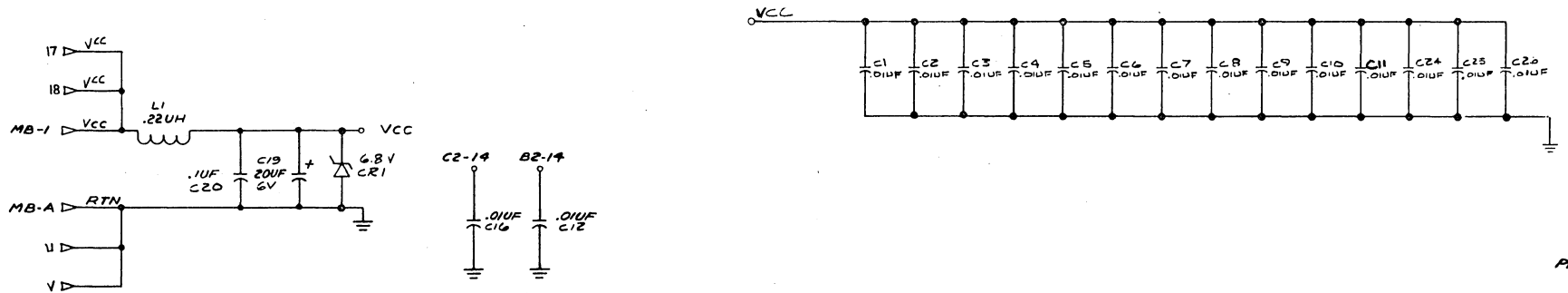


Figure A6. Sync Card Schematic Dwg. No. 1640943 (Sheet 3 of 3) (M-200)

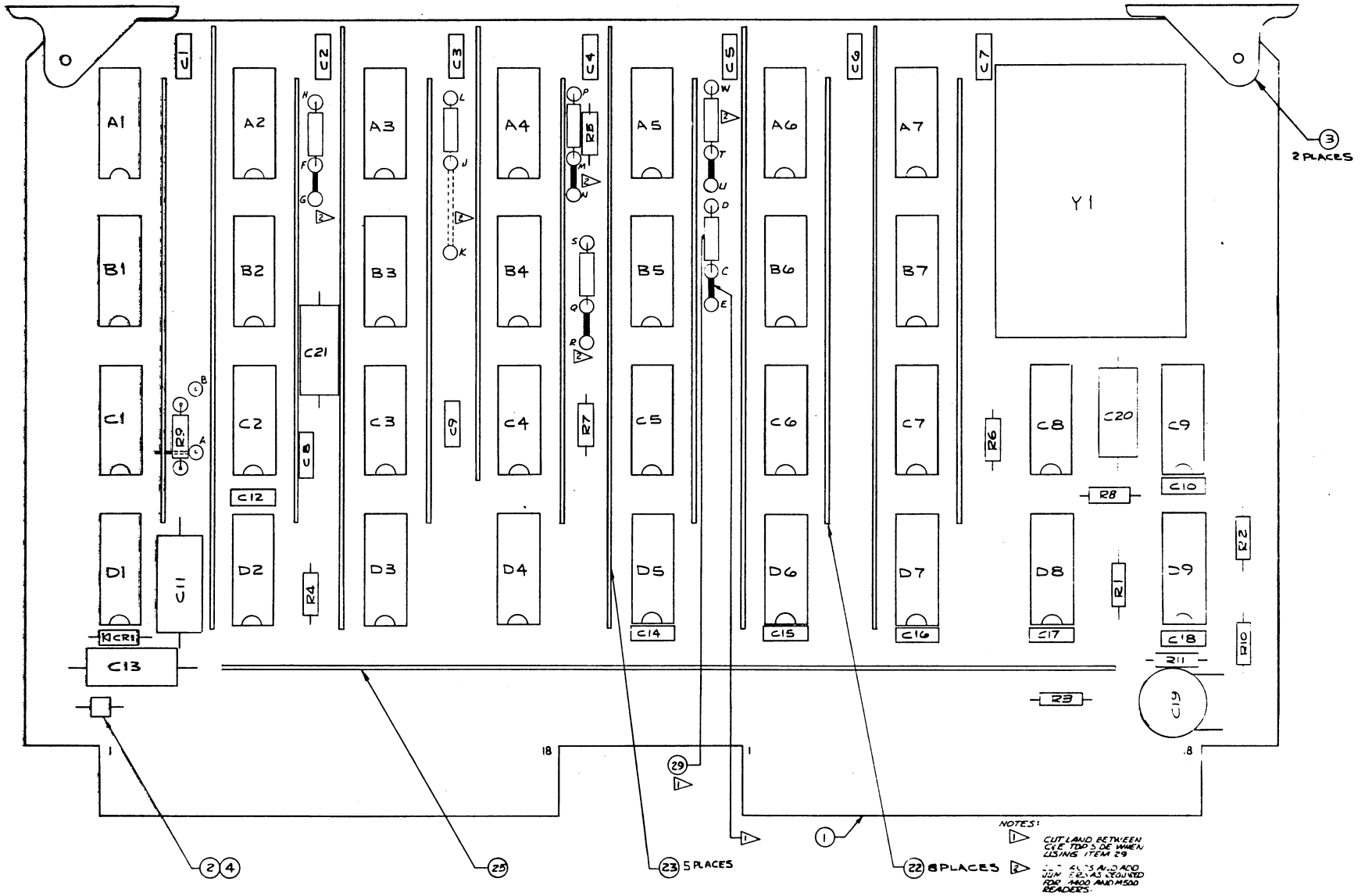


Figure A8. Assembly Diagram, Clock Card
(Dwg. No. 1040765)

ALL

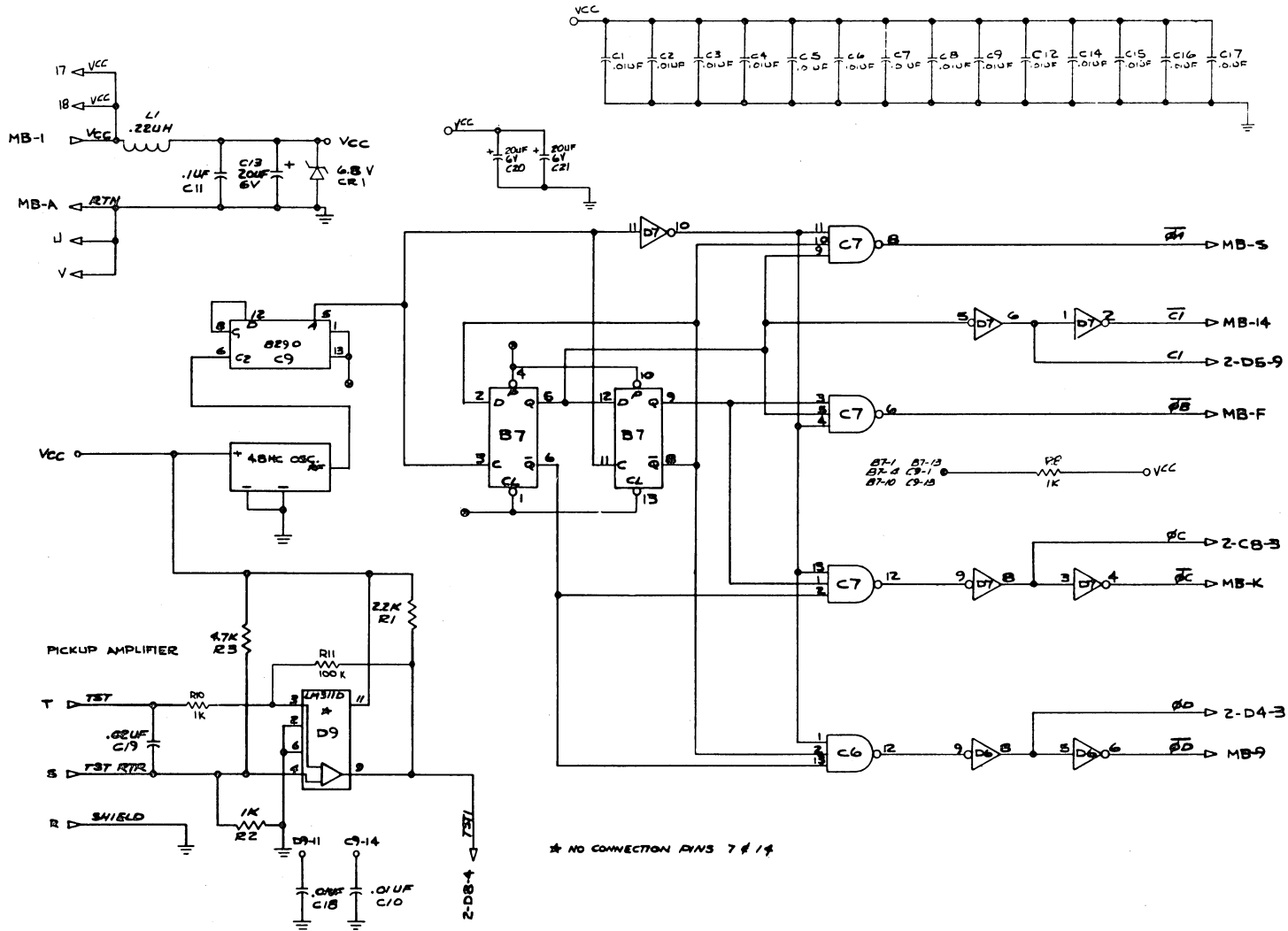


Figure A8. Clock Card Schematic (Sheet 1 of 3)
Dwg. No. 1040800C

A12

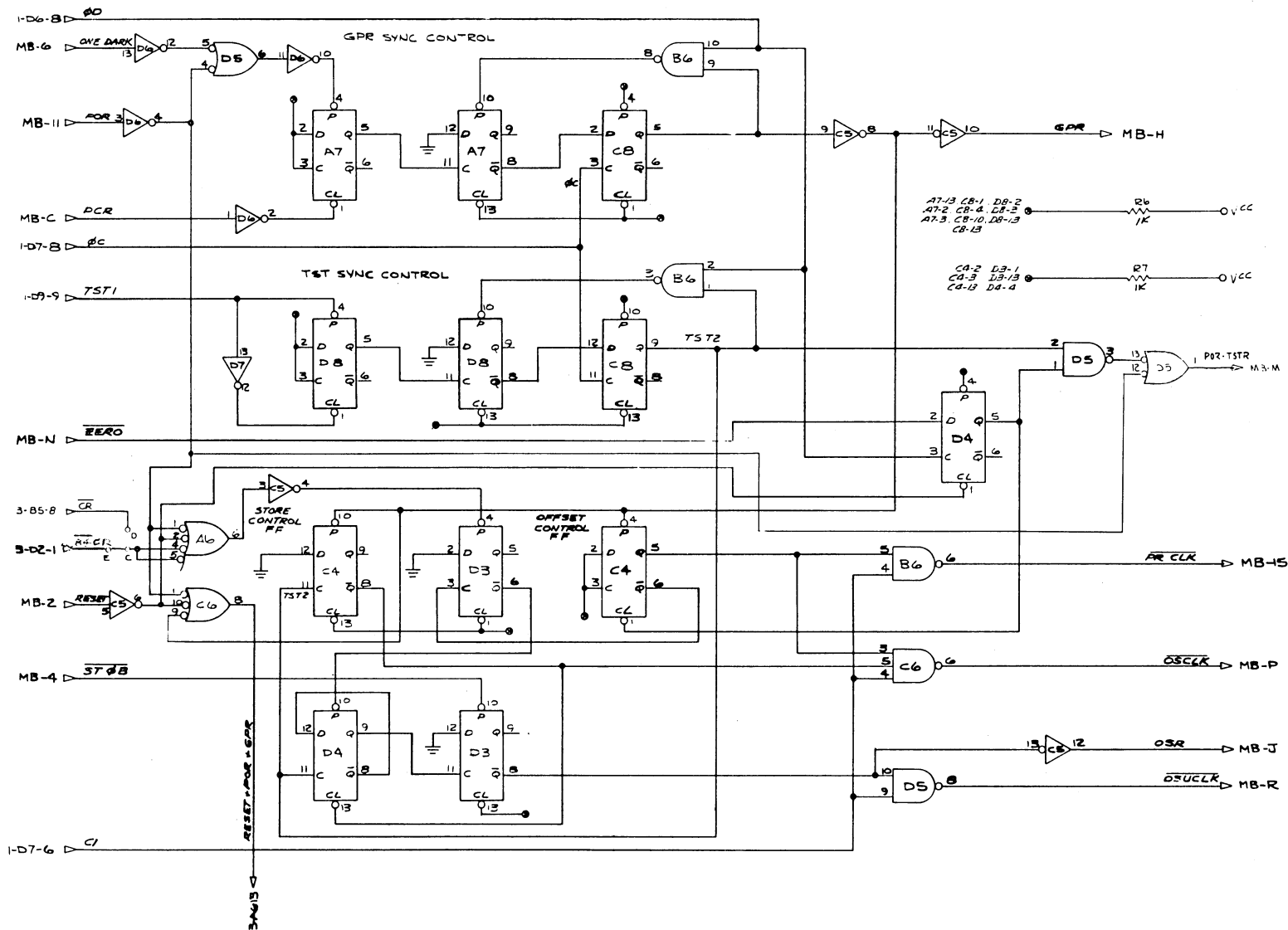


Figure A8. (Sheet 2 of 3)

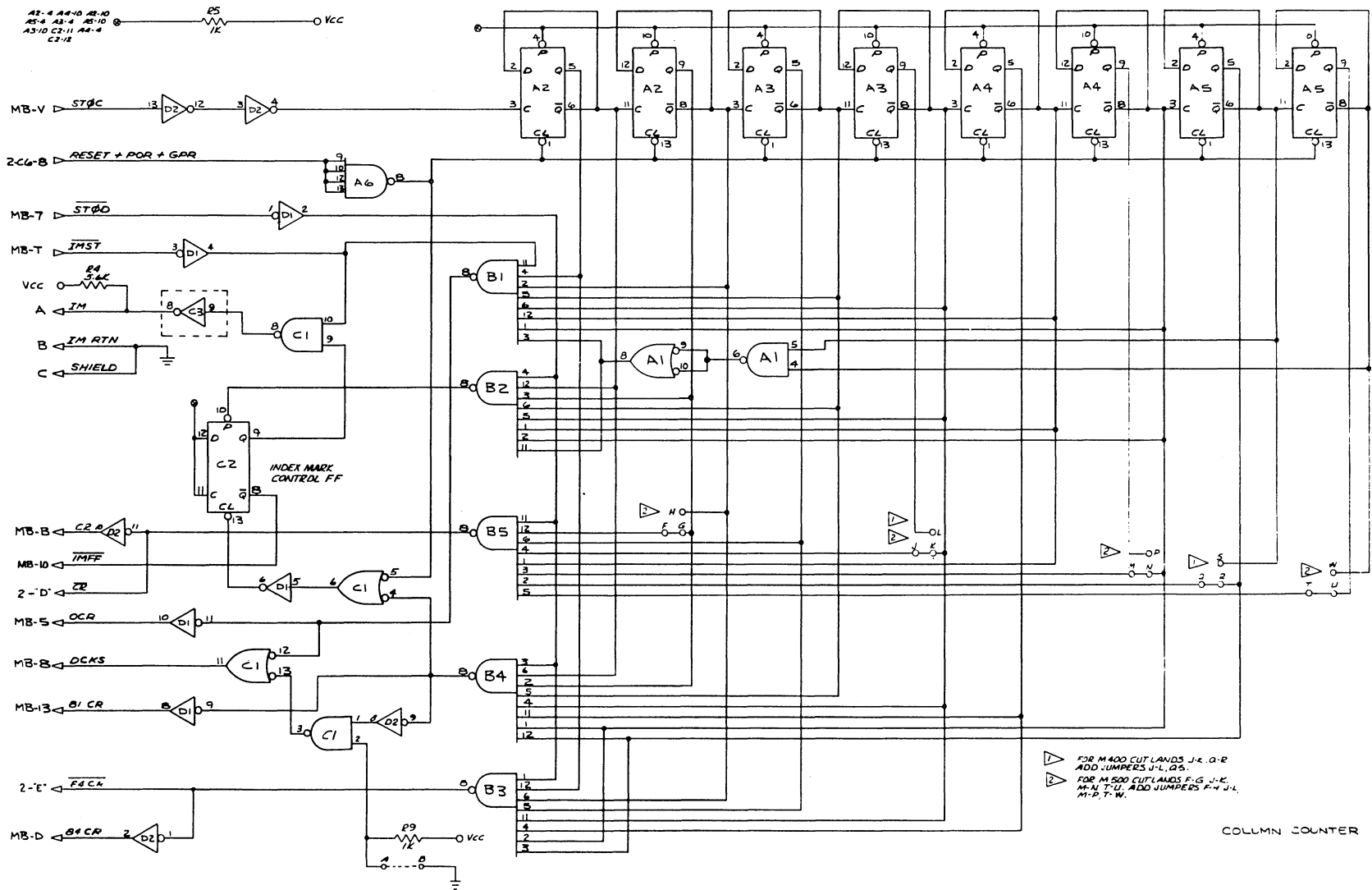


Figure A8. Schematic Diagram, Clock Card, (Sh. 3 of 3)

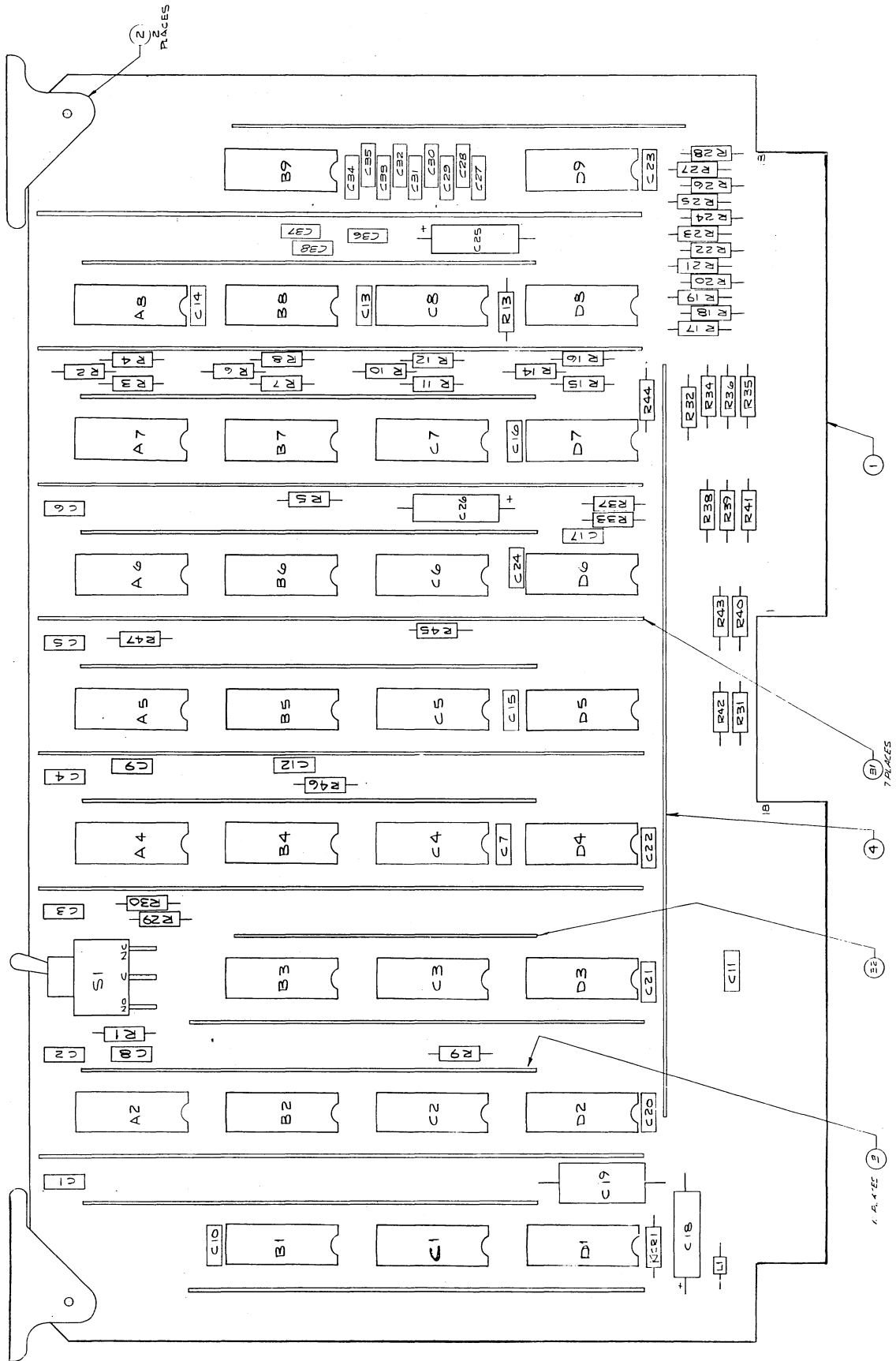
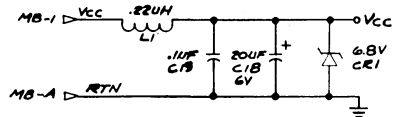
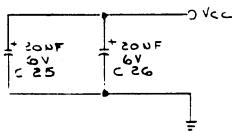
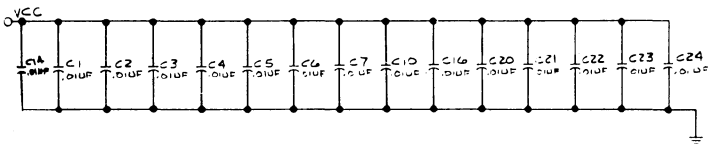


Figure A9. Control Card Assembly
Dwg. No. 1040619



ALL CAPACITORS 150V UNLESS OTHERWISE SPECIFIED



A15

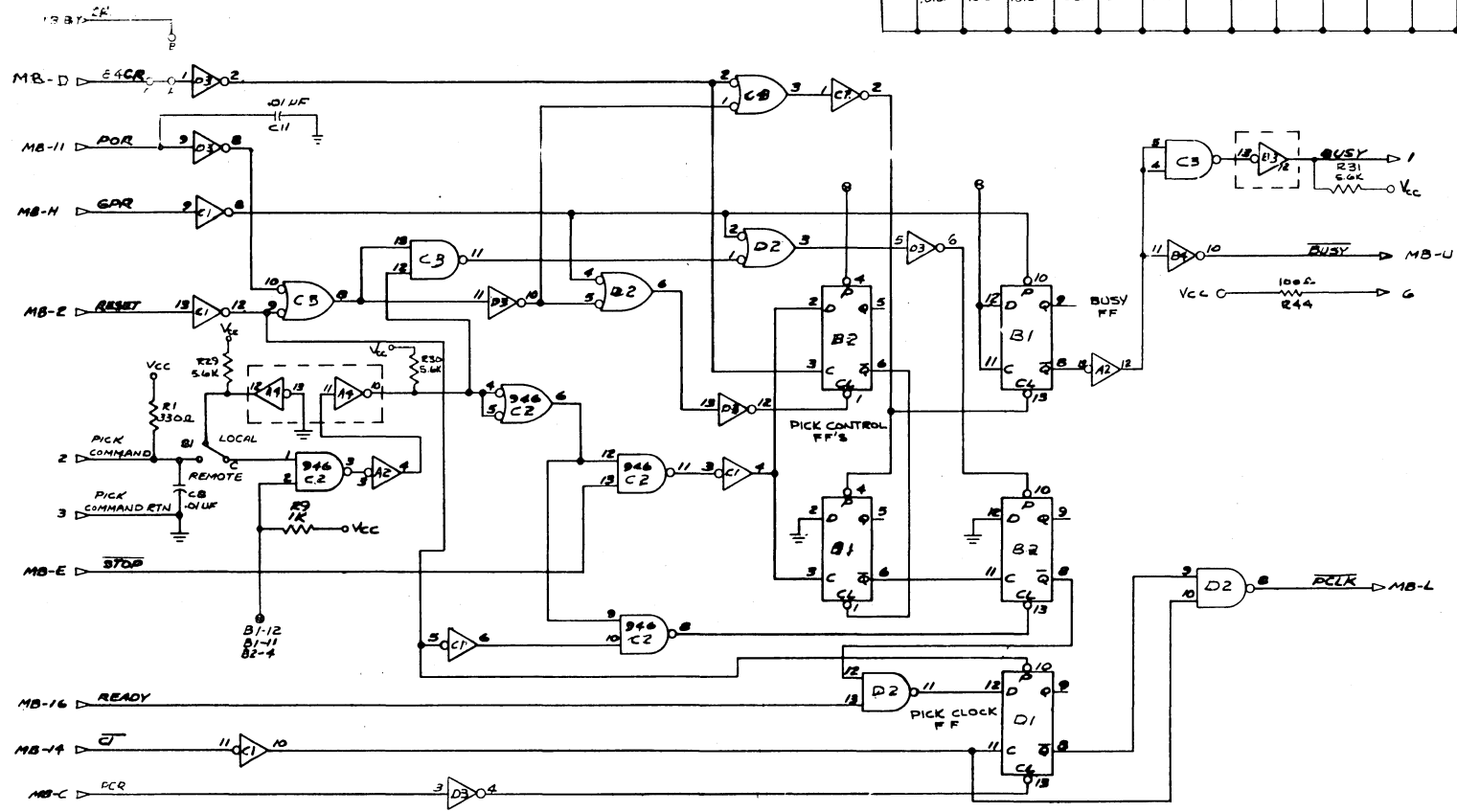


Figure A10. Control Card Schematic (Sheet 1 of 2)
Dwg. No. 1040650D

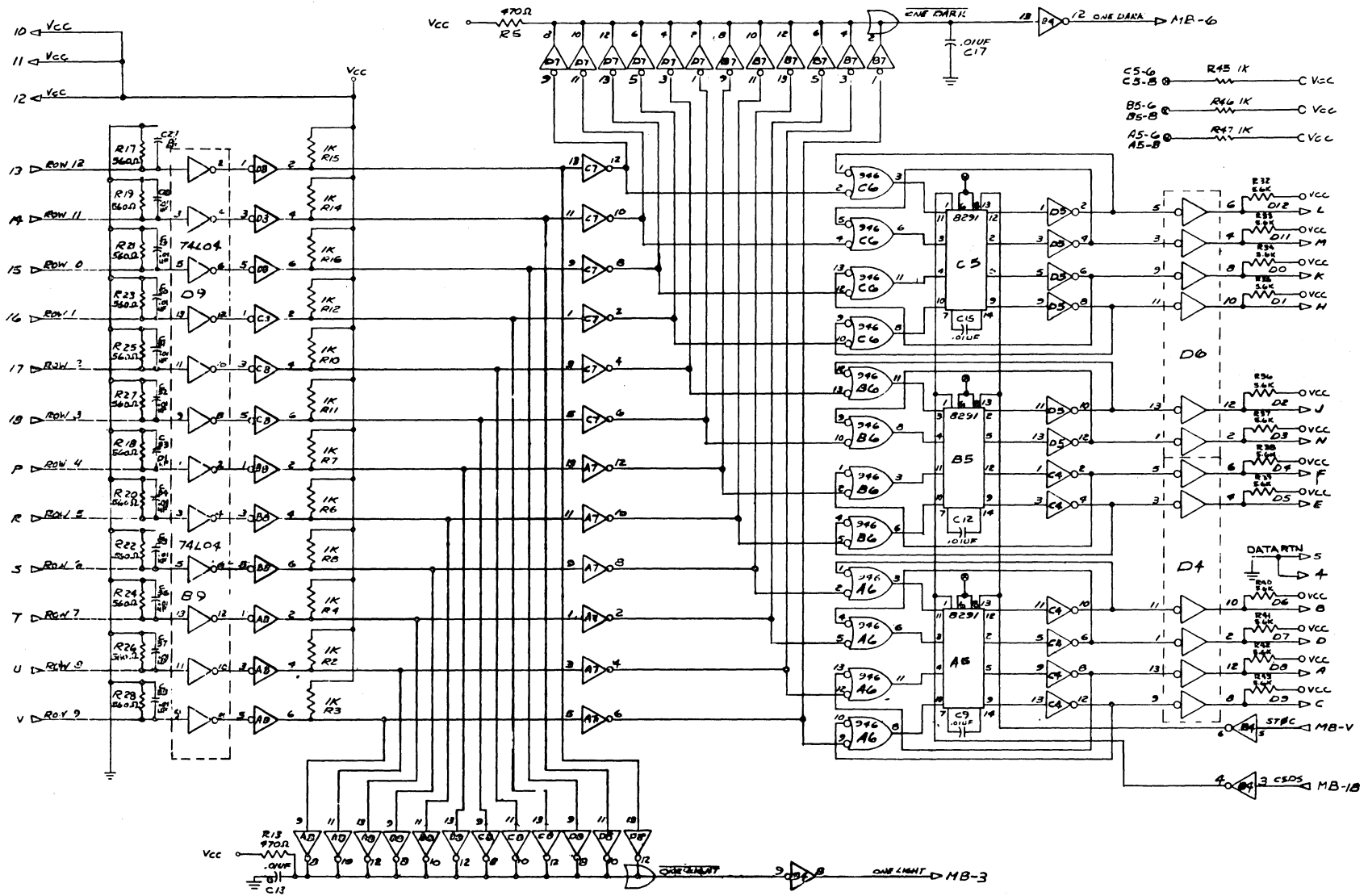


Figure A10. (Sheet 2 of 2)

A17

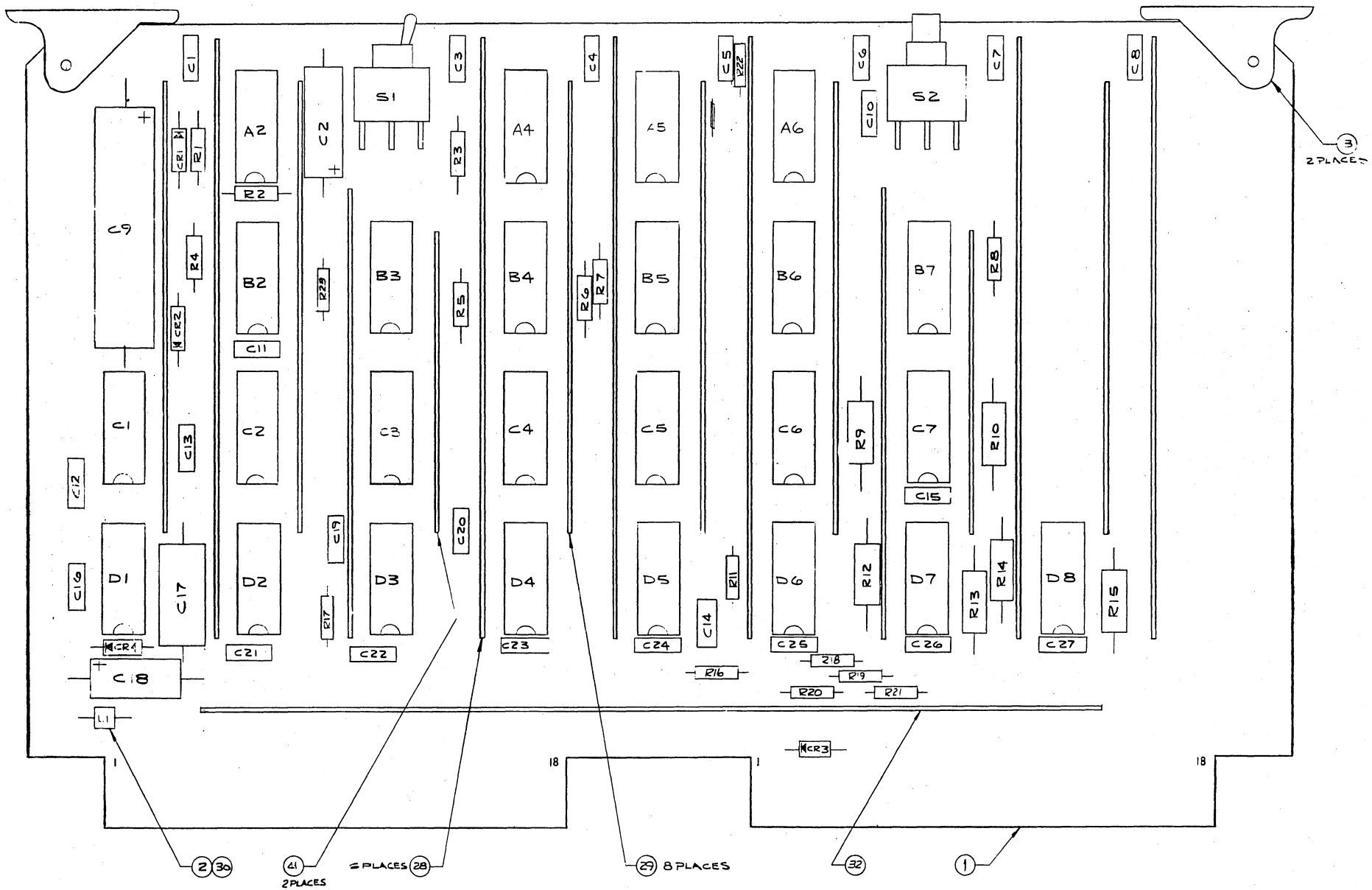


Figure A11. Error Card Assembly
Dwg. No. 1040610

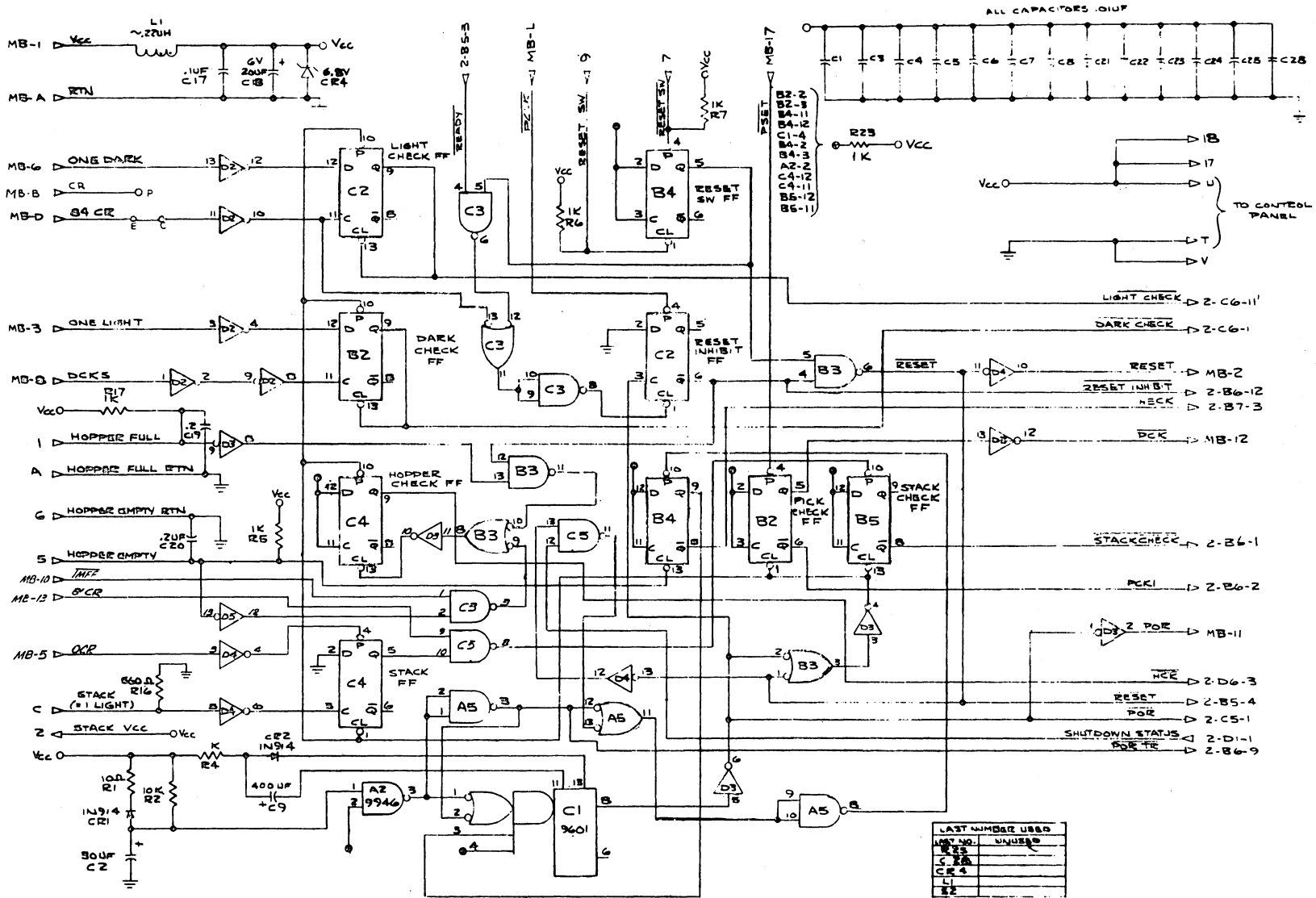


Figure A12. Error Card Schematic (sheet 1 of 2)
 (Dwg. No. 1040814)

APPENDIX B

PARTS LIST

The following parts list includes all items that are considered field replaceable. Should damage occur through excessive abuse to such items as the picker casting, reader housing, etc., the reader should be returned to Documation Incorporated for repair

PARTS LIST

DESCRIPTION	MANUFACTURER	PART NUMBER	QTY PER READER
Assy., P.C. Card, Clock	Documation	1040765XX	1
Assy., P.C. Card, Control	Documation	1040619XX	1
Assy., P.C. Card, Error	Documation	1040610XX	1
Assy., P.C. Card, Sync	Documation	104035303	1
Assy., Blower	Documation	113055901	1
Assy., Control Panel	TEC	DPA-7164B	1
Assy., Light Station	Documation	103014401	1
Assy., Power Cord	Documation	1020148	1
Assy., Power Supply, 5 Volt	Documation	103029502	1
Assy., Read Array (includes magnetic pickup and stacker photocell)	Documation	113057201	1
Assy., Solenoid	Documation	112049801	1
Assy., Solenoid Driver	Documation	113045801	1
Assy., Switch, Hopper Empty	Documation	1020277	1
Assy., Timing Disc	Documation	1020223	1
Assy., Transformer, 12 Volt	Documation	102015602	1
Assy., Transformer, 24 Volt	Documation	102015502	1
Bearing, Sealed Ball	Kubar	SFR188TT(3)	8
Bearing, Stacker Rod	Torrington	B-59-0H	2
Belt, Blower	Gates	5M545	1
Belt, Drive	Dick	130XL025	1
Bulb; 6V @ 0.20A	GE	#328	7
Capacitor, Motor Run, 2 uf @ 330 VAC	GE	45F270	1
Capacitor, Motor Run, 17.5uf @ 370 VAC	GE	45F279	1
Capacitor, 4600 uf @ 15 VDC	GE	86F119M	1
Capstan Drive	Documation	1020059	4
Circuit Breaker	Airpax	UPG1-16-2-802	1
Connector	AMP	583302-1	1
Connector	AMP	1-582191-5	5
Connector	AMP	583300-1	1
Connector	AMP	583334-1	4
Contact, Amp Leaf, 18-21 ga.	AMP	42717-4	4
Contact, Amp Leaf, 22-26 ga.	AMP	42839-4	59
Contact, Amp Modified Fork	AMP	583259-2	14
Contact, Elco	Elco	60-8017-0513	36

PARTS LIST

DESCRIPTION	MANUFACTURER	PART NUMBER	QTY PER READER
Contact, Terminal Junction	Deutsch	1841-1-5616	14
Coupling, Solenoid	Documation	1020105	1
Diode Bridge, 100V	Motorola	MDA 980-2	2
Fan, Cooling	Pamotor	4600	1
Filter, RFI	Components Corp.	10B1	1
Fuse, Slo-blo, 1A	Buss	313001	
Magnetic Pickup	Airpax	086-211-0019	1
Motor, Drive, 115/230 VAC	EAD	H34CBR5	1
Motor, Blower, (115 VAC)	GE	5KCP19PG190A	1
Mount, Rubber	Lord	100 PD2	2
Mount, Rubber	Lord	100 PD4	2
Pulley, Drive, Capstan	Dick	16XL037	1
Pulley, Drive Motor	Documation	112044801	1
Relay, Solid State	Hamlin	173-11-150	1
Shaft, Driver Roller	Documation	1010022	1
Shaft, Pick	Documation	1010039	1
Shaft, Stack Drive	Documation	101003001	1
Shaft, Stack Drive	Documation	101003002	1
Shaft, Stack Drive	Documation	101003003	1
Solenoid Lube No. 2	Ledex	124048-001	1
Spacer, Bearing	W. Berg	SS2-27	4
Spring, Solenoid	Lee Spring	LE-026-C2J	1
Spring, Stacker	Lee Spring	LE-041E-6(MW)	1
Stacker Photocell	Spectronics	SS1443	1
Switch, Hopper Full	Cherry	E21-85HX	1
Tie, Cable	Panduit	SST1M-M	20
Tie, Cable	Panduit	SST4-M	2
Motor, Blower (230 VAC)	GE	5KCP19PG222	1
Capacitor, Motor Run 3 uf.	GE	45F271	1
Fan (230 VAC)	Pamotor	2050	1
Capacitor, Fan Run 2 uf 370 VAC	Sprague	200P1901TP	1

APPENDIX C

SIGNAL MNEMONICS AND ABBREVIATIONS

Appendix C contains the description, location and originating source for the Signal Mnemonics and Abbreviations used in this manual.

SIGNAL MNEMONICS AND ABBREVIATIONS

MNEMONIC	DESCRIPTION	LOCATION	ORIGINATING SOURCE
Vcc	+5 volts	MB-1	5 volt power supply (Mother Board)
RTN	+5 volt return	MB-A	5 volt power supply (Mother Board)
TST	Timing Strobe	J3-T	Reluctance Pickup
TST RTN	Timing Strobe Return	J3-S	Reluctance Pickup
SHIELD	Shield for Timing Strobe	J3-R	Reluctance Pickup
TST1	Timing Strobe One	D9-9	Clock Card
ϕA	Clock Phase A	MB-S	Clock Card
C1	Basic Clock	MB-14	Clock Card
ϕB	Clock Phase B	MB-F	Clock Card
ϕC	Clock Phase C	MB-K	Clock Card
ϕD	Clock Phase D	MB-9	Clock Card
ONE DARK	Read Station Any Dark	MB-6	Control Card
POR	Power On Reset	MB-11	Error Card
PCR	Pick Control Reset	MB-C	Sync Card
ZERO	Preset Decode	MB-N	Sync Card
RESET	Gated Reset Switch	MB-2	Sync Card
ST ϕB	Column Strobe Phase B	MB-4	Sync Card
GPR	Good Pick Reset	MB-H	Clock Card
TST2	Timing Strobe Two	C8-9	Clock Card
TSTR	Timing Strobe Reset	MB-N	Clock Card
PRCLK	Preset Clock	MB-15	Clock Card
OSCLK	Offset Clock	MB-P	Clock Card
OSR	Offset Reset	MB-J	Clock Card
OSUCLK	Offset Up-Clock	MB-R	Clock Card
ST ϕC	Column Strobe Phase C	MB-V	Sync Card
ST ϕD	Column Strobe Phase D	MB-7	Sync Card
IMST	Index Mark Strobes	MB-T	Sync Card
IM	Index Marks	J3-A	Clock Card
IM RTN	Return for Index Marks	J3-B	Clock Card
SHIELD	Shield for Index Marks	J3-C	Clock Card
CR	Column Reset	MB-B	Clock Card
OCR	Zero Column Reset	MB-5	Clock Card

SIGNAL MNEMONICS AND ABBREVIATIONS
(Continued)

MNEMONIC	DESCRIPTION	LOCATION	ORIGINATING SOURCE
DCKS	Dark Check Strobes	MB-8	Clock Card
81CR	81st Column Reset	MB-13	Clock Card
84CR	84th Column Reset	MB-D	Clock Card
PICK COMMAND	Pick Command Input	J8-2	Control Card
PICK COMMAND RTN	Pick Command Input Return	J8-3	Control Card
STOP	Stop	MB-E	Error Card
READY	Ready	MB-16	Error Card
BUSY	Busy Output	J8-1	Control Card
PCLK	Pick Clock	MB-L	Control Card
Vcc	+5V to Read Sensor Array	J8-12	Control Card
Row 12	Read Sensor Input Row 12	J8-13	Control Card
Row 11	Read Sensor Input Row 11	J8-14	Control Card
Row 0	Read Sensor Input Row 0	J8-15	Control Card
Row 1	Read Sensor Input Row 1	J8-16	Control Card
Row 2	Read Sensor Input Row 2	J8-17	Control Card
Row 3	Read Sensor Input Row 3	J8-18	Control Card
Row 4	Read Sensor Input Row 4	J8-P	Control Card
Row 5	Read Sensor Input Row 5	J8-R	Control Card
Row 6	Read Sensor Input Row 6	J8-S	Control Card
Row 7	Read Sensor Input Row 7	J8-T	Control Card
Row 8	Read Sensor Input Row 8	J8-U	Control Card
Row 9	Read Sensor Input Row 9	J8-V	Control Card
ONE LIGHT	Read Station Any Light	MB-3	Control Card
D12	Data Row 12 Output	J8-L	Control Card
D11	Data Row 11 Output	J8-M	Control Card
D0	Data Row 0 Output	J8-K	Control Card
D1	Data Row 1 Output	J8-H	Control Card
D2	Data Row 2 Output	J8-J	Control Card
D3	Data Row 3 Output	J8-N	Control Card
D4	Data Row 4 Output	J8-F	Control Card
D5	Data Row 5 Output	J8-E	Control Card
RTN	Data Drivers Return	J8-5	Control Card
D6	Data Row 6 Output	J8-B	Control Card

SIGNAL MNEMONICS AND ABBREVIATIONS

(Continued)

MNEMONIC	DESCRIPTION	LOCATION	ORIGINATING SOURCE
D7	Data Row 7 Output	J8-D	Control Card
D8	Data Row 8 Output	J8-A	Control Card
D9	Data Row 9 Output	J8-C	Control Card
CSDS	Column Storage Data Strobe	MB-18	Sync Card
HOPPER FULL	Hopper Full Switch	J4-1	Error Card
HOPPER FULL RTN	Hopper Full Switch Return	J4-A	Error Card
HOPPER EMPTY RTN	Hopper Empty Switch Return	J4-6	Error Card
HOPPER EMPTY	Hopper Empty Switch	J4-5	Error Card
STACK	Stack Sensor Input	J4-C	Error Card
STACK Vcc	Stack Sensor +5 volts	J4-2	Error Card
RESET SW	Reset Switch Normally Open	J4-9	Error Card
<u>RESET SW</u>	Reset Switch Normally Closed	J4-7	Error Card
PSET	Pick Check Set	MB-17	Sync Card
LIGHT CHECK	Light Check	C2-9	Error Card
DARK CHECK	Dark Check	B2-9	Error Card
HECK	Hopper Empty Check	B4-8	Error Card
PCK	Pick Check	B2-5	Error Card
STACK CHECK	Output Stacker Check	B5-8	Error Card
PCKI	Pick Check Indicator	B2-2	Error Card
HCK	Input or Output Hopper Check	C4-9	Error Card
SHUTDOWN STATUS	Mode Switch Input	S1-C	Error Card
POR TR	Power on Reset Trigger	A5-12	Error Card
STOP SW	Stop Switch Input	J4-B	Error Card
RCK DR	Read Check Lamp Driver	J4-P	Error Card
PCK DR	Pick Check Lamp Driver	J4-P	Error Card
SCK DR	Stack Check Lamp Driver	J4-N	Error Card
HCK DR	Hopper Check Lamp Driver	J4-K	Error Card
HCK	Hopper Check Output	J4-H	Error Card
HCK RTN	Hopper Check Output Return	J4-10	Error Card
ERROR	Error Output	J4-E	Error Card
ERROR RTN	Error Output Return	J4-M	Error Card
MOCK	Motion Check Output	J4-F	Error Card

SIGNAL MNEMONICS AND ABBREVIATIONS
(Continued)

MNEMONIC	DESCRIPTION	LOCATION	ORIGINATING SOURCE
MOCK RTN	Motion Check Output Return	J4-11	Error Card
READY	Ready Output	J4-D	Error Card
READY RTN	Ready Output Return	J4-L	Error Card
RDY DR	Ready Lamp Driver	J4-R	Error Card
STOP DR	Stop Lamp Driver	J4-S	Error Card
PICK	Pick Driver Output	J5-A	Sync Card
PICK RTN	Pick Driver Output Return	J5-B	Sync Card
SHIELD	Shield for PICK	J5-C	Sync Card
BUSY	Busy Signal	MB-U	Control Card

APPENDIX D ILLUSTRATED PARTS BREAKDOWN

D-1 INTRODUCTION

This section contains, in breakdown order, the complete card reader's assemblies, subassemblies, sub-subassemblies, detail parts of each, and associated attaching parts.

The unit is divided into ten significant assemblies (refer to figure D-2), each illustrated, and provided with a parts listing keyed to the illustrations. The assembly parts breakdown illustrations and associated parts lists identify and describe all parts of the 115 VAC 60 Hz and the 230 VAC 50 Hz models of the Card Reader. Most parts are common to both models, when a part is common only to the 50 Hz models, it is listed immediately after the equivalent part for the 60 Hz model. In the MAIN FRAME assembly breakdown, for example, (Figure D-4), under index #16, two circuit breakers are listed for the same index number.

16	00000188 . .	CIRCUIT BREAKER, 8 amp (115 VAC, 60 Hz models)
	00000185 . .	CIRCUIT BREAKER, 6 amp (230 VAC, 50 Hz models)

Table D-1 list the major assemblies and subassemblies and associated components of the card reader with the figure number in which they are listed and illustrated. In the parts list, Documentation parts or assemblies are identified by an eight-digit number. Parts or assemblies that Documentation purchases from suppliers and used "as is" are identified by manufacturer part number. The manufacturers' are identified by manufacturers codes in the description column of the parts list. Table D-2 list the names and addresses of all manufacturers' codes used in the parts list.

D-2 HOW TO USE THE ILLUSTRATED PARTS BREAKDOWN

- a. When the Part Number is not known (Figure D-1):
 - 1) Refer to Figure D-2 and locate the index number of the major assembly from which the part was removed.
 - 2) In the major assembly listing of Figure D-2, use the index number to locate the figure number of the parts breakdown illustration for that assembly.
 - 3) In the major assembly parts breakdown illustration, locate the index number of the part.

- 4) In the illustration part listing, use the index number to find the part number, description and quantity per unit.
- b. When the assembly and/or the major component of which an item is part of is known, refer to Table D-1 to locate the figure number which illustrates and list the individual components or parts.
- c. To simplify the updating of Appendix D of this manual, only ODD numbered pages are used.

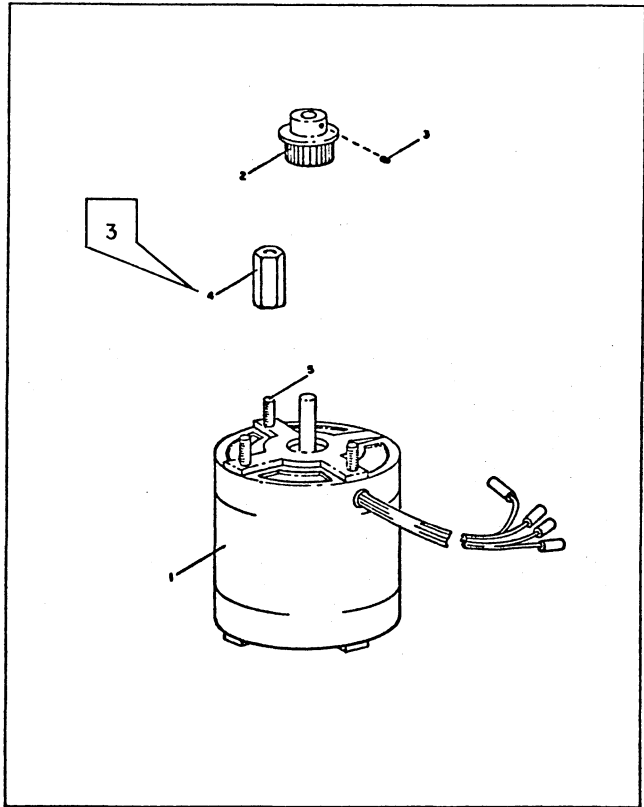
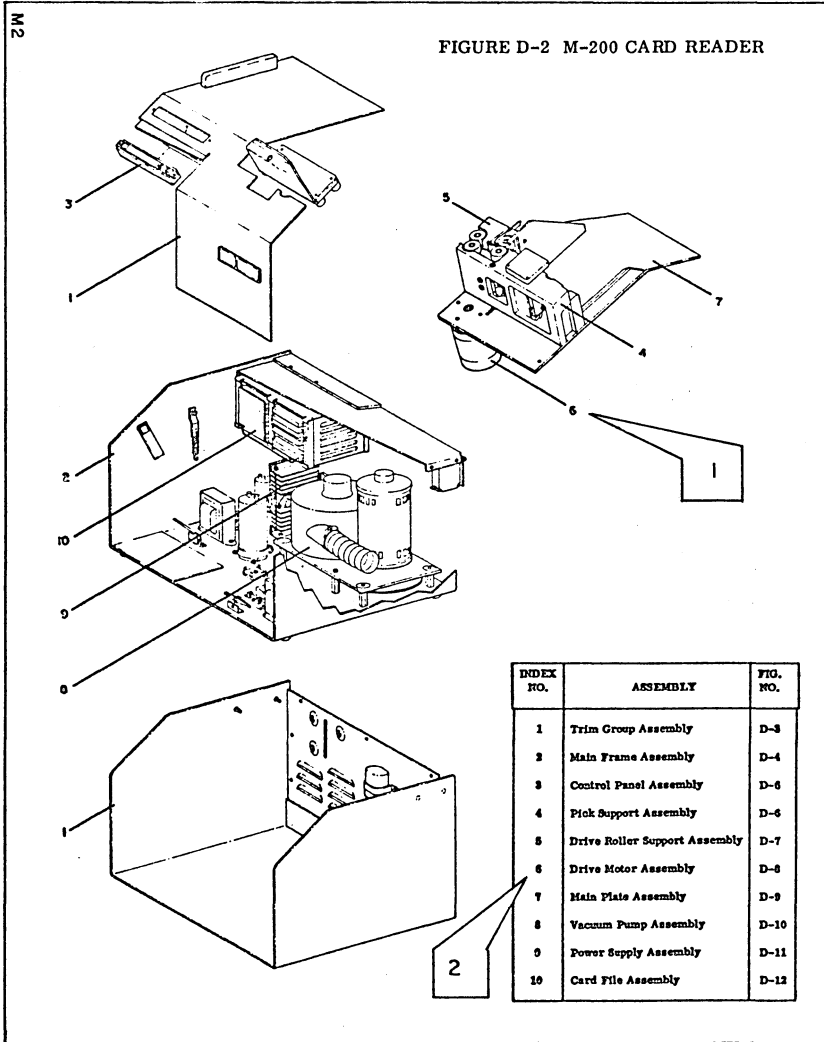


FIGURE D-8 DRIVE MOTOR ASSEMBLY

FIG. INDEX NO.	PART NUMBER	DESCRIPTION	UNITS PER ASSY	VENDOR PART NO.
	20092903	DRIVE MOTOR ASSEMBLY - 115 VAC, 60 Hertz	1	H34CDR-5
	20092904	DRIVE MOTOR ASSEMBLY - 230 VAC, 50 Hertz	1	
-1	00000682	. MOTOR (19070)	1	
-2	20127001	. PULLEY - 115 VAC, 60 Hertz	1	
-2	20127002	. PULLEY - 230 VAC, 50 Hertz (Attaching Parts)	1	
-3	20127001	. SCREW, Set Screws (Supplied with Item 2)		
	00019001	. STANDOFF STUD		

- ① In Figure D-2, locate index number of major assembly from which part was removed.
- ② In Figure D-2, use index number of major assembly to find figure number of major assembly parts breakdown illustration.
- ③ In major assembly parts breakdown illustration, locate index number of part.
- ④ In the illustration parts list, use index number of part to find part number, description and quantity per unit.

FIGURE D-1 HOW TO USE ILLUSTRATED PARTS BREAKDOWN WHEN PART NUMBER IS NOT KNOWN.

TABLE D-1 QUICK REFERENCE LIST

FIGURE	ASSEMBLY	PAGE
D-3	TRIM GROUP ASSEMBLY Fan Capacitor	D-11a D-11b D-11b
D-4	MAIN FRAME ASSEMBLY Switch, Hopper Full Circuit Breaker Transformer, 12 Volt Transformer, 24 Volt Power Supply Assembly Solenoid Driver Assembly Vacuum Pump Assembly Relay Filter Assembly Connector Panel Assembly Rectifier, Diode Bridge Capacitor, 17.5 μ f Capacitor, 10 μ f Capacitor, 4600 μ f Spring Fuse Solenoid Driver Assembly	D-13c D-13c D-13c D-13c D-13c D-13d D-13e D-13e D-13e D-13e D-13e D-13e D-13e D-13e D-13f D-13f D-13f D-13f D-13f D-13f
D-5	CONTROL PANEL ASSEMBLY Lamp	D-15a D-15a
D-6	PICK SUPPORT ASSEMBLY Light Station Assembly Switch Assembly, Hopper Empty Sector Assembly Drive Roller, 2nd Pick Drive Assembly Stack Drive, 1st Pick Drive Assembly	D-17a D-17a D-17a D-17a D-17a D-17b
D-7	DRIVE ROLLER SUPPORT ASSEMBLY Read Station Assembly First Stack Drive Assembly Second Stack Drive Assembly	D-19a D-19a D-19a D-19a
D-8	DRIVE MOTOR ASSEMBLY Motor Pulley	D-21a D-21a D-21a

M2

TABLE D-1 QUICK REFERENCE LIST (CONT'D)

FIGURE	ASSEMBLY	PAGE
D-9	MAIN PLATE ASSEMBLY Drive Motor Assembly Solenoid Assembly Pick-up Timing Disc Assembly Pulley Belt Capacitor, 2 μ f Capacitor, 3 μ f	D-23b D-23b D-23c D-23c D-23c D-23c D-23c D-23c D-23c
D-10	VACUUM PUMP ASSEMBLY Motor Blower Belt Pulley	D-25a D-25a D-25a D-25a D-25a
D-11	POWER SUPPLY ASSEMBLY P. C. Board Assembly	D-27a D-27a
D-12	CARD FILE ASSEMBLY Connector, Single Row Connector, Tab	D-29a D-29a D-29a
D-13	P. C. ASSEMBLY - Control Card	D-31a
D-14	P. C. ASSEMBLY - Sync Card	D-33a
D-15	P. C. ASSEMBLY - Clock Card	D-35a
D-16	P. C. ASSEMBLY - Error Card	D-37a

M2

TABLE D-2 LIST OF MANUFACTURERS

CODE	MANUFACTURER	CODE	MANUFACTURER
00779	Amp Inc. P.O. Box 3608 Harrisburg, Pa. 17105	07263	Fairchild Semiconductor A division of Fairchild Camera and Instrument Corporation 464 Ellis Street Mountain View, Calif. 94040
01121	Allen Bradley Company 1201 S. 2nd Street Milwaukee, Wisconsin 53204	07355	Airpax Electronics, Inc. Central Engineering Division 6601 N. W. 19th Street Ft. Lauderdale, Florida 33310
01295	Texas Instruments, Inc. Semiconductor Components Div. 13500 North Central Expressway Dallas, Texas 75231	07886	National Radio Co., Inc. Commercial Products Division 37 Washington Street Melrose, Mass. 02176
01963	Cherry Electrical Products Corp. 3600 Sunset Avenue P.O. Box 718 Waukegan, Illinois 61185	08524	Deutch Fastener Corporation Municipal Airport Banning, Calif. 92220
02735	RCA Corporation Solid State Division Fostoria Road Findlay, Ohio 45840	08806	General Electric Company Miniature Lamp Department Nela Park Cleveland, Ohio 44112
03597	General Electric Company Turbine Division of Apparatus Group Schenectady, N. Y.	09023	Cornell - Dubilier, Div. Fed. Pac. Elec. Co. 2562 Dalrymple Sanford, N. C. 27330
04713	Motorola Semiconductor Products, Inc. 5005 East McDowell Road Phoenix, Arizona 85008	09353	C & K Components, Inc. 103 Morse Street Watertown, Mass. 02172
05245	Components Corporation 2855-57 North Halsted Street Chicago, Illinois 60657	09922	Burndy Corporation Richards Avenue Norwalk, Conn. 06852
06229	Electrovert Incorporation 86 Hartford Avenue Mt. Vernon, N. J.	10108	Hurst Manufacturing Corporation P.O. Box 326 Princeton, Indiana 47570
06383	Panduit Corporation 17301 Ridgeland Tinley Part, Illinois 60477	12617	Hamlin Inc. Lake and Grove Streets Lake Mills, Wisconsin 53551
07108	R. & J. Dick Co., Inc. 912 E. 5th Street Muscatine, Iowa 52761	13103	Thermalloy Company 8717 Diplomacy Row Dallas, Texas 75247
07137	TEC. Incorporated 6700 Washington Avenue South Eden Prairie, Minn. 55343		

M2

TABLE D-2 LIST OF MANUFACTURERS (CONT'D)

CODE	MANUFACTURER	CODE	MANUFACTURER
14927	Kubar, Incorporated 21 Erie Cambridge, Mass. 02139	29440	Winfred Berg 499 Ocean Avenue East Rockaway, L. I., N. Y. 11518
18324	Signetics Corporation 811 East Arques Avenue Sunnyvale, Calif. 94086	33062	Ferronics Incorporation 66 North Main Street Fairport, N. Y. 14450
18677	Scanbe Manufacturing Corporation 1161 Monterey Pass Road Monterey Park, Calif. 91754	46384	PEM (Penn Eng. Mfg. Co.) P. O. Box 311 Doylestown, Pa. 18901
18788	General Illumination 2233 University Avenue St. Paul, Minnesota 55114	56289	Sprague Electric Company North Adams, Mass. 01247
19070	Eastern Air Devices 385 Central Avenue Dover, New Hampshire 03820	70276	Allen Mfg. Co. P. O. Box 570 Hartford, Conn. 06101
19701	Electra/Midland Corporation P. O. Box 760 Mineral Wells, Texas 76067	70854	Barden/NMB P. O. Box 231 Dandury, Conn. 06810
20772	Spectronics Inc. 541 Sterling Drive Richardson, Texas 75080	70903	Belden Corporation 415 S. Kilpatrick Avenue Chicago, Illinois
22589	Electro Space Fabricators, Inc. 101 - 125 Centre Avenue Topton, Penn. 19562	71590	Centralab Elect. 5757 N. Greenbay Avenue Milwaukee, Wisc. 53201
23936	Pamotor Inc. 770 Airport Boulevard Burlingame, Calif. 94010	71984	Dow Corning Corporation South Saginaw Road Midland, Mich. 48641
24161	Gates Rubber 2301 N. Dale Mabry P. O. Box 15454 Tampa, Florida 33614	72619	Dialight Corporation 60 Stewart Avenue Brooklyn, N. Y. 11237
24202	Computer Products 1400 N. W. 70th Street P. O. Box 23849 Ft. Lauderdale, Florida 33307	74364	Eastman Chem. Prod., Inc. Eastman Road Kingsport, Tenn. 37662
29227	Herco - Hecht Rubber Company 482 - 484 Riverside Avenue Jacksonville, Florida 32202	74545	Hubbell Harvey, Inc. State Street and Bostwick Avenue Bridgeport, Conn. 06602
		75511	Lamb Electric/Ametek Kent, Ohio 44240

M2

TABLE D-2 LIST OF MANUFACTURERS (CONT'D)

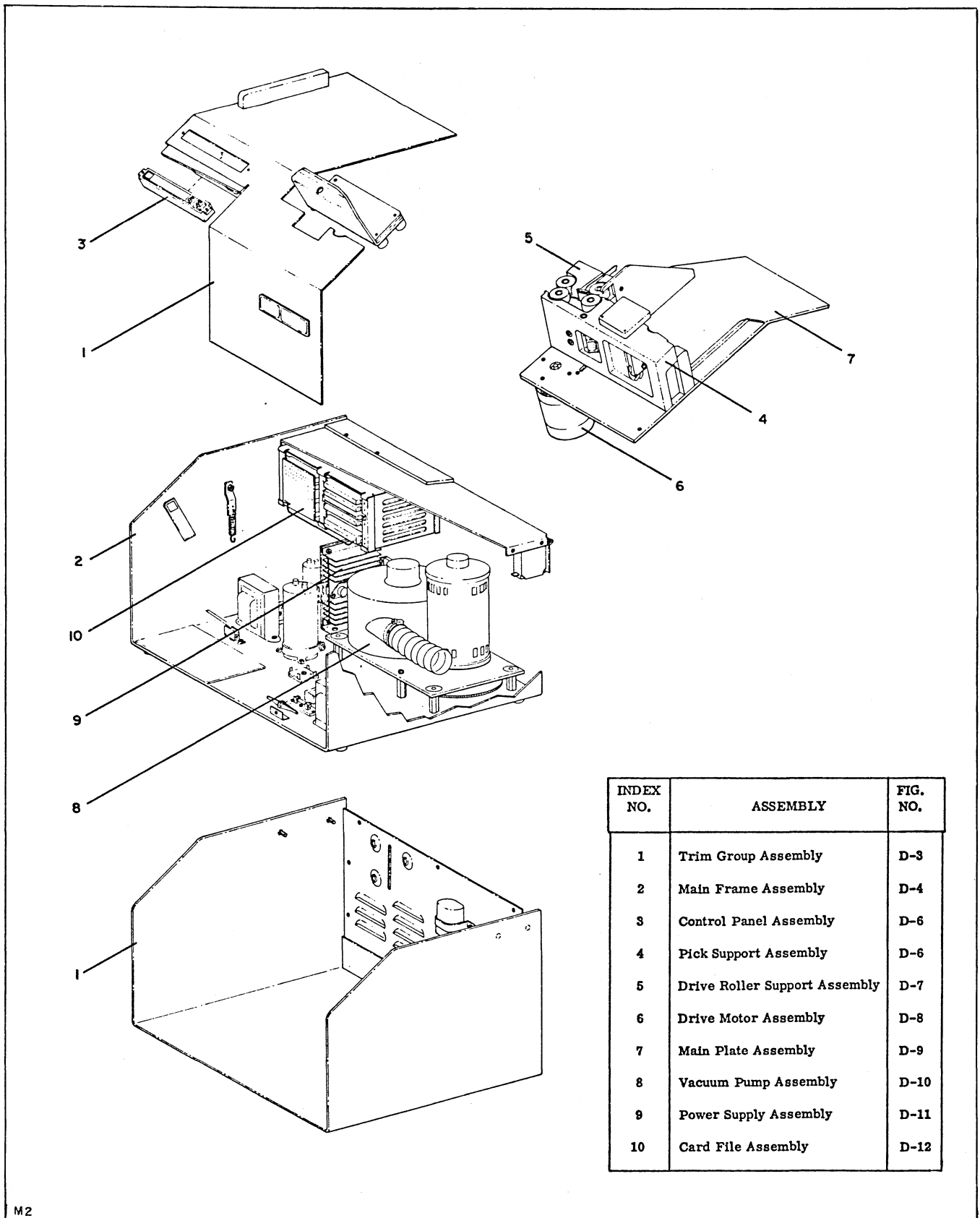
CODE	MANUFACTURER	CODE	MANUFACTURER
	<p>Stancor - Essix Int'l. /Stancor Division 3501 West Addison Street Chicago, Ill. 60618</p> <p>Thompson Industries, Incorporated Manhasset, N. Y. 11030</p> <p>Voyce - Legier 523 N.W. 28th Street Miami, Florida 33127</p>		

M2

TABLE D-2 LIST OF MANUFACTURERS (CONT'D)

CODE	MANUFACTURER	CODE	MANUFACTURER
75915	Littlefuse, Inc. 800 E. Northwest Highway Des Plaines, Illinois 60016	83584	Driv - Lok, Incorporated 1140 Park Avenue Sycamore, Illinois 60178
76005	Lord Manufacturing Company Eric, Pennsylvania 16512	84830	Lee Associates, Incorporated 200 E. Marks Street Orlando, Florida
76599	The Murray Corporation Industrial Park Cockeysville, Maryland 21030	87034	Marco - Oak Industries 2231 N. State Road 7 Lauderhill, Florida 33311
79136	Waldes Kohinoor, Inc. 47 - 16 Austel Place Long Island City, N. Y. 11101	88132	Goodyear Rubber Company 25 Hamlin Middletown, Conn. 06457
80103	Lambda Electronics Corporation 515 Broad Hollow Road Huntington, N. Y. 11749	91637	Dale Electronics, Incorporated P. O. Box 609 Columbus, Neb. 68601
80183	Sprague Products Company North Adams, Mass.	91662	Elco Corporation Maryland Road and Computer Avenue Willow Grove, Pa., 19090
80294	Bourns, Incorporated 1200 Columbia Avenue Riverside, Calif. 92507	92194	Alpha Wire Corporation 711 Lidgerwood Avenue Elizabeth, N. J. 07207
80382	Airco, Incorporated 150 E. 42nd Street New York, N. Y. 10017	94144	Raytheon Company Components Div. Industrial Components Operation Quincy, Mass.
80545	Ametek Hunter Spring 1 Spring Avenue Hatfield, Pa. 19400	95987	Weckesser 4444 West Irving Park Road Chicago, Illinois 60641
81541	Airpax Electronics, Incorporated Woods Road Cambridge, Md. 21613	99743	IMC Magnetics Corporation 6058 Walker Avenue Maywood, Calif. 90270
83014	The Hartwell Corporation 9035 Venice Blvd. Los Angeles, Calif. 90034		Motronics Corporation Riverside Industrial Park Little Falls, N. Y. 13365
83259	Parker - Seal Company 10567 Jefferson Blvd. Culver City, Calif. 90231		Speer Resistor Division Speer Carbon Company A Division of Air Reduction Co., Inc. Bradford, Pennsylvania
83330	Smith Herman H., Incorporated 812 Snediker Avenue Brooklyn, N. Y. 11207		

M2



INDEX NO.	ASSEMBLY	FIG. NO.
1	Trim Group Assembly	D-3
2	Main Frame Assembly	D-4
3	Control Panel Assembly	D-6
4	Pick Support Assembly	D-6
5	Drive Roller Support Assembly	D-7
6	Drive Motor Assembly	D-8
7	Main Plate Assembly	D-9
8	Vacuum Pump Assembly	D-10
9	Power Supply Assembly	D-11
10	Card File Assembly	D-12

M2

FIGURE D-2 M-200 CARD READER

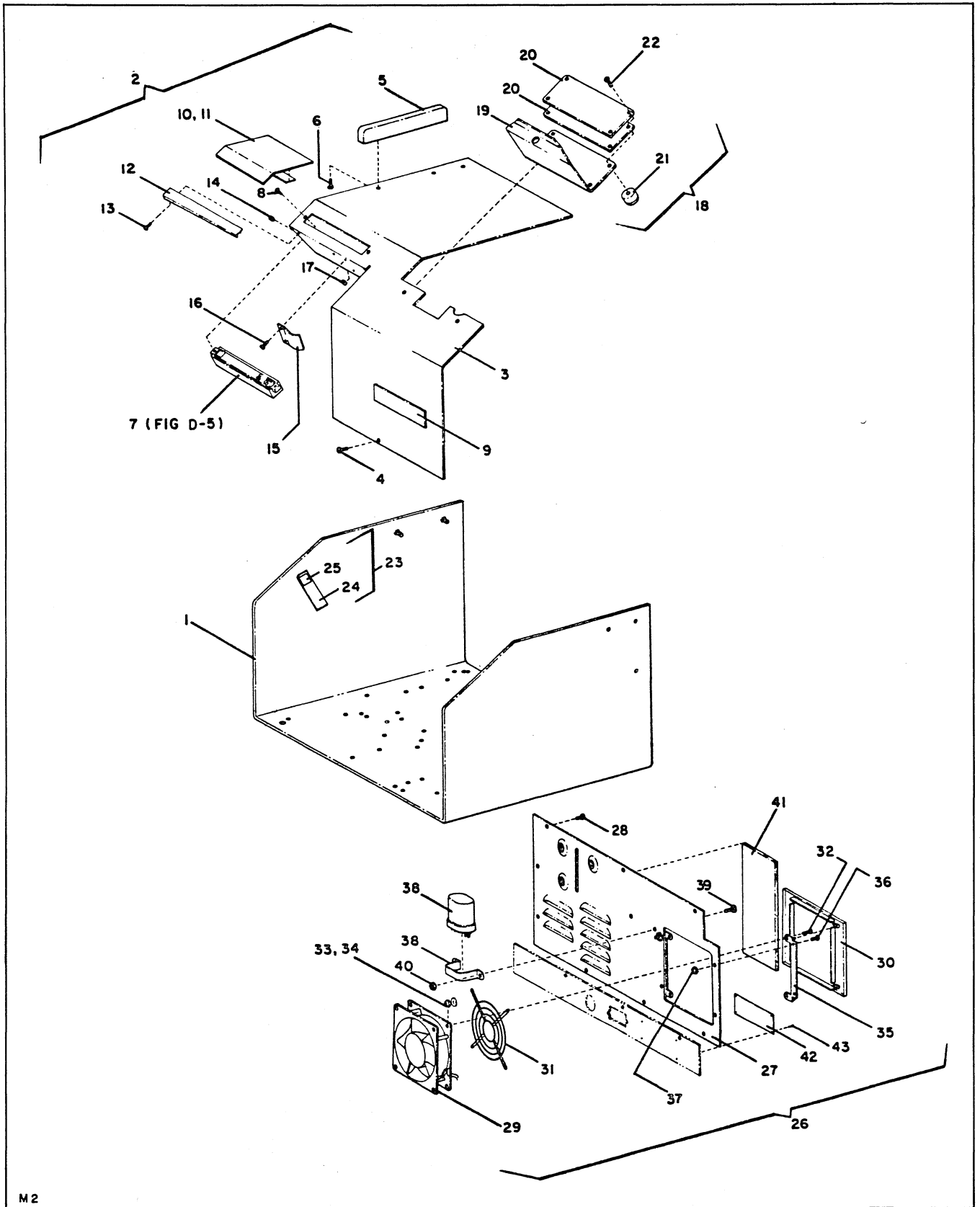


FIGURE D-3 TRIM GROUP ASSEMBLY

FIGURE D-3 TRIM GROUP ASSEMBLY

FIG. INDEX NO.	PART NUMBER	DESCRIPTION							UNITS PER ASSY	VENDOR PART NO.
		1	2	3	4	5	6	7		
	20059001 20059002	TRIM GROUP ASSEMBLY - 115 VAC, 60 Hertz TRIM GROUP ASSEMBLY - 230 VAC, 50 Hertz								
-1	40076801	. MAIN FRAME ASSEMBLY							1	
-2	40053503	. COVER ASSEMBLY							1	
-3	40052501	. . COVER (Attaching Parts)							1	
-4	00000114	. . . SCREW, Button Head BLK 6 - 32 x 1/4							5	
-5	20043801	. . BAR, Tamp (Attaching Parts)							1	
-6	00000382	. . . SCREW, Machine, Pan Head 8 - 32 x 3/8							2	
-7	00000413	. . CONTROL PANEL ASSEMBLY (Fig. D-5) (Attaching Parts)							1	DPA-7164B
-8	00000296	. . . SCREW, Button Head BLK #6 - 32 x 3/8							2	
-9	20028004	. . TAG, Series							1	
-10	00000558	. . FOAM DAMPING, 1/4" x 4" x 10" Voyce-Legier							1	GP-2
-11	REF	. . RUBBER 1/6 x 1" x 7 1/2"							1	
-12	20062301	. . GUIDE, Stacker (Attaching Parts)							1	
-13	00000096	. . . SCREW, Button Head, #4 - 40 x 1/4							2	
-14	00000062	. . . NUT, Hex #4 - 40							2	
-15	20102301	. . CARD DEFLECTOR (Attaching Parts)							1	
-16	00000114	. . . SCREW, Machine, Button Head #6 - 32 x 1/4							2	
-17	00000301	. . . NUT, Hex #6 - 32								
-18	30104501	. FOLLOWER ASSEMBLY							1	
-19	30100901	. . PLATE, Card Follower							1	
-20	30041301	. . BASE, Card Follower							2	
-21	20050201	. . FOOT, Follower (Attaching Parts)							4	
-22	00000377	. . . SCREW, Machine, Pan Head #6 - 32 x 5/8							4	
-23	20061601	. STACK BUMPER PLATE ASSEMBLY							1	
-24	20042701	. . PLATE, Stack Bumper							1	
-25	20042801	. . RUBBER BUMPER							1	
-26	40055701 40082801	. REAR PANEL ASSEMBLY - 115 VAC, 60 Hertz . REAR PANEL ASSEMBLY - 230 VAC, 50 Hertz							1 1	
-27	40050101 40082901	. . PANEL, Rear - 115 VAC, 60 Hertz . . PANEL, Rear - 230 VAC, 50 Hertz (Attaching Parts)							1 1	
-28	00000114	. . . SCREW, Button Head BLK #6 - 32 x 1/4							6	

M2

FIGURE D-3 TRIM GROUP ASSEMBLY (CONT'D)

FIG. INDEX NO.	PART NUMBER	DESCRIPTION	UNITS	VENDOR
			PER ASSY	PART NO.
-29	00000325	. . FAN - 115 VAC, 60 Hertz (23936) W/INTEGRAL COMPONENTS	1	4600
	00000035	CONTACT, Pin (00779)	2	60618-1
	00000499	HOUSING, Pin (00779)	1	1-408319-0
	00000127	TUBING, Heatshrink 1/8 Dia. x 1/2" (92194)	2	FIT-105
	00000164	WIRE, Elec. AWG 20 TWPR GLK-WHT 3" (92194)	1	1854/19
	00000059	MOUNT, Cable Tie (06383)	1	TA158
	00000058	TIE, Cable (06383)	1	SSTIM
	00000326	. . FAN - 230 VAC, 50 Hertz (23936) W/INTEGRAL COMPONENTS	1	2050
	00000035	CONTACT, Pin (00779)	2	60618-1
	00000449	HOUSING, Pin (00779)	1	1-408319-0
	00000087	TUBING, Heatshrink 3/32 Dia. x 1" (92194)	1	FIT-105
	00000530	RECEPTACLE, Faston (.250) (00779)	3	61370-1
	00000452	HOUSING, Receptacle (00779)	3	480416-0
	00000156	WIRE, Elec. AWG 18 TWPR BLK 6 1/2-WHT 7" (92194)	1	1854/19
	00000059	MOUNT, Cable Tie (06383)	1	TA158
	00000058	TIE, Cable (06383)	1	SSTIM
-30	00000323	. . SCREEN, Fan (23936)	1	5503
-31	00000473	. . GUARD, Finger, Metal Fan (IMC) (Attaching Parts)	1	65-175
-32	00000302	. . . SCREW, Pan Head #6 - 32 x 1/2	4	
-33	00000295	. . . WASHER, Flat #6	4	
-34	00000301	. . . NUT, Hex #6 - 32	4	
-35	00000324	. . BRACKETS, Mtg (Pair) (23936) (Attaching Parts)	1	5501
-36	00000356	. . . SCREW, Machine, Flat Head #6 - 32 x 1/4	4	
-37	00000301	. . . NUT, Hex #6 - 32	4	
-38	00000842	. . CAPACITOR, 2.0 µf 370 VAC and Clamp (230 VAC, 50 Hertz Model only) (56289) (Attaching Parts)	1	200P1901TP
-39	00000343	. . . SCREW, Button Head BLK 6 - 32 x 3/8	2	
-40	00000301	. . . NUT, Hex #6 - 32	2	
-41	00000558	. . FOAM, Damping 7 3/8 x 3 3/8 (115 VAC, 60 Hertz only) Joyce Legier	1	GP-2
-42	20028104	. TAG, Model Information - 115 VAC, 60 Hertz	1	
	20028102	. TAG, Model Information - 230 VAC, 50 Hertz (Attaching Parts)	1	
-43	00000488	. . PIN, Drive	4	MS-21318-9
-44	20014801	. CORD, Power, 115 VAC, 60 Hertz	1	
	20087902	. CORD, Power, 230 VAC, 50 Hertz	1	

M2

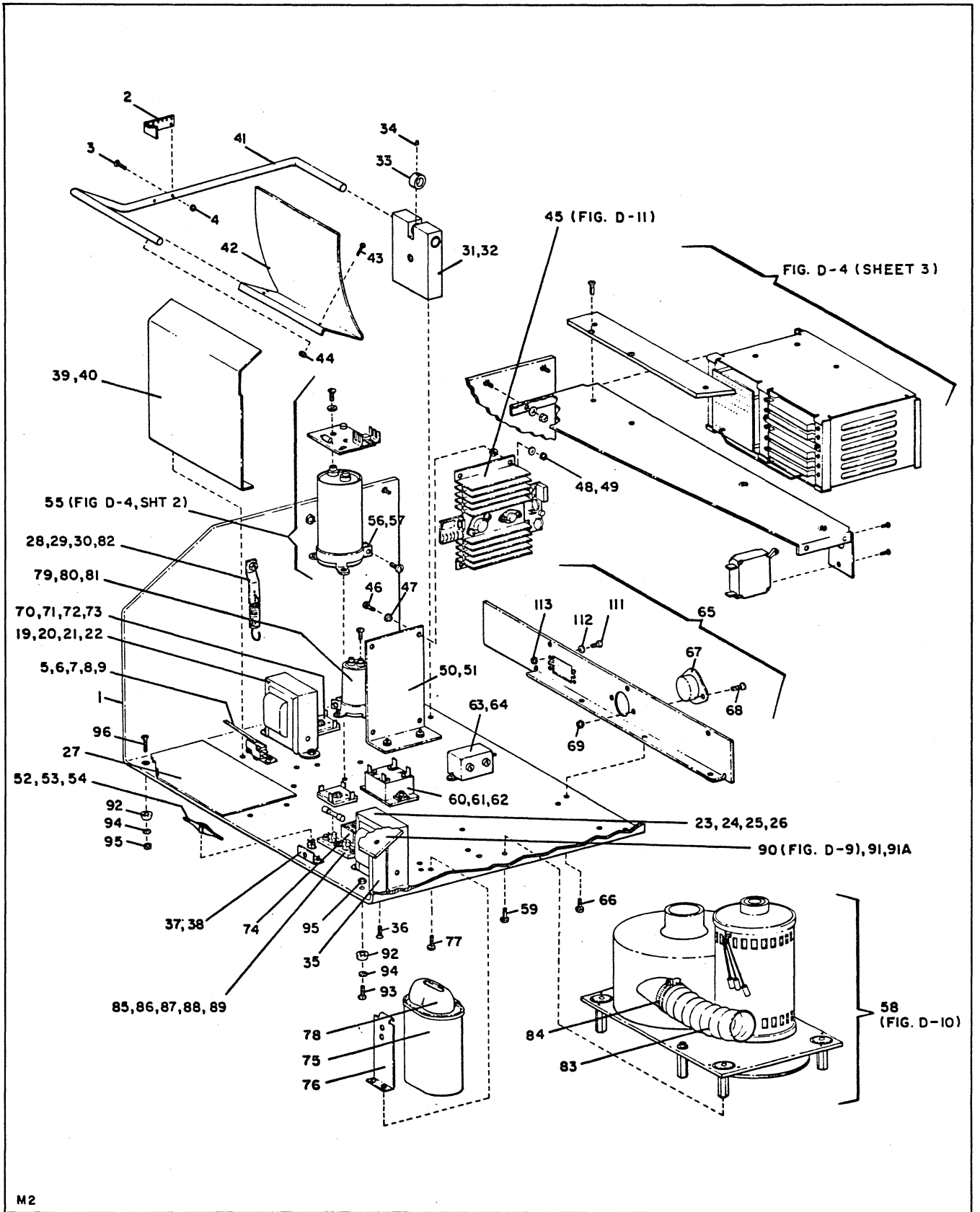
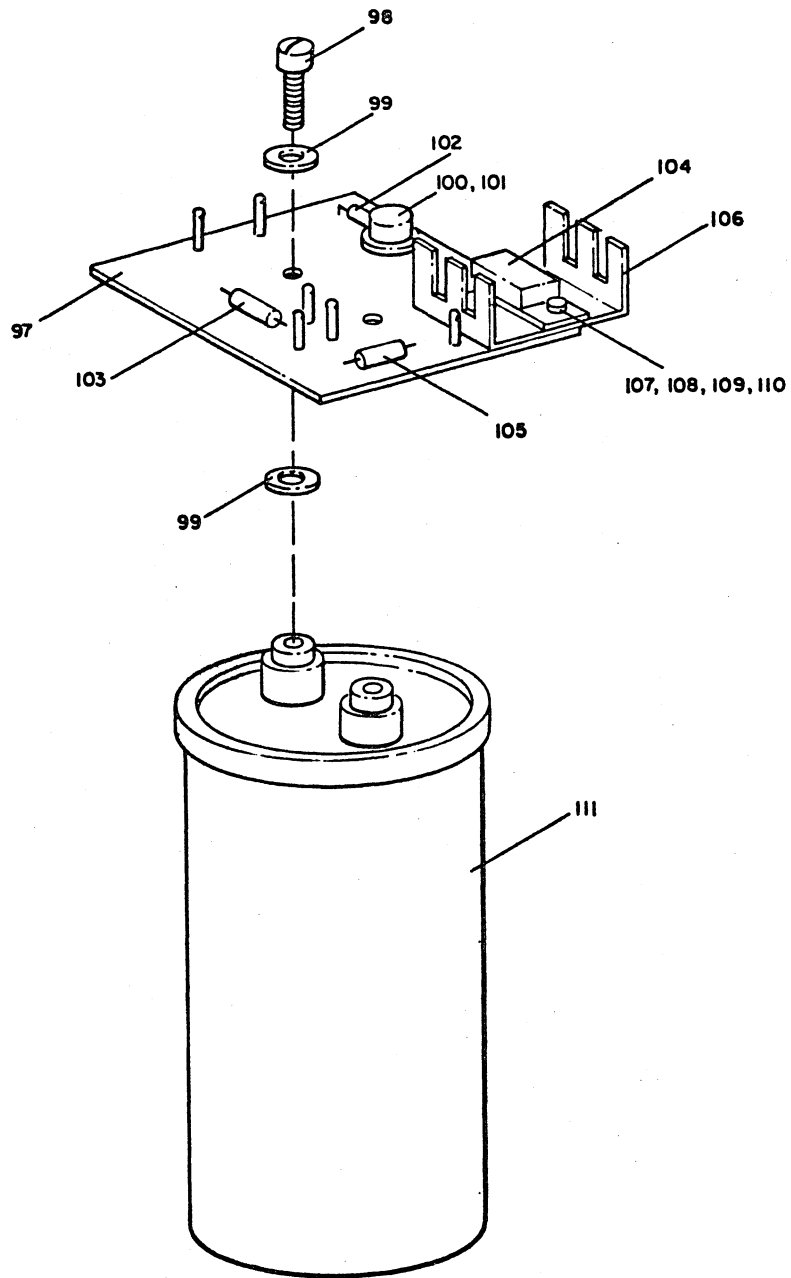


FIGURE D-4 MAIN FRAME ASSEMBLY (Sheet 1 of 3)



M2

FIGURE D-4 MAIN FRAME ASSEMBLY (Sheet 2 of 3)

D-13a

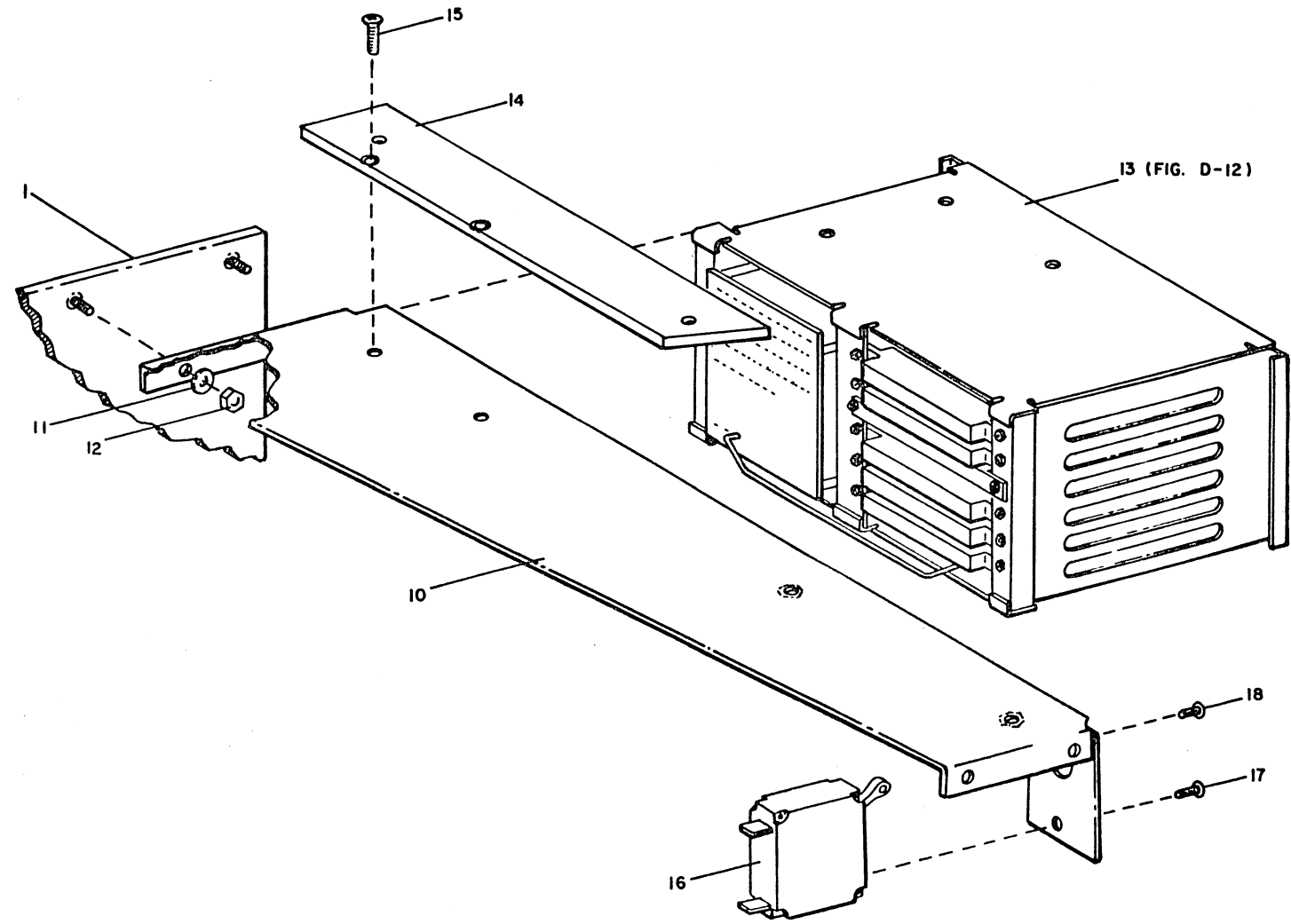


FIGURE D-4 MAIN FRAME ASSEMBLY (Sheet 3 of 3)

FIGURE D-4 MAIN FRAME ASSEMBLY

FIG. INDEX NO.	PART NUMBER	DESCRIPTION 1 2 3 4 5 6 7	UNITS PER ASSY	VENDOR PART NO.
	40075201 40076901	MAIN FRAME ASSEMBLY, 115 VAC, 60 Hertz MAIN FRAME ASSEMBLY, 230 VAC, 50 Hertz		
-1	40042401 40076801	. BASE PLATE - 115 VAC, 60 Hertz . BASE PLATE - 230 VAC, 50 Hertz	1 1	
-2	20043001	. PLATE, Spring (Attaching Parts)	1	
-3	00000345	. . SCREW, Machine Flat Head, #4 - 40 x 1/2	2	
-4	00000062	. . NUT, Hex #4 - 40	2	
-5	20042901	. BRACKET, Switch Mounting	1	
-6	00000313	. SWITCH, Hopper Full (01963) (Attaching Parts)	1	E21-85HX
-7	00000296	. . SCREW, Pan Head, #6 - 32 x 3/8	2	
-8	00000272	. . SCREW, Machine, Pan Head #4 - 40 x 5/8	2	
-9	00000062	. . NUT, Hex #4 - 40	2	
-10	40050001	. BRACKET, Support (Attaching Parts)	1	
-11	00000294	. . WASHER, Flat #8	4	
-12	00000299	. . NUT, Hex #8 - 32	4	
-13	400553XX	. CARD FILE ASSEMBLY (Figure D-12)	1	
-14	30052001	. BAR SPACER (Attaching Parts)	1	
-15	00000382	. . SCREW, Pan Head #8 - 32 x 3/8	3	
-16	00000188 00000185	. CIRCUIT BREAKER, 8 amp - 115 VAC, 60 Hertz (07355) . CIRCUIT BREAKER, 6 amp - 230 VAC, 50 Hertz (07355) (Attaching Parts)	1 1	UPG1-1-6-2-802 UPC1-1-6-2-602
-17	00000356	. . SCREW, Machine Flat Head #6 - 32 x 1/4	1	
-18	00000114	. . SCREW, Button Head #6 - 32 x 1/4	1	
-19	20015602 20073902	. TRANSFORMER, 12 Volt - 115 VAC, 60 Hertz . TRANSFORMER, 12 Volt - 230 VAC, 50 Hertz (Attaching Parts)	1 1	
-20	00000299	. . NUT, Hex #8 - 32	2	
-21	00000294	. . WASHER, Flat #8	2	
-22	00000382	. . SCREW, Machine, Pan Head #8 - 32 x 3/8	2	
-23	20015502 20074002	. TRANSFORMER, 24 Volt - 115 VAC, 60 Hertz . TRANSFORMER, 24 Volt - 230 VAC, 50 Hertz (Attaching Parts)	1 1	
-24	00000299	. . NUT, Hex #8 - 32	2	

M2

FIGURE D-4 MAIN FRAME ASSEMBLY (CONT'D)

FIG. INDEX NO.	PART NUMBER	DESCRIPTION							UNITS PER ASSY	VENDOR PART NO.
		1	2	3	4	5	6	7		
-25	00000294	.	.	WASHER, Flat #8					2	
-26	00000382	.	.	SCREW, Machine, Pan Head #8 - 32 x 3/8					2	
<hr/>										
-27	20042201	.		PLATE, Trim					1	
<hr/>										
-28	20041701	.		BRACKET, Stack Spring (Attaching Parts)					1	
-29	00000294	.	.	WASHER, Flat #8					1	
-30	00000299	.	.	NUT, Hex #8 - 32					1	
-31	30041603	.		SUPPORT ASSEMBLY, Stacker Bearing (Attaching Parts)					1	
-32	00000379	.	.	SCREW, Machine Pan Head #8 - 32 x 1/2					2	
<hr/>										
-33	20053801	.		BUSHING, Retaining (Attaching Parts)					1	
-34	00000297	.	.	SCREW, Set #8 - 32 x 3/16					1	
<hr/>										
-35	20039801	.		PLATE, Support (Attaching Parts)					1	
-36	00000382	.	.	SCREW, Machine Pan Head #8 - 32 x 3/8					1	
<hr/>										
-37	20039301	.		FASTENER, Bracket (Attaching Parts)					1	
-38	00000498	.	.	RIVET, Pop					2	SD44BS
<hr/>										
-39	30046401	.		COVER, Rear, Stacker (Attaching Parts)					1	
-40	00000382	.	.	SCREW, Machine Pan Head, #8 - 32 x 3/8					2	
<hr/>										
-41	30054001	.		ROD, Stack Follower					1	
<hr/>										
-42	30040201	.		TRAY, Stacker (Attaching Parts)					1	
-43	00000345	.	.	SCREW, Machine, Flat Head #4 - 40 x 1/2					3	
-44	00000062	.	.	NUT, Hex #4 - 40					3	
<hr/>										
-45	30029505	.		POWER SUPPLY ASSEMBLY (Figure D-11) (Attaching Parts)					1	
-46	00000296	.	.	SCREW, Machine Pan Head #6 - 32 x 3/8					4	
-47	00000567	.	.	WASHER, Nylon (95987)					8	SW-6-NA
-48	00000295	.	.	WASHER, #6					4	
-49	00000301	.	.	NUT #6 - 32					4	
<hr/>										

M2

FIGURE D-4 MAIN FRAME ASSEMBLY (CONT'D)

FIG. INDEX NO.	PART NUMBER	DESCRIPTION							UNITS PER ASSY	VENDOR PART NO.
		1	2	3	4	5	6	7		
-50	20040701	. BRACKET, Power Supply (Attaching Parts)							1	
-51	00000379	. . SCREW, Machine, Pan Head #8 - 32 x 1/2							2	
-52	00000487	. TOOL (08524)							1	M15570-16
-53	00000132	. CLIP COMPONENT (75915) (Attaching Parts)							1	101002
-54	00000498	. . RIVET, Pop							1	SD44BS
-55	30045801	. SOLENOID DRIVER ASSEMBLY							1	
-56	00000479	. CLAMP, Capacitor (03597) (Attaching Parts)							1	942A734AA1
-57	00000498	. . RIVET, Pop							3	SD44BS
-58	40033302 40033306	. VACUUM PUMP ASSEMBLY - 115 VAC, 60 Hertz (Fig. D-10) . VACUUM PUMP ASSEMBLY - 230 VAC, 50 Hertz (Fig. D-10) (Attaching Parts)								
-59	00000379	. . SCREW, Machine, Pan Head #8 - 32 x 1/2							4	
-60	00000109 00000112	. RELAY, Solid State - 115 VAC, 60 Hertz (12617) . RELAY, Solid State - 230 VAC, 50 Hertz (12617) (Attaching Parts)							1 1	724-11-159 733-12-150
-61	00000303	. . SCREW, Machine, Pan Head #8 - 32 x 5/8							2	
-62	00000294	. . WASHER, Flat #8							2	
-63	20072001	. FILTER ASSEMBLY (Attaching Parts)							1	
-64	00000498	. . RIVET, Pop							2	SD44BS
-65	30058201 30082001 40057601 40082701	. CONNECTOR PANEL ASSEMBLY - 115 VAC, 60 Hertz . CONNECTOR PANEL ASSEMBLY - 230 VAC, 50 Hertz . PANEL, Connector - 115 VAC, 60 Hertz . PANEL, Connector - 230 VAC, 50 Hertz (Attaching Parts)							1 1 1 1	
-66	00000296	. . SCREW, Machine Pan Head #6 - 32 x 3/8							3	
-67	00000476 20114401	. . CONNECTOR, AC - 115 VAC, 60 Hertz (74545) . . FILTER ASSEMBLY - 230 VAC, 50 Hertz (Attaching Parts)							1 1	7486
-68	00000296	. . . SCREW, Machine, Pan Head 6 - 32 x 3/8							2	
-69	00000301	. . . NUT, Plain Hex 6 - 32							2	
-70	00000143	. RECTIFIER, Diode Bridge, 11V - 230 VAC, 50 Hz (04713) (Attaching Parts)							2	MDA980-2
-71	00000376	. . SCREW, Machine, Pan Head #6 - 32 x 3/4							2	
-72	00000295	. . WASHER, Flat #6							2	
-73	00000301	. . NUT, Hex #6 - 32							2	

M2

FIGURE D-4 MAIN FRAME ASSEMBLY (CONT'D)

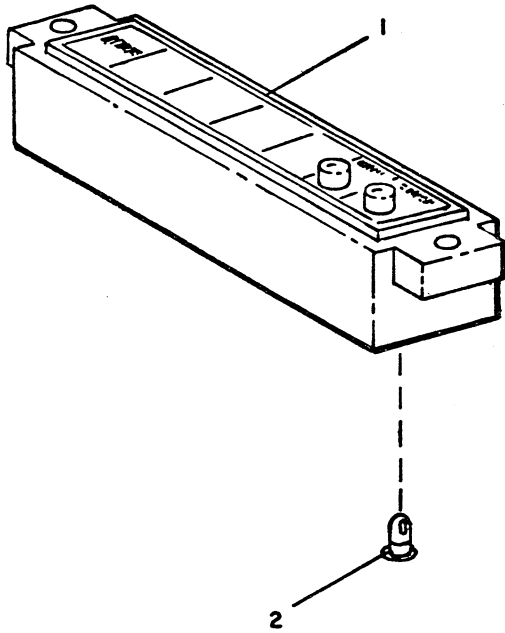
FIG. INDEX NO.	PART NUMBER	DESCRIPTION	UNITS PER ASSY							VENDOR PART NO.
			1	2	3	4	5	6	7	
-74	00000503	. TERMINAL, Junction (08524)							2	TJ11A-0501
-75	00000202	. CAPACITOR, 17.5 μ f, 370V (115 VAC, 60 Hertz) (03597)							1	45F279
	00000880	. CAPACITOR, 10 μ f, 370V (230 VAC, 50 Hertz) (03597)							1	45F276
-76	00000290	. CLAMP, Capacitor (Pair) (03597) (Attaching Parts)							1	302C92P126
-77	00000302	. . SCREW, Machine Pan Head, #6 - 32 x 1/2							4	
-78	00000472	. BOOT, (03597)							1	614A625P21
-79	00000200	. CAPACITOR, 4600 μ f 15VDC - (03597)							1	86F119M
-80	00000479	. CLAMP, Capacitor - 230 VAC, 50 Hertz (03597) (Attaching Parts)							1	942A734AA7
-81	00000498	. . RIVET, Pop							2	SD44BS
-82	00000485	. SPRING (84830)							1	LE-041E-6(MW)
-83	00000471	. HOSE, Flexible, 1 3/4 Dia. x 7 1/2" (80382)							1	A/S
-84	00000407	. CLAMP, Hose 2" Adjustable (76599)							1	H-24
-85	00000147	. FUSE, 1 amp Slo-Blo (75915)							1	313001
-86	00000133	. FUSE HOLDER (75915) (Attaching Parts)							1	356001
-87	00000377	. . SCREW, Machine Pan Head #6 - 32 x 5/8							1	
-88	00000295	. . WASHER, Flat #6							1	
-89	00000301	. . NUT, Hex #6 - 32							1	
-90	40051611	. MAIN PLATE ASSEMBLY - 115 VAC, 60 Hertz (Fig. D-9)							1	
	40051608	. MAIN PLATE ASSEMBLY - 230 VAC, 60 Hertz (Fig. D-9) (Attaching Parts)							1	
-91	00000298	. . SCREW, Machine Flat Head 8 x 32							2	
-91A	00000379	. . SCREW, Machine Pan Head 8 x 32							1	
-92	00000428	. BUMPER, Rubber, White (83330) (Attaching Parts)							4	SC-399
-93	00000379	. . SCREW, Machine Pan Head #8 - 32 x 1/2							3	
-94	00000294	. . WASHER, Flat #8							4	
-95	00000299	. . NUT, Hex #8 - 32							4	
-96	00000379	. . SCREW, Machine Flat Head #8 - 32 x 1/2							1	
REF	30045801	. SOLENOID DRIVER ASSEMBLY							1	
-97	20010201	. . P. C. BOARD, Solenoid Driver (Attaching Parts)							1	
-98	00000199	. . . SCREW, Machine Pan Head 10 - 32 (supplied with item 111)							2	
-99	00000444	. . . WASHER, Lock Internal Tooth #10							4	
-100	00000107	. . PAD, Transistor (RED) (13103)							1	7717-145
-101	00000139	. . TRANSISTOR, Power NPN (01295)							1	2N2102

M2

FIGURE D-4 MAIN FRAME ASSEMBLY (CONT'D)

FIG. INDEX NO.	PART NUMBER	DESCRIPTION	UNITS PER ASSY							VENDOR PART NO.
			1	2	3	4	5	6	7	
-102	00000247	. . RESISTOR, 270 ohm \pm 10% 1/4W							1	RCO7GF271K
-103	00000236	. . RESISTOR, 10K \pm 10% 1/2W							1	RC20GF103K
-104	00000141	. . TRANSISTOR, Power NPN (10295)							1	TP41C
-105	00000040	. . DIODE (01295)							1	1N4003
-106	00000108	. . HEATSINK (13103) (Attaching Parts)							1	6107A-14
-107	00000361	. . . SCREW, Machine Pan Head #4 - 40 x 3/8							1	
-108	00000141	. . . WASHER, Torque (supplied with item 103)							1	
-109	00000062	. . . NUT, Plain Hex #4 - 40							1	
-110	00000556	. . . COMPOUND, Heatsink (13103)							A/R	
-111	00000199	. . CAPACITOR, 6200 μ f 75VDC (03597)							1	86F177M
-112	00000157	. . WIRE, Electrical AWG 18 BRN 13" (92194)							1	1857/19-7
-113	00000152	. . WIRE, Electrical AWG 18 TP ORN-BRN 14" (92194)							1	1858/A
-114	00000160	. . WIRE, Electrical AWG 18 TP WHT-WHT 16" (92194)							1	1857/19-1
-115	00000019	. . CABLE 7" (92194)							1	3221-1-2
-116	00000530	. . RECEPTACLE, Faston (.250) (00779)							2	61370-1
-117	00000463	. . TERMINAL, Ring Tongue (00779)							1	32949
-118	00000035	. . CONTACT, Pin (00779)							2	60818-1
-119	00000449	. . HOUSING, Pin (00779)							2	1-480319-0
-120	00000036	. . CONTACT, Connector, Ampleaf (00779)							2	42839-4
-121	00000034	. . CONTACT, Connector, Ampleaf (00779)							1	42840-3
-122	00000086	. . TUBING, Heat Shrink 3/16 x 1/2 (92194)							2	FIT-105
-123	00000087	. . TUBING, Heat Shrink 3/32 x 1/2 (92194)							1	FIT-105
-124	00000452	. . HOUSING, Receptacle (00779)							2	480416-0
<hr/>										
-125	20028703	. CABLE ASSEMBLY, Fan							1	
-126	20028702	. CABLE ASSEMBLY, Drive Motor - 115 VAC, 60 Hertz							1	
	20027607	. CABLE ASSEMBLY, Drive Motor - 230 VAC, 50 Hertz							1	
-127	20027602	. CABLE ASSEMBLY, Bridge to Cap							1	
-128	20027502	. CABLE ASSEMBLY, Vacuum Pump Relay							1	
-129	20027510	. CABLE ASSEMBLY, Vacuum Pump Cap.							1	
-130	20027608	. CABLE ASSEMBLY, Relay							1	
-131	20027606	. CABLE ASSEMBLY, Hopper Full							1	
-132	20027605	. CABLE ASSEMBLY, Hopper Empty							1	
-133	20027513	. CABLE ASSEMBLY, Fuse							1	
-134	40075501	. WIRING DIAGRAM - 115 VAC, 60 Hertz								
	40081910	. WIRING DIAGRAM - 230 VAC, 50 Hertz								
-135	00000555	. ADHESIVE, Pliobond (88132)							A/R	
-136	00000556	. COMPOUND, Heatsink (13103)							A/R	
-137	00000531	. LOCTITE, Grade C							A/R	
-138	00000058	. TIE, Cable (06383)							16	SSTIM
-139	00000059	. MOUNT, Cable (06383)							8	TAIS8
-140	00000390	. SCREW, Cap Socket Head #4 - 40 x 5/8							4	
-141	00000065	. WASHER, Flat #4							4	
-142	00000062	. NUT, Hex #4 - 40							4	
-143	20027509	. CABLE ASSEMBLY, Ground								

M2



M2

FIGURE D-5 CONTROL PANEL ASSEMBLY

FIGURE D-5 CONTROL PANEL ASSEMBLY

FIG. INDEX NO.	PART NUMBER	DESCRIPTION							UNITS PER ASSY	VENDOR PART NO.
		1	2	3	4	5	6	7		
-1	00000413	CONTROL PANEL ASSEMBLY (07137)							1	DPA 7164B
-2	00000318	. CONTROL PANEL (07137)								
		. LAMP, Incandescent, 6V @ .2A T-1 3/4 Mid Flg. Base (18788)							7	381

M2

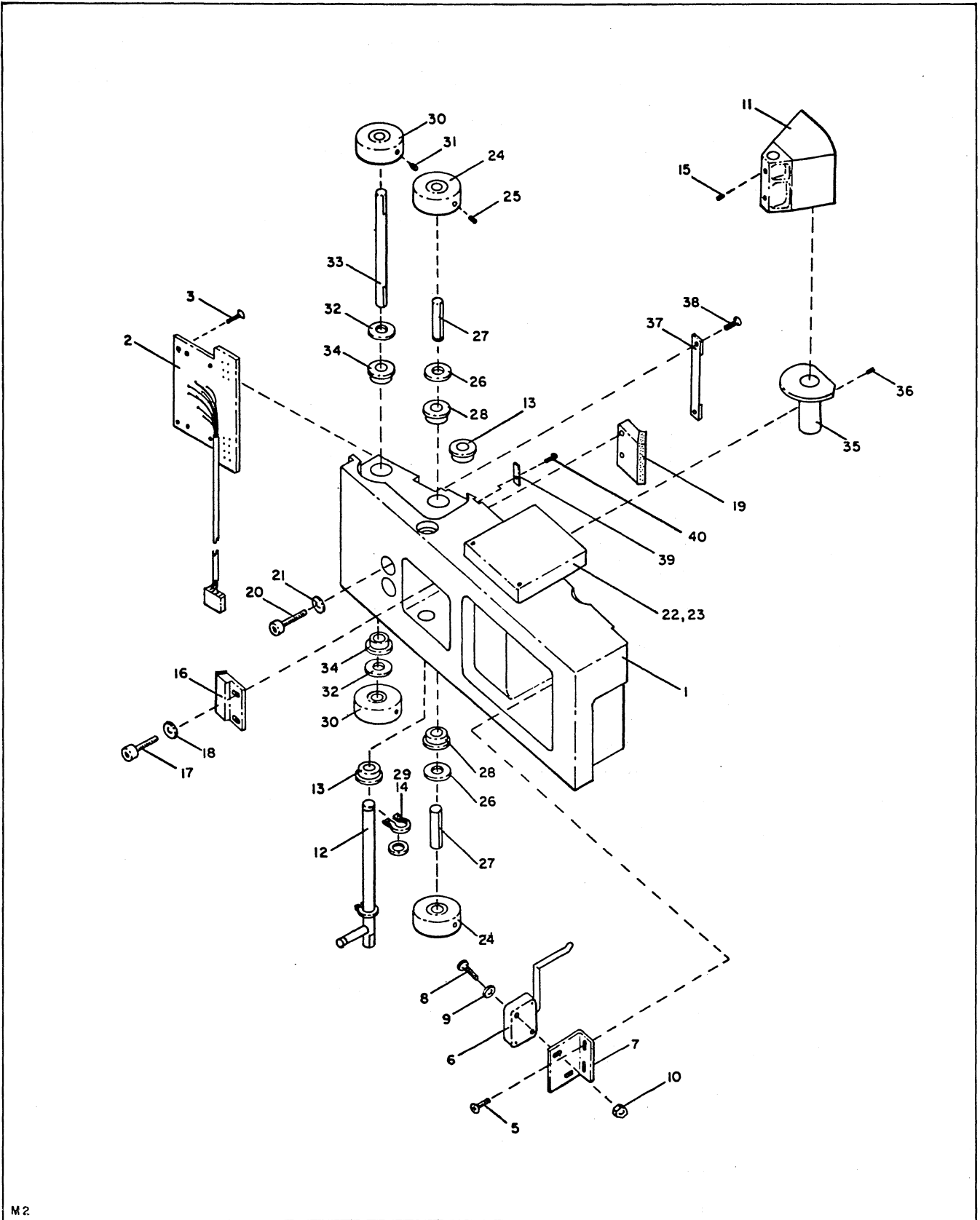


FIGURE D-6 PICK SUPPORT ASSEMBLY

FIGURE D-6 PICK SUPPORT ASSEMBLY

FIG. INDEX NO.	PART NUMBER	DESCRIPTION							UNITS PER ASSY	VENDOR PART NO.
		1	2	3	4	5	6	7		
	40047102	PICK SUPPORT ASSEMBLY								
-1	40070902	. SUPPORT, Pick							1	
-2	30014401	. LIGHT STATION ASSEMBLY (Attaching Parts)							1	
-3	00000344	. . SCREW, Machine Flat Head 2 - 56 x 1/4							4	
-4	20027701	. SWITCH ASSEMBLY, Hopper Empty (Attaching Parts)							1	
-5	00000096	. . . SCREW, Machine Pan Head 4 - 40 x 1/4							2	
-6	10023501	. . SWITCH, Hopper Empty							1	
-7	20023401	. . BRACKET, Switch (Attaching Parts)							1	
-8	00000272	. . . SCREW, Machine Binder 4 - 40 x 5/8							2	
-9	00000066	. . . WASHER, Lock Int. tooth #4							2	
-10	00000062	. . . NUT, Plain Hex #4 - 40							2	
-11	30003701	. SECTOR ASSEMBLY (Attaching Parts)							1	
-12	20101401	. . SHAFT, Pick Assembly							1	
-13	00000429	. . BEARING, (14927)							2	SFR188TT (3)
-14	00000467	. . RING, Snap (79136)							2	5100-25
-15	00000297	. . SCREW, Set, Cup PT 8 - 32 x 3/16							2	
-16	10004101	. STOP, Pick (Attaching Parts)							1	
-17	00000398	. . SCREW, Cap, Socket Head 6 - 32 x 5/8							2	
-18	00000295	. . WASHER, Flat #6							2	
-19	10004701	. BUMPER, Pick (Attaching Parts)							1	
-20	00000293	. . SCREW, Cap, Socket Head 8 - 32 x 1/2							2	
-21	00000294	. . WASHER, Flat #8							2	
-22	30023303	. CAP ASSEMBLY, Rifle Air (Attaching Parts)							1	
-23	00000391	. . SCREW, Cap, Socket Head, 4 - 40 x 3/4							2	
-24	20005901	DRIVE ROLLER, 2nd Pick Drive Assembly . CAPSTAN (Attaching Parts)							2	
-25	00000292	. . SCREW, Set Knurled Cup, 6 - 32 x 3/16							2	
-26	00000432	. SPACER, Bearing (29440)							2	SS-2-26, 28 or 30

M2

FIGURE D-6 PICK SUPPORT ASSEMBLY (CONT'D)

FIG. INDEX NO.	PART NUMBER	DESCRIPTION	UNITS PER ASSY	VENDOR PART NO.	
				1 2 3 4 5 6 7	
-27	10002201	. SHAFT, Drive Roller	2		
-28	00000429	. BEARING (14927)	4		SFR188TT (3)
-29	00000467	. RING, Snap (79136)	2		5100-2S
<hr/>					
STACK DRIVE, 1st Pick Drive Assembly					
-30	20005901	. CAPSTAN (Attaching Parts)	2		
-31	00000391	. . SCREW, Set, Knurled Cup, 3 - 32 x 3/16	2		
-32	00000432	. SPACER, Bearing (29440)	2		SS-2-26, 28 or 30
-33	10003003	. SHAFT, Stack Drive	1		
-34	00000429	. BEARING (14927)	2		SFR188TT (3)
<hr/>					
-35	20004801	. TUBE, Pick Vacuum (Attaching Parts)	1		
-36	00000564	. . SCREW, Set, 4 - 40 x 3/32	1		
<hr/>					
-37	20008101	. GUIDE, Card (Attaching Parts)	1		
-38	00000346	. . SCREW, Machine, Flat Head #4 - 40 x 1/4	2		
<hr/>					
-39	20072801	. INSERT, Pick Support (Attaching Parts)	2		
-40	00000565	. . SCREW, Machine, Undercut, Flat HD 2 - 56 x 3/16	2		

M2

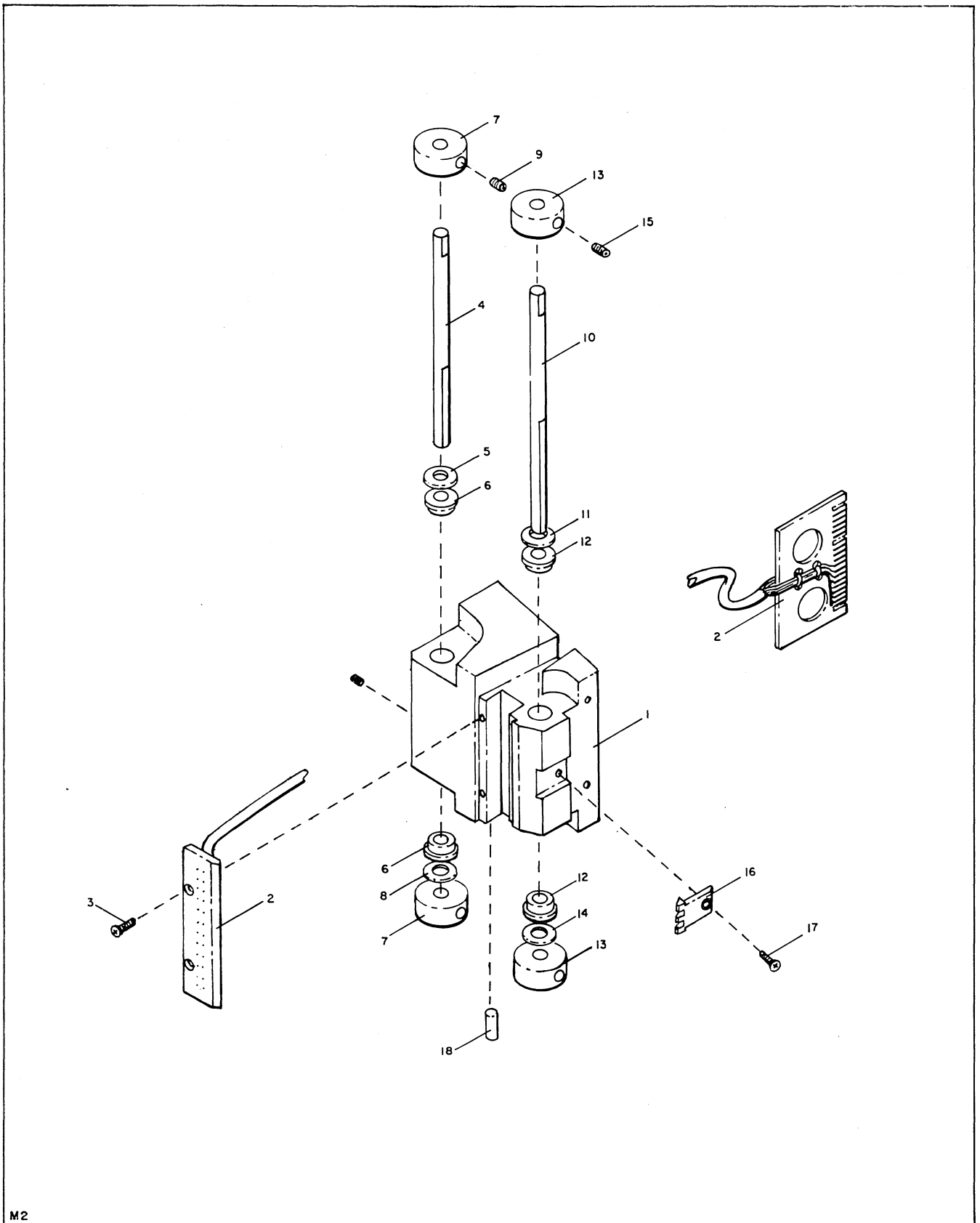


FIGURE D-7 DRIVE ROLLER SUPPORT ASSEMBLY

FIGURE D-7 DRIVE ROLLER SUPPORT ASSEMBLY

FIG. INDEX NO.	PART NUMBER	DESCRIPTION							UNITS PER ASSY	VENDOR PART NO.
		1	2	3	4	5	6	7		
-1	30051202 30050801	DRIVE ROLLER SUPPORT ASSEMBLY . SUPPORT, Drive Roller							1	
-2	30057201	. READ STATION ASSEMBLY, Single (Attaching Parts)							1	
-3	00000353	. . SCREW, Machine, Flat Head, 4 - 40 x 1/4							2	
FIRST STACK DRIVE ASSEMBLY										
-4	10003001	. SHAFT, Stack Drive							1	
-5	00000431	. SPACER, Bearing (29440)							A/R	SS-27
	00000432	. SPACER, Bearing (29440)							A/R	SS-28
	00000433	. SPACER, Bearing (29440)							A/R	SS-30
-6	00000429	. BEARING (14927)							2	SFR188TT (3)
-7	20002101	. ROLLER, Drive							2	
-8	00000435	. SPRING, Bearing Pre-Load (29440) (Attaching Parts)							1	SV-1
-9	00000292	. . SCREW, Set, Knurled Cup PT 6 - 32 x 3/16							2	
SECOND STACK DRIVE ASSEMBLY										
-10	10003002	. SHAFT, Stack Drive							1	
-11	00000431	. SPACER, Bearing (29440)							A/R	SS-27
	00000432	. SPACER, Bearing (29440)							A/R	SS-28
	00000433	. SPACER, Bearing (29440)							A/R	SS-30
-12	00000429	. BEARING, (14927)							2	SFR188TT (3)
-13	20002101	. ROLLER, Drive							2	
-14	00000435	. SPRING, Bearing Pre-Load (29440) (Attaching Parts)							1	SV-1
-15	00000292	. . SCREW, Set, Knurled Cup PT 6 - 32 x 3/16							2	
-16	10075801	. THROAT, Pick (Attaching Parts)							1	
-17	00000305	. . SCREW, Machine, Pan Head #4 - 40 x 1/4							1	
-18	00000492	. PIN, Dowel .250 Dia. x 1/2 Hard Steel (70276)							1	

M2

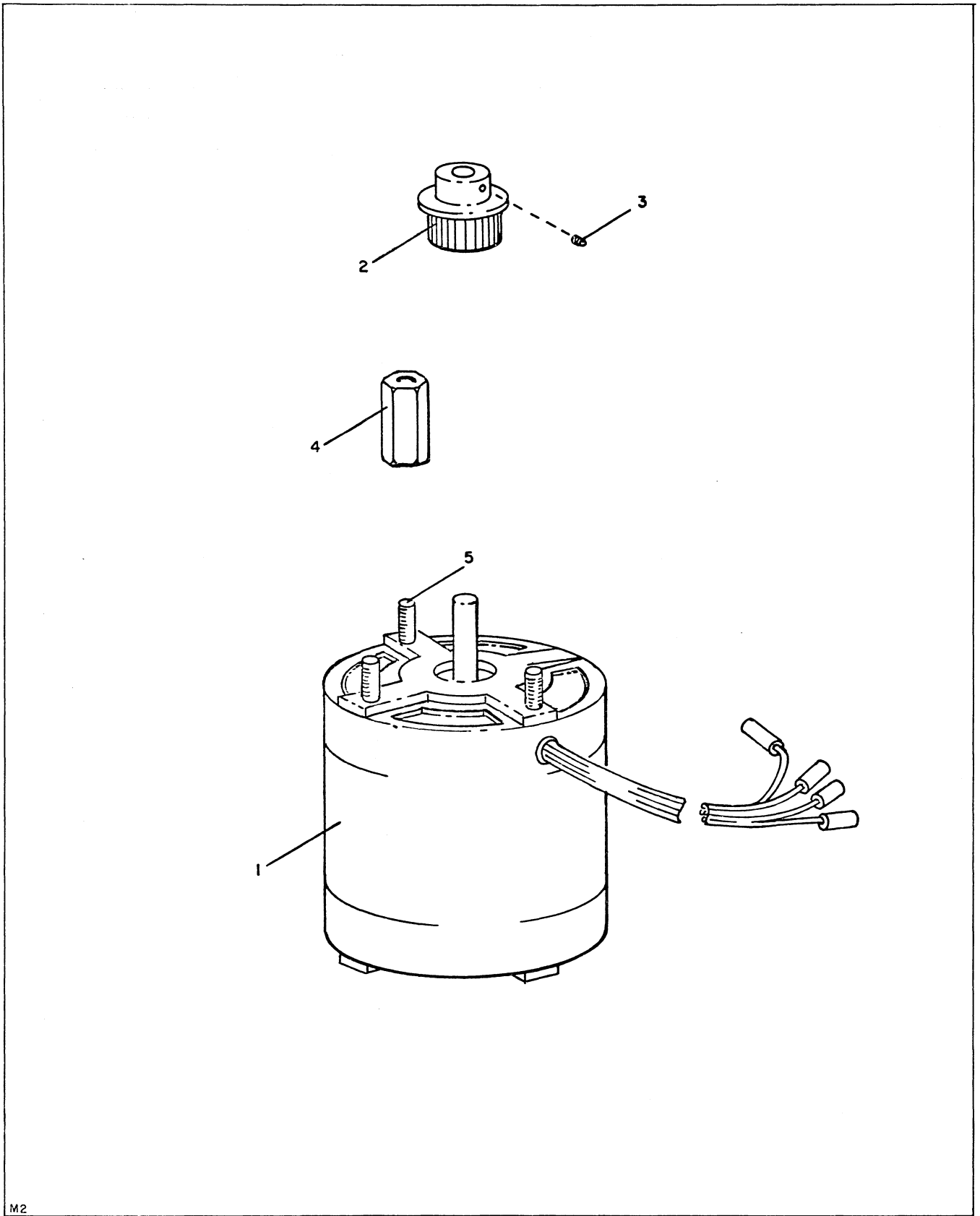
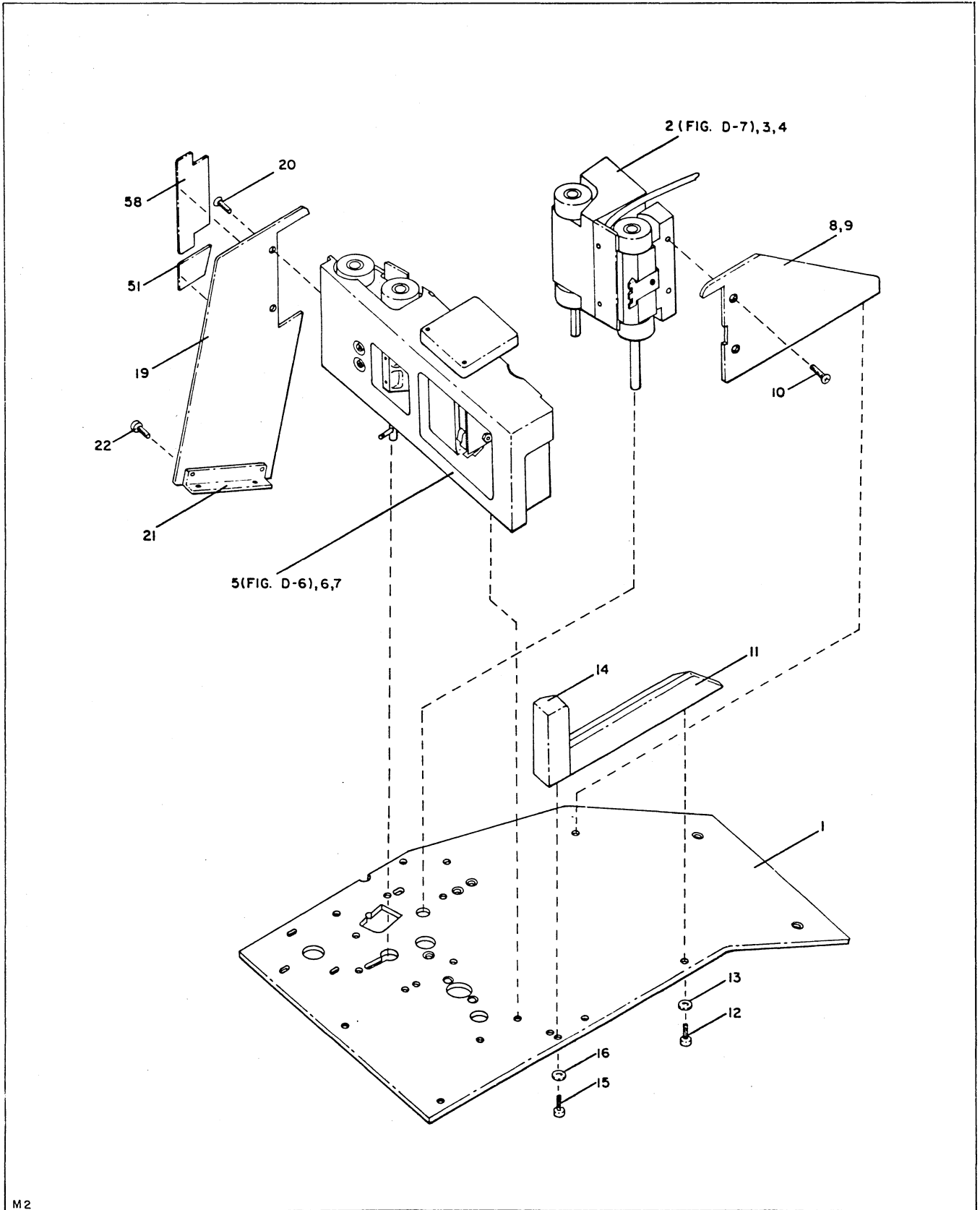


FIGURE D-8 DRIVE MOTOR ASSEMBLY

FIGURE D-8 DRIVE MOTOR ASSEMBLY

FIG. INDEX NO.	PART NUMBER	DESCRIPTION							UNITS PER ASSY	VENDOR PART NO.
		1	2	3	4	5	6	7		
	20092903	DRIVE MOTOR ASSEMBLY - 115 VAC, 60 Hertz								
	20092904	DRIVE MOTOR ASSEMBLY - 230 VAC, 50 Hertz								
-1	00000682	. MOTOR (19070)							1	H34CBR-5
-2	20127001	. PULLEY - 115 VAC, 60 Hertz							1	
	20127002	. PULLEY - 230 VAC, 50 Hertz							1	
		(Attaching Parts)								
-3	20127001	. . SCREW, Set 6 - 32 (Supplied with item 2)							2	
-4	20049601	. STANDOFF							3	
-5	00000434	. STUD, Threaded 10 - 32 x 3/4							3	
-6	00000295	. CONTACT, Connector SKT Crimp (00779)							6	
-7	00000610	. HOUSING, Connector, 6 Pos. SKT (00779)							1	

M2



M2

FIGURE D-9 MAIN PLATE ASSEMBLY (Sheet 1 of 2)

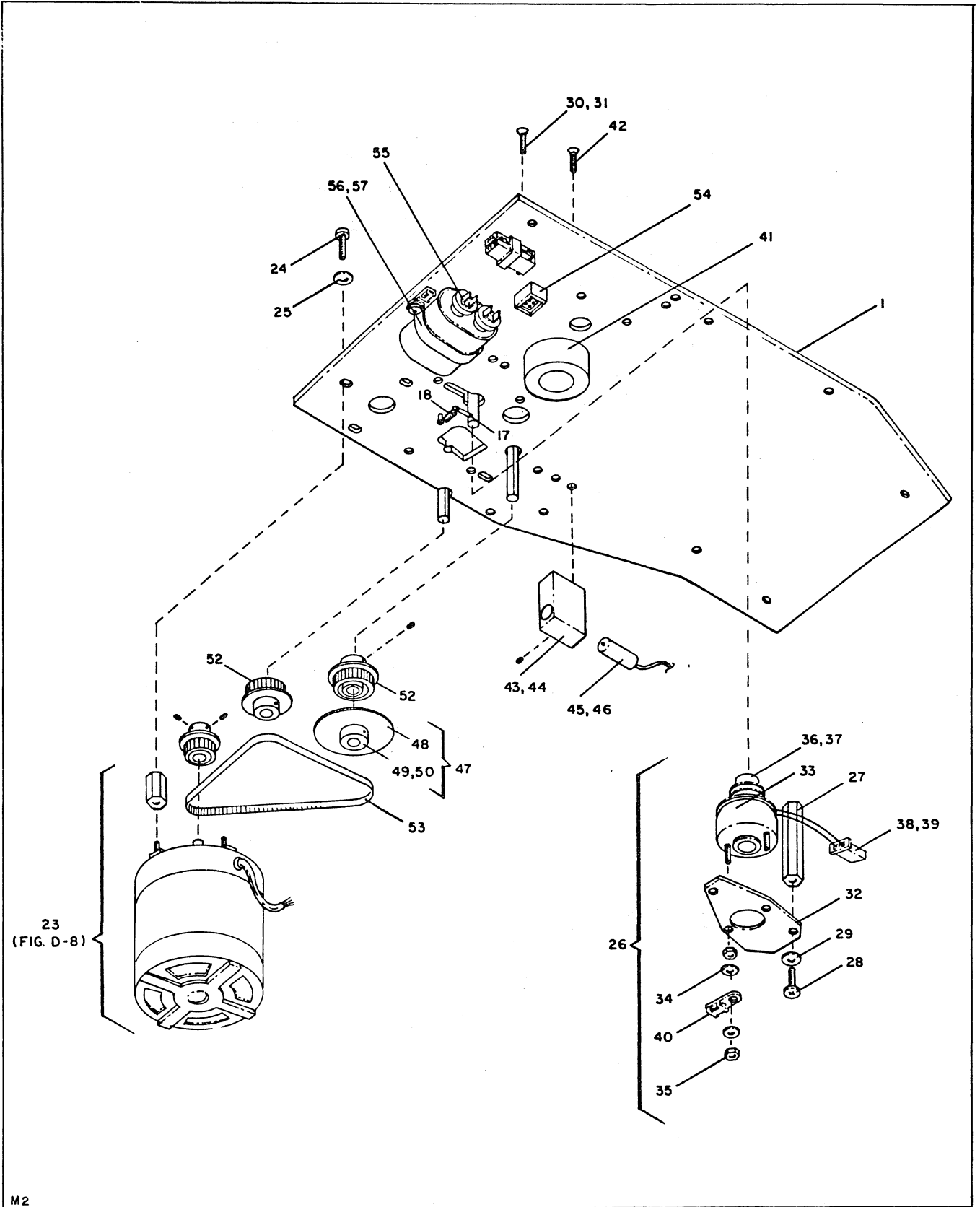


FIGURE D-9 MAIN PLATE ASSEMBLY (Sheet 2 of 2)

FIGURE D-9 MAIN PLATE ASSEMBLY

FIG. INDEX NO.	PART NUMBER	DESCRIPTION	UNITS PER ASSY	VENDOR PART NO.		
					1	2
	40051611	MAIN PLATE ASSEMBLY - 115 VAC, 60 Hertz	1			
	40051608	MAIN PLATE ASSEMBLY - 230 VAC, 50 Hertz	1			
-1	40040402	. PLATE, Picker Mounting	1			
-2	30051202	. DRIVE ROLLER SUPPORT ASSEMBLY (Figure D-7) (Attaching Parts)	1			
-3	00000396	. . SCREW, Cap Socket Head, 8 - 32 x 5/8	3			
-4	00000294	. . WASHER, Flat #8	3			
-5	40047102	. PICK SUPPORT ASSEMBLY (Figure D-6) (Attaching Parts)	1			
-6	00000396	. . SCREW, Cap Socket Head, 8 - 32 x 5/8	6			
-7	00000294	. . WASHER, Flat #8	6			
-8	30051101	. WALL, Input Hopper (Attaching Parts)	1			
-9	00000063	. . SCREW, Machine Pan Head, 4 - 40 x 1/2	1			
-10	00000379	. . SCREW, Machine Pan Head, 8 - 32 x 1/2	2			
-11	20043201	. RAIL, Guide (Attaching Parts)	1			
-12	00000396	. . SCREW, Cap Socket Head, 8 - 32 x 5/8	2			
-13	00000294	. . WASHER, Flat #8	2			
-14	20043102	. BLOCK, Guide (Attaching Parts)	1			
-15	00000392	. . SCREW, Cap, Socket Head, 6 - 32 x 1/2	2			
-16	00000295	. . WASHER, Flat #6	2			
-17	00000438	. PIN, Spring (83584)	1	G33-16 x 1-2 LE-026-C2MW		
-18	00000285	. SPRING, Solenoid (84830)	1			
-19	30039501	. SUPPORT, Side Plate (Attaching Parts)	1			
-20	00000358	. . SCREW, Machine Flat Head, 8 - 32 x 3/8	2			
-21	20040301	. BRACKET, Side Plate Mtg. (Attaching Parts)	1			
-22	00000382	. . SCREW, Machine Pan Head, 8 - 32 x 3/8	2			
-23	20092903	. DRIVE MOTOR ASSEMBLY - 115 VAC, 60 Hz (Fig. D-8)				
	20092904	. DRIVE MOTOR ASSEMBLY - 230 VAC, 50 Hz (Fig. D-8) (Attaching Parts)				
-24	00000561	. . SCREW, Cap, Socket Head, 10 - 32 x 1/2	3			
-25	00000442	. . WASHER, Flat #10	3			

M2

FIGURE D-9 MAIN PLATE ASSEMBLY (CONT'D)

FIG. INDEX NO.	PART NUMBER	DESCRIPTION	UNITS PER ASSY	VENDOR PART NO.		
					1	2
-26	20049801	. SOLENOID ASSEMBLY	1			
-27	10022002	. . STANDOFF (Solenoid) (Attaching Parts)	2			
-28	00000396	. . . SCREW, Cap Socket Head, 8 - 32 x 5/8	2			
-29	00000294	. . . WASHER, Flat #8	2			
-30	00000358	. . . SCREW, Machine, Flat Head, 8 - 32 x 3/8	1			
-31	00000298	. . . SCREW, Machine, Flat Head, 8 - 32 x 1/2	1			
-32	20049701	. . PLATE, Solenoid Mounting	1			
-33	20010601	. . SOLENOID, Pick (Attaching Parts)	1			
-34	00000294	. . . WASHER, Flat #8	3			
-35	00000299	. . . NUT, Hex 8 - 32	3			
-36	10010501	. . COUPLING, Solenoid (Attaching Parts)	1			
-37	00000292	. . . SCREW, Set Knurled Cup PT 6 - 32 x 3/16	4			
-38	00000526	. . CONTACT, Socket (00779)	2	60617-1		
-39	00000448	. . HOUSING, Socket (00779)	1	1-480318-0		
-40	00000059	. . MOUNT, Cable Tie (06383)	1	TA158-C		
<hr/>						
-41	20031901	. FITTING AIR OUTLET (Attaching Parts)	1			
-42	00000358	. . SCREW, Machine, Flat Head, 8 - 32 x 3/8	2			
<hr/>						
-43	20010401	. MAGNETIC PICKUP HOLDER (Attaching Parts)	1			
-44	00000304	. . SCREW, Machine, Flat Head, 6 - 32 x 1/2	2			
-45	00000447	. PICK-UP, Magnetic (07355) (Attaching Parts)	1	1-0194/086-2110019		
-46	00000867	. . SCREW, Set, 6 - 32 x 1/8 Flat	1			
<hr/>						
-47	20022301	. TIMING DISC ASSEMBLY				
-48	20005601	. . TIMING DISC	1			
-49	20005701	. . TIMING DISC MOUNTING COLLAR (Attaching Parts)	1			
-50	00000297	. . . SCREW, Set, Knurled Cup PT, 8 - 32 x 3/16	1			
<hr/>						
-51	20101801	. PLATE, Stack Guide	1			
-52	20127005	. PULLEY	2			
-53	00000282	. BELT (07108)	1	130 XL025		
-54	00000504	. JUNCTION, Terminal (08524)	1	TJ11A-05-02		
<hr/>						
-55	00000511	. CAPACITOR, 2 μ f, 270 VAC (115 VAC, 60 Hz) (03597)	1	45F270		
	00000205	. CAPACITOR, 3 μ f, 370 VAC (230 VAC, 50 Hz) (03597)	1	45F271		
-56	00000289	. CLAMP, Capacitor (03597) (Attaching Parts)	1	K9827065P21		
-57	00000382	. . SCREW, Machine, Pan Head 8 - 32 x 3/8	2			
<hr/>						

M2

FIGURE D-9 MAIN PLATE ASSEMBLY (CONT'D)

FIG. INDEX NO.	PART NUMBER	DESCRIPTION							UNITS PER ASSY	VENDOR PART NO.
		1	2	3	4	5	6	7		
-58	20042601	.							1	
-59	00000058	.							5	SSTIM
-60	00000059	.							3	TA158-C
-61	00000498	.							1	SD44BS
-62	20027505	.							1	
-63	20027607	.							1	
-64	20139101	.							1	
	20139102	.							1	
-65	00000555	.							A/R	

M2

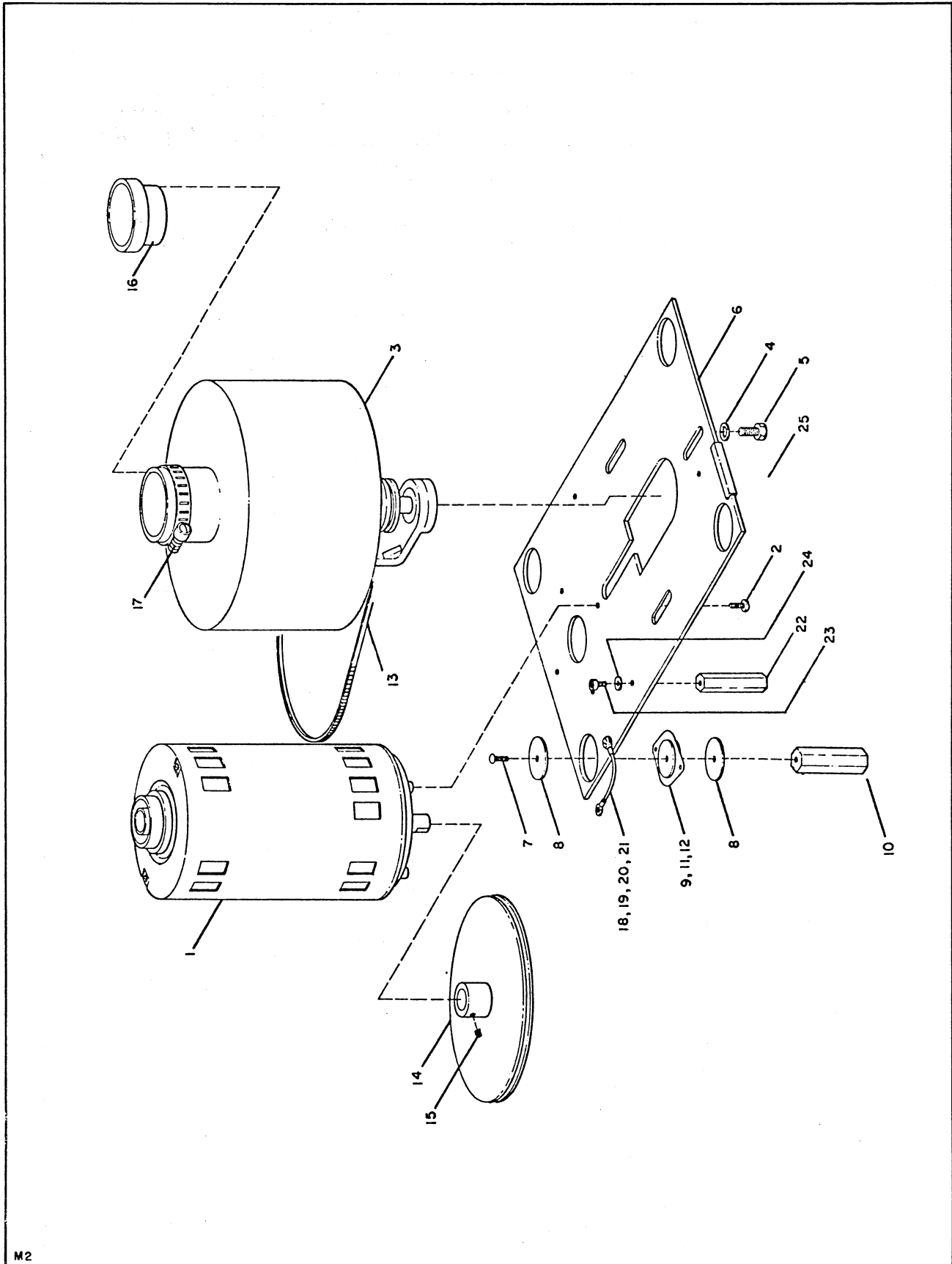


FIGURE D-10 VACUUM PUMP ASSEMBLY

FIGURE D-10 VACUUM PUMP ASSEMBLY

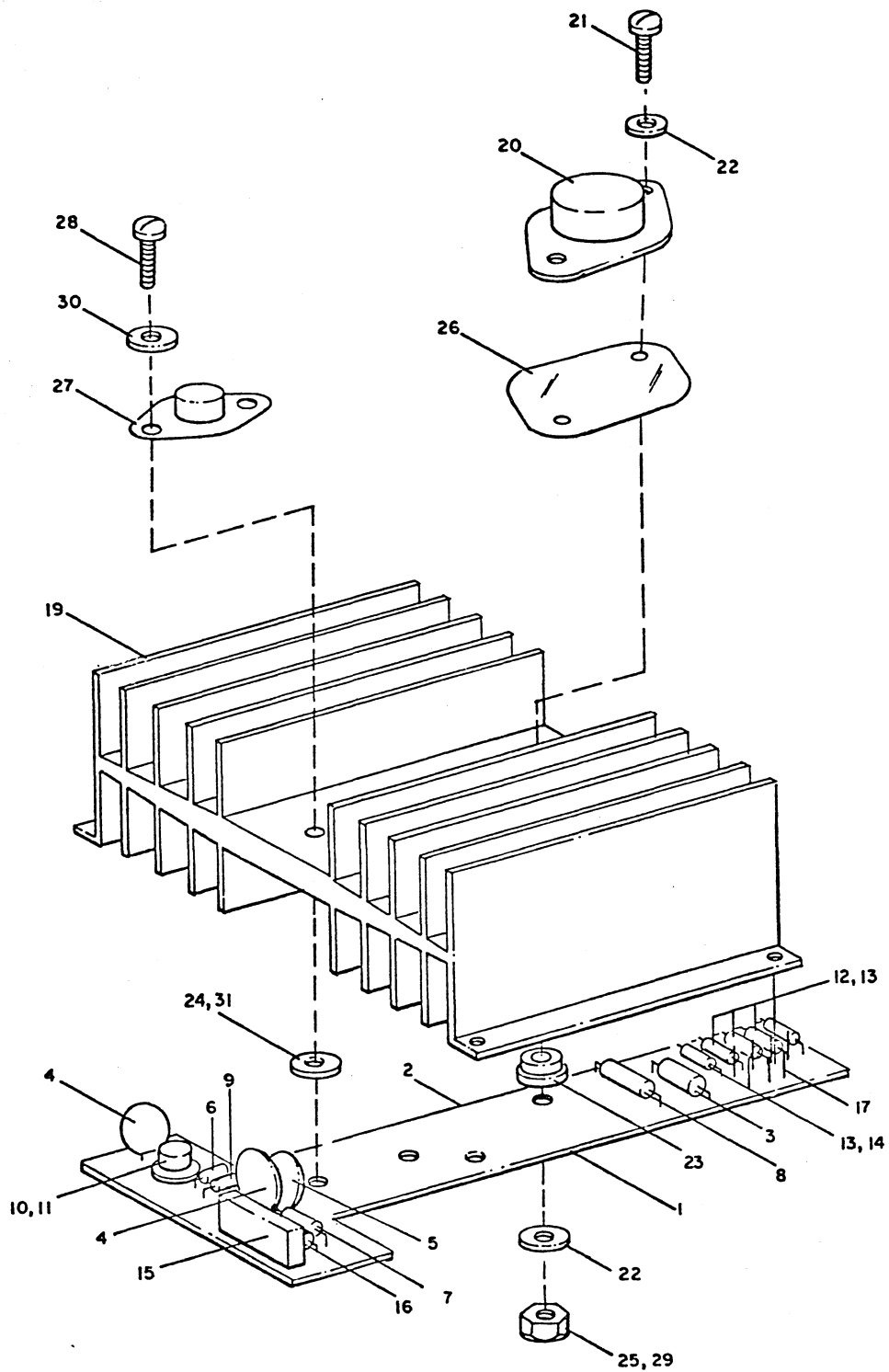
FIG. INDEX NO.	PART NUMBER	DESCRIPTION	UNITS PER ASSY	VENDOR PART NO.		
					1	2
-1	40033302	VACUUM PUMP ASSEMBLY, 115 VAC, 60 Hertz	1	KCPMPG-19OA 5KCP19PG222		
	40033306	VACUUM PUMP ASSEMBLY, 230 VAC, 50 Hertz	1			
	00000539	. MOTOR, 60 Hz, 3350 rpm, 115 VAC, 60 Hertz (03597)	1			
	00000540	. MOTOR, 50 Hz, 230 VAC, (03597) (Attaching Parts)	1			
-2	00000379	. . SCREW, Machine, Pan Head, 8 - 32 x 1/2	4			
-3	30055902	. BLOWER, 230 VAC, 50 Hertz	1	60-115626		
	90000541	. BLOWER, 115 VAC, 60 Hertz (75511) (Attaching Parts)	1			
-4	00000441	. . WASHER, Flat #1/4	3			
-5	00000855	. . SCREW, Cap, Hex Head, 1/4 - 20 x 5/8	3			
-6	30031801	. PLATE, Blower - 115 VAC, 60 Hertz	1			
	30076701	. PLATE, Blower - 230 VAC, 50 Hertz (Attaching Parts)	1			
-7	00000381	. . SCREW, Machine, Pan Head, 8 - 32 x 3/4	4			
-8	00000294	. . WASHER, Flat, No. 8 7/8 OD	8			
-9	00000505	. . MOUNT, Rubber (76005)	2	100PD2		
	00000291	. . MOUNT, Rubber (76005)	2	100PD4		
-10	10002004	. . STANDOFF	4			
-11	00000064	. . SCREW, Machine, Pan Head 4 - 40 x 3/8	8			
-12	00000062	. . NUT, Plain, Hex, No. 4 - 40	8			
-13	00000519	. BELT, 115 VAC, 60 Hertz (24161)	1	5 M 545		
	00000520	. BELT, 230 VAC, 50 Hertz (24161)	1	5 M 580		
-14	20076101	. PULLEY, 115 VAC, 60 Hertz	1			
	20076102	. PULLEY, 230 VAC, 50 Hertz (Attaching Parts)	1			
-15	00000591	. . SCREW, Set, Nyloc Cup Point STLN BLK, 1/4 - 20 x 3/8 (83014)	1			
-16	20023901	. ADAPTER ASSEMBLY, Vacuum, 115 VAC, 60 Hertz	1			
	20058602	. ADAPTER ASSEMBLY, Vacuum, 230 VAC, 50 Hertz (Attaching Parts)	1			
-17	00000407	. . CLAMP (76599)	1	H - 24		
-18	20037901	. GROUND STRAP ASSEMBLY (Attaching Parts)	1			
-19	00000296	. . SCREW, Pan Head, 6 - 32 x 3/8	1			
-20	00000445	. . WASHER, Lock, int. tooth, #6	1			
-21	00000301	. . NUT, Hex, 6 - 32	1			
-22	10002005	. STANDOFF (Attaching Parts)	2			
-23	00000293	. . SCREW, Cap, Socket Head, 8 - 32 x 1/2	2			
-24	00000294	. . WASHER, Flat #8	2			

M2

FIGURE D-10 VACUUM PUMP ASSEMBLY (CONT'D)

FIG. INDEX NO.	PART NUMBER	DESCRIPTION							UNITS PER ASSY	VENDOR PART NO.
		1	2	3	4	5	6	7		
-25	00000482	. STRIP, Grommet (06229)							1	G55
-26	00000058	. TIE, Cable (06383)							2	SSTIM
-27	00000059	. CABLE TIE, Mount (06383)							1	TA158
-28	00000525	. RECEPTACLE, Faston (2.50) (00779)							3	60414-1
-29	00000531	. LOCTITE, Grade C							A/R	
-30	00000085	. TUBING HEAD SHRINK, 1/4 x 1 1/4 (92194)							3	FIT - 105
-31	00000555	. ADHESIVE, Pliobond							A/R	

M2



M2

FIGURE D-11 POWER SUPPLY ASSEMBLY

FIGURE D-11 POWER SUPPLY ASSEMBLY

FIG. INDEX NO.	PART NUMBER	DESCRIPTION							UNITS PER ASSY	VENDOR PART NO.
		1	2	3	4	5	6	7		
	30029505	POWER SUPPLY ASSEMBLY								
-1	20032803	. PC BOARD ASSEMBLY							1	
-2	30032703	. . PC BOARD							1	
-3	00000844	. . CAPACITOR, 10.0 UF, 12 VDC \pm 10% (80183)							1	TE 1128
-4	00000190	. . CAPACITOR, .1 UF, 100 VDC \pm 10% (80183)							2	TG-P10
-5	00000195	. . CAPACITOR, .001 UF, 200 VDC (80183)							1	5HK-D10
-6	00000209	. . RESISTOR, Prec., 6.81K \pm 1% 1W							1	RN60D6911F
-7	00000069	. . RESISTOR, 100 ohm \pm 10% 1/4W							1	RCO7GF101K
-8	00000207	. . RESISTOR, 10 ohm \pm 1% 2W							1	RW79UR100F
-9	00000070	. . RESISTOR, 1K ohm \pm 10% 1/4W							1	RCO7GF102K
-10	00000140	. . TRANSISTOR, NPN (04713)							1	2N706
-11	00000107	. . PAD, Transistor mount (red) (13103)							1	7717-14S
-12	00000570	. . RESISTOR, (SAT) \pm 10% 1/4W range 33 to 100 ohm							4	RCO7GF
-13	00000460	. . SOCKET, Miniature Spring (00779)							10	3-331677-6
-14	00000570	. . RESISTOR, (SAT) \pm 10% 1/4W range 82 to 120 ohm							1	RCO7GF
-15	00000232	. . RESISTOR, Variable, 10K \pm 10% 1W							1	3009P-1-103
-16	00000238	. . RESISTOR, 7.5K, \pm 5% 1/2W							1	RC20GF752J
-17	00000671	. . CONTACT, Electrical (.025 sq. MODU) (00779)							7	86094-2
-18	00000463	. . TERMINAL, Ring Tongue (00779)							2	32939
-19	20029101	. . HEAT SINK							1	
-20	00000137	. . TRANSISTOR, NPN, Power (04713) (Attaching Parts)							1	2N3771
-21	00000568	. . . SCREW, Machine, Phillips Head 6 - 32 x 5/8 Nickle Brass Plate							2	
-22	00000445	. . . WASHER, Lock internal tooth #6							3	
-23	00000502	. . . WASHER, Shoulder, nylon (95987)							2	SW-6-NA
-24	00000491	. . . WASHER, Nylon (95987)							1	NW-6-312NA
-25	00000569	. . . NUT, Plain, Hex 6 - 32, Nickle Brass Plate							2	
-26	00000567	. . . WASHER, Insulating (13103)							1	43-03-04
-27	00000115	. . INTEGRATED CIRCUIT, Regulator (Attaching Parts)							1	MC 1469R
-28	00000568	. . . SCREW, Machine, Phillips Head, 6 - 32 x 5/8 Nickle Brass Plate							2	
-29	00000569	. . . NUT, Plain, Hex 6 - 32, Nickle Brass Plate							2	
-30	00000445	. . . WASHER, Lock internal tooth #6							4	
-31	00000491	. . . WASHER, Nylon (95987)							2	NW-6-3124NA
-32	00000108	. COMPOUND, Heatsink (13103)							A/R	

M2

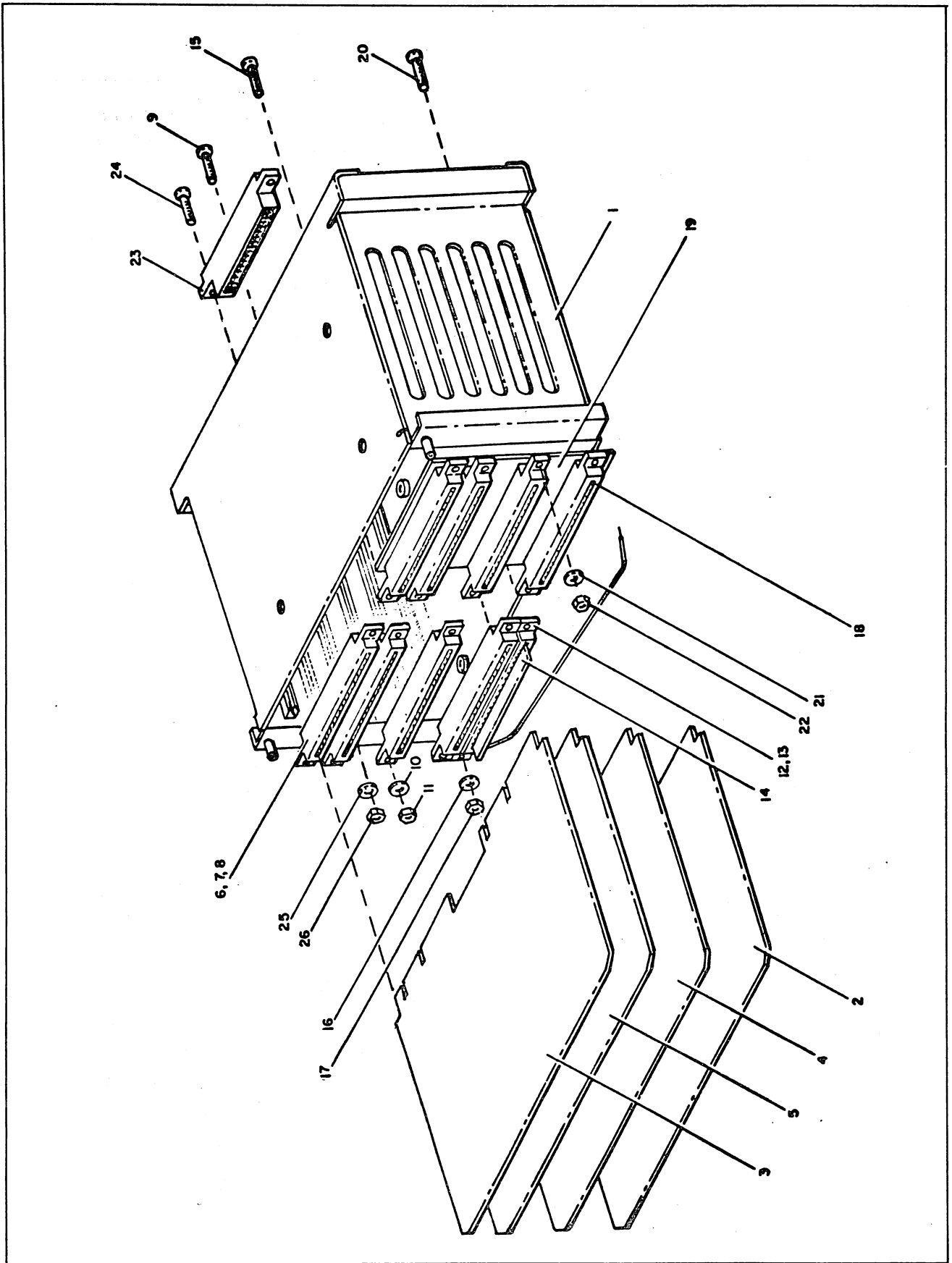


FIGURE D-12 CARD FILE ASSEMBLY

FIGURE D-12 CARD FILE ASSEMBLY

FIG. INDEX NO.	PART NUMBER	DESCRIPTION							UNITS PER ASSY	VENDOR PART NO.
		1	2	3	4	5	6	7		
	400553XX	CARD FILE ASSEMBLY								
-1	300294XX	. CARD CAGE W/GUIDES							1	
-2	40061901	. P. C. CARD ASSEMBLY, Control (PT)							1	
	40061905	. P. C. CARD ASSEMBLY, Control (PTRP)							1	
	40061907	. P. C. CARD ASSEMBLY, Control (GTRP)							1	
	40061910	. P. C. CARD ASSEMBLY, Control (PTOC)							1	
	40061902	. P. C. CARD ASSEMBLY, Control (GTOC)							1	
<hr/>										
-3	40035303	. P. C. CARD ASSEMBLY, Sync (SINGLE)							1	
<hr/>										
-4	40035501	. P. C. CARD ASSEMBLY, Clock (PT)							1	
	40076505	. P. C. CARD ASSEMBLY, Clock (PTRP)							1	
	40076503	. P. C. CARD ASSEMBLY, Clock (GTRP)							1	
	40066611	. P. C. CARD ASSEMBLY, Clock (PTOC)							1	
	40076502	. P. C. CARD ASSEMBLY, Clock (GTOC)							1	
<hr/>										
-5	40061001	. P. C. CARD ASSEMBLY, Error (PT)							1	
	40061003	. P. C. CARD ASSEMBLY, Error (PTRP)							1	
	40061007	. P. C. CARD ASSEMBLY, Error (GTRP)							1	
	40061011	. P. C. CARD ASSEMBLY, Error (PTOC)							1	
	40061002	. P. C. CARD ASSEMBLY, Error (GTOC)							1	
<hr/>										
-6	00000029	. CONN HOUSING, Crimp, Snap-in (00779)							4	1-582191-5
-7	00000030	. PLUG, Keying (00779)							16	582501-5
-8	00000061	. SPRING, Retaining (00779) (Attaching Parts)							20	42973-2
-9	00000064	. . SCREW, Machine, Pan Head, SSL 4 - 40 x 3/8							8	
-10	00000066	. . WASHER, Lock, Internal Tooth #4							8	
-11	00000062	. . NUT, Plain, Hex 4 - 40							8	
<hr/>										
-12	00000032	. CONNECTOR, Singe Row (00779)							1	583302-1
-13	00000702	. CONTACT, Connector (00779)							1	583259-2
-14	20036201	. BUS BAR, Connector (Attaching Parts)							1	
-15	00000064	. . SCREW, Machine, Pan Head, SSL 4 - 40 x 3/8							2	
-16	00000066	. . WASHER, Lock Internal Tooth #4							2	
-17	00000062	. . NUT, Plain, Hex, 4 - 40							2	
<hr/>										
-18	00000032	. CONNECTOR, Tab, Solder Loaded (00779)							4	58334-1
-19	40032401	. P. C. CARD, Mother Board (Attaching Parts)							1	
-20	00000063	. . SCREW, Machine, Pan Head, SSL 4 - 40 x 1/2							8	
-21	00000066	. . WASHER, Lock, Internal Tooth #4							8	
-22	00000062	. . NUT, Plain, Hex 4 - 40							8	
<hr/>										

FIGURE D-12 CARD FILE ASSEMBLY (CONT'D)

FIG. & INDEX NO.	PART NUMBER	DESCRIPTION							UNITS PER ASSY	VENDOR PART NO.
		1	2	3	4	5	6	7		
-23	30056001	.	CABLE ASSEMBLY, Interconnect (Attaching Parts)						1	
-24	00000064	.	SCREW, Machine Pan Head, SSL 4 - 40 x 3/8						2	
-25	00000066	.	WASHER, Lock, Internal Tooth #4						2	
-26	00000062	.	NUT, Plain, Hex. 4 - 40						2	
-27	00000017	.	WIRE, Elec., #20 AWG BRN 8" (92194)						1	1854/19
-28	200566XX	.	JUMPER WIRE ASSEMBLY						1	
-29	20063501	.	CABLE ASSEMBLY, D. C. Power							
-30	30056301	.	CABLE ASSEMBLY, Control Panel							
-31	30045301	.	CABLE ASSEMBLY, Data Output							
-32	40075501	.	WIRING DIAGRAM, 115 VAC, 50/60 Hertz							
	40081901	.	WIRING DIAGRAM, 230 VAC, 50 Hertz							

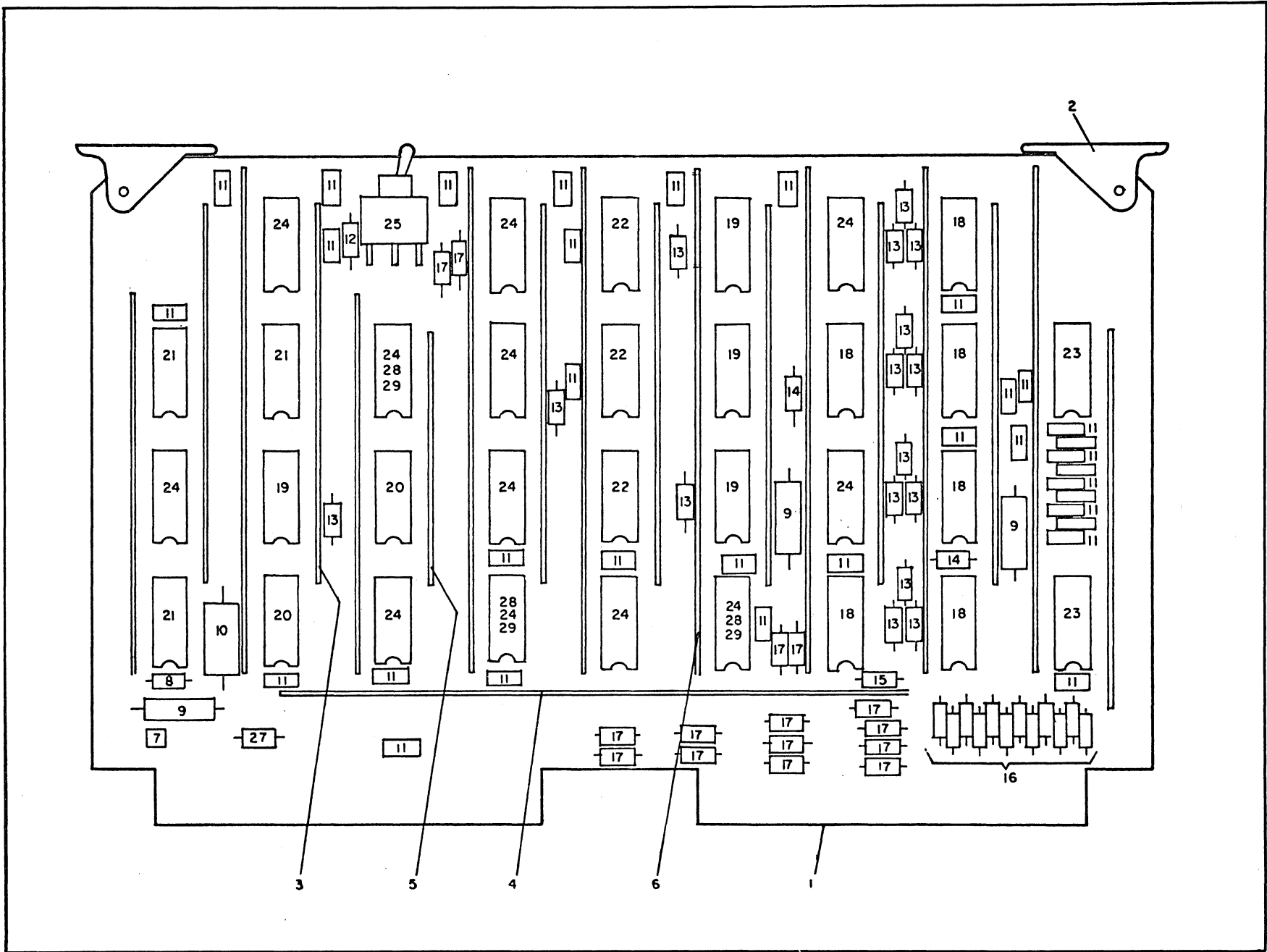


FIGURE D-13 P. C. ASSEMBLY - Control Card

FIGURE D-13 P.C. ASSEMBLY - Control Card

FIG. INDEX NO.	PART NUMBER	DESCRIPTION	UNITS/ASSY						VENDOR PART NO.	
			1	2	3	4	5	6		7
	REF	P.C. ASSEMBLY, Control Card								
-1	40064901	. PRINTED CIRCUIT BOARD	1			1	1	1	1	
-2	00000060	. HANDLE, Extractor with roll pin (18617)	2			2	2	2	1	S-203
-3	20031104	. BUS BAR, 4 Pin	10			10	10	10	10	
-4	20031106	. BUS BAR, 6 Pin	1			1	1	1	1	
-5	20031103	. BUS BAR, 3 Pin	1			1	1	1	1	
-6	20031105	. BUS BAR, 5 Pin	7			7	7	7	7	
-7	00000088	. BEAD, Ferrite (33062)	1			1	1	1	1	21-030-F
-8	00000039	. DIODE, Zener 6.8V (04713)	1			1	1	1	1	IN5235
-9	00000025	. CAPACITOR, Elec., 20 μ f, 6V (03597)	3			3	3	3	3	76F02CC200
-10	00000024	. CAPACITOR, Mylar, 0.1 μ f, 100V (03597)	1			1	1	1	1	BA12A104B
-11	00000023	. CAPACITOR, 0.01 μ f, 100V (80813)	34			34	34	34	34	T6-S10
-12	00000075	. RESISTOR, 300 ohm, \pm 10%, 1/4W	1			1	1	1	1	RC07GF331K
-13	00000070	. RESISTOR, 1K ohm, \pm 10%, 1/4W	16			16	16	16	16	RC07GF102K
-14	00000076	. RESISTOR, 470 ohm, \pm 10%, 1/4W	2			2	2	2	2	RC07GF471K
-15	00000069	. RESISTOR, 100 ohm, \pm 10%, 1/4W	1			1	1	1	1	RC07GF101K
-16	00000258	. RESISTOR, 560 ohm, \pm 5%, 1/4W	12			12	12	12	12	RC07GF561J
-17	00000080	. RESISTOR, 5.6K, \pm 10%, 1/4W	2			15	15	2	2	RC07GF562K
-18	00000049	. INTEGRATED CIRCUIT, Hex Inverter (18324)	6			6	6	6	6	N7405A
-19	00000043	. INTEGRATED CIRCUIT, Quad 2 input DTL gate (07236)	4			4	4	4	4	U6A994659X
-20	00000046	. INTEGRATED CIRCUIT, 2 input (18324)	2			2	2	2	2	N7400A
-21	00000044	. INTEGRATED CIRCUIT, Dual D Flip-Flop (18324)	3			3	3	3	3	N7474A
-22	00000054	. INTEGRATED CIRCUIT, 4 Bit Counter (18324)	3			3	3	3	3	N8281ADC
-23	00000057	. INTEGRATED CIRCUIT, Low Pwr. Hex Inv. (Fairchild)	2			2	2	2	2	U6AL0459X
-24	00000050	. INTEGRATED CIRCUIT, Hex Inverter (18324)	12			9	8	9	8	N7404A
-25	00000083	. SWITCH, SPDT PC Mount (09353)	1			1	1	1	1	7101A
-26	00000020	. WIRE, Bus 18 AWG 11/16"	1			1	1	1	1	
-27	00000198	. JUMPER, 0 ohm Resistor (Speer)	1			1	1	1	1	Res. Jumper 0" ohm
-28	00000124	. INTEGRATED CIRCUIT, Hex Buffer Non Inv. (18324)	-			-	4	-	4	N7417A
-29	00000123	. INTEGRATED CIRCUIT, Hex Inverter (18324)	-			3	-	3	-	N7416A
-30	40065001	. SCHEMATIC	1			1	1	1	1	

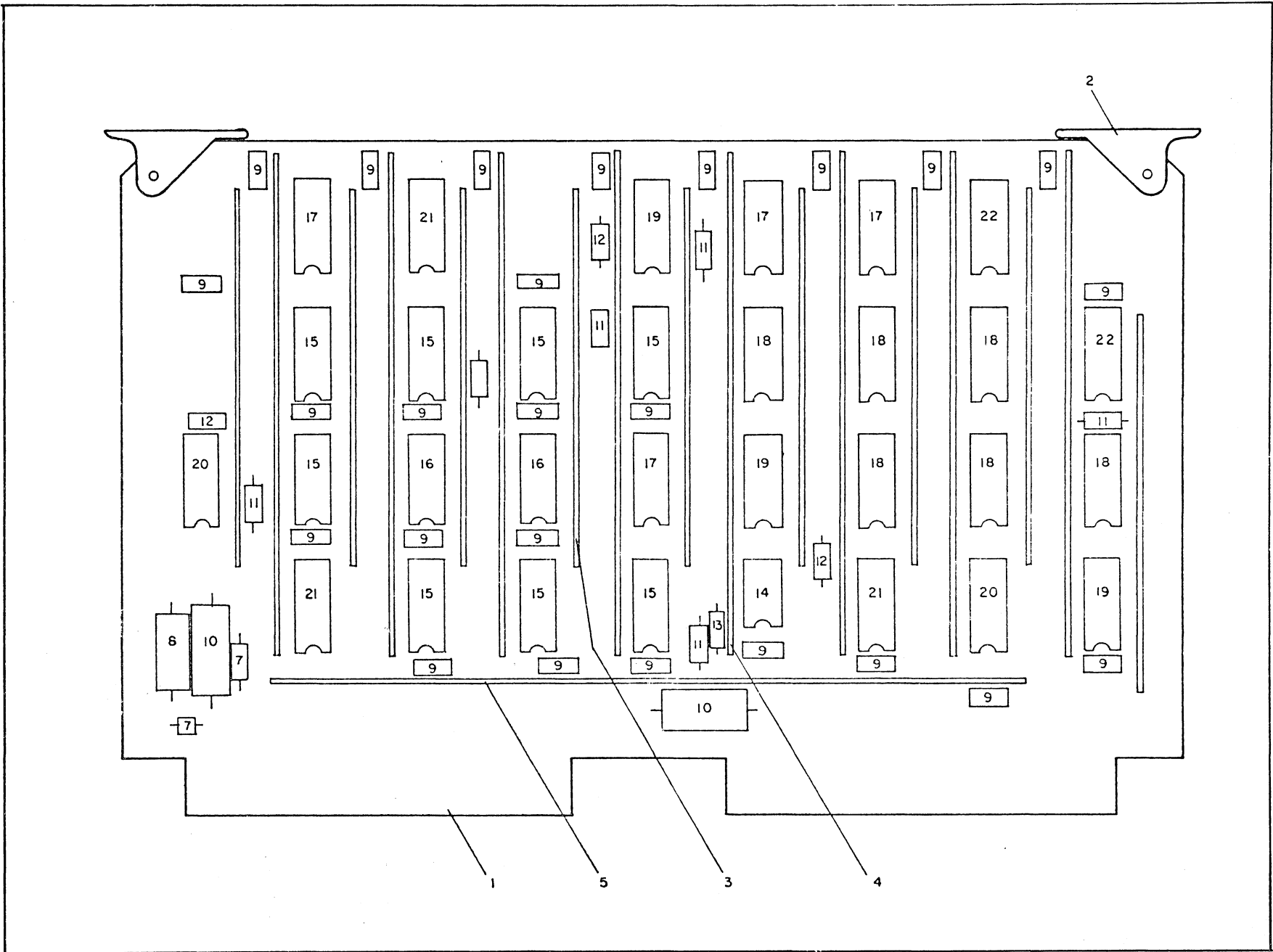


FIGURE D-14 P. C. ASSEMBLY - Sync Card

FIGURE D-14 P. C. ASSEMBLY - Sync Card

FIG. INDEX NO.	PART NUMBER	DESCRIPTION							UNITS PER ASSY	VENDOR PART NO.
		1	2	3	4	5	6	7		
	40035303	P. C. ASSEMBLY - Sync Card								
-1	40060001	. PRINTED CIRCUIT BOARD							1	
-2	00000060	. HANDLE, Extractor with Roll Pin (18617)							2	S-203
-3	20031104	. BUS BAR, 4 Pin							9	
-4	20031105	. BUS BAR, 5 Pin							8	
-5	20031107	. BUS BAR, 7 Pin							1	
-6	00000088	. BEAD, Ferrite (33062)							1	21-030-F
-7	00000039	. DIODE, Zener 6.8V (04713)							1	1N5235
-8	00000025	. CAPACITOR, Electrolytic, 20 μ f, 6V (03597)							1	76F02CC200
-9	00000023	. CAPACITOR, .01 μ f, 50V (56289)							25	TG-S10
-10	00000024	. CAPACITOR, Mylar, .1 μ f (03597)							2	BA12A104B
-11	00000070	. RESISTOR, 1K ohm, \pm 10% 1/4W							6	RC07GF102K
-12	00000076	. RESISTOR, 470 ohm, \pm 10%, 1/4W							3	RC07GF471K
-13	00000072	. RESISTOR, 220 ohm, \pm 10%, 1/4W							1	RC07GF221K
-14	00000042	. INTEGRATED CIRCUIT, Hybrid Driver (07886)							1	H6F22009XX
-15	00000054	. INTEGRATED CIRCUIT, Counter Register (18324)							8	N8281ADC
-16	00000055	. INTEGRATEE CIRCUIT, 4 Bit Comparator O. C. (18324)							2	N8242A
-17	00000047	. INTEGRATED CIRCUIT, Single 8 Input Gate (18324)							4	N7430A
-18	00000044	. INTEGRATED CIRCUIT, Dual D Flip-Flop (18324)							6	N7474A
-19	00000045	. INTEGRATED CIRCUIT, Dual 4 Input Buff (18324)							3	N7440A
-20	00000046	. INTEGRATED CIRCUIT, Quad 2 Input Gate (18324)							2	N7400A
-21	00000050	. INTEGRATED CIRCUIT, Hex Inverter (18324)							3	N7404A
-22	00000053	. INTEGRATED CIRCUIT, Counter Register (18324)							2	N8280ADC
-23	00000020	. WIRE, Bus #AWG 18, 11/16							1	
-24	40094301	. SCHEMATIC								
-25	10167801	. WIRE LIST								

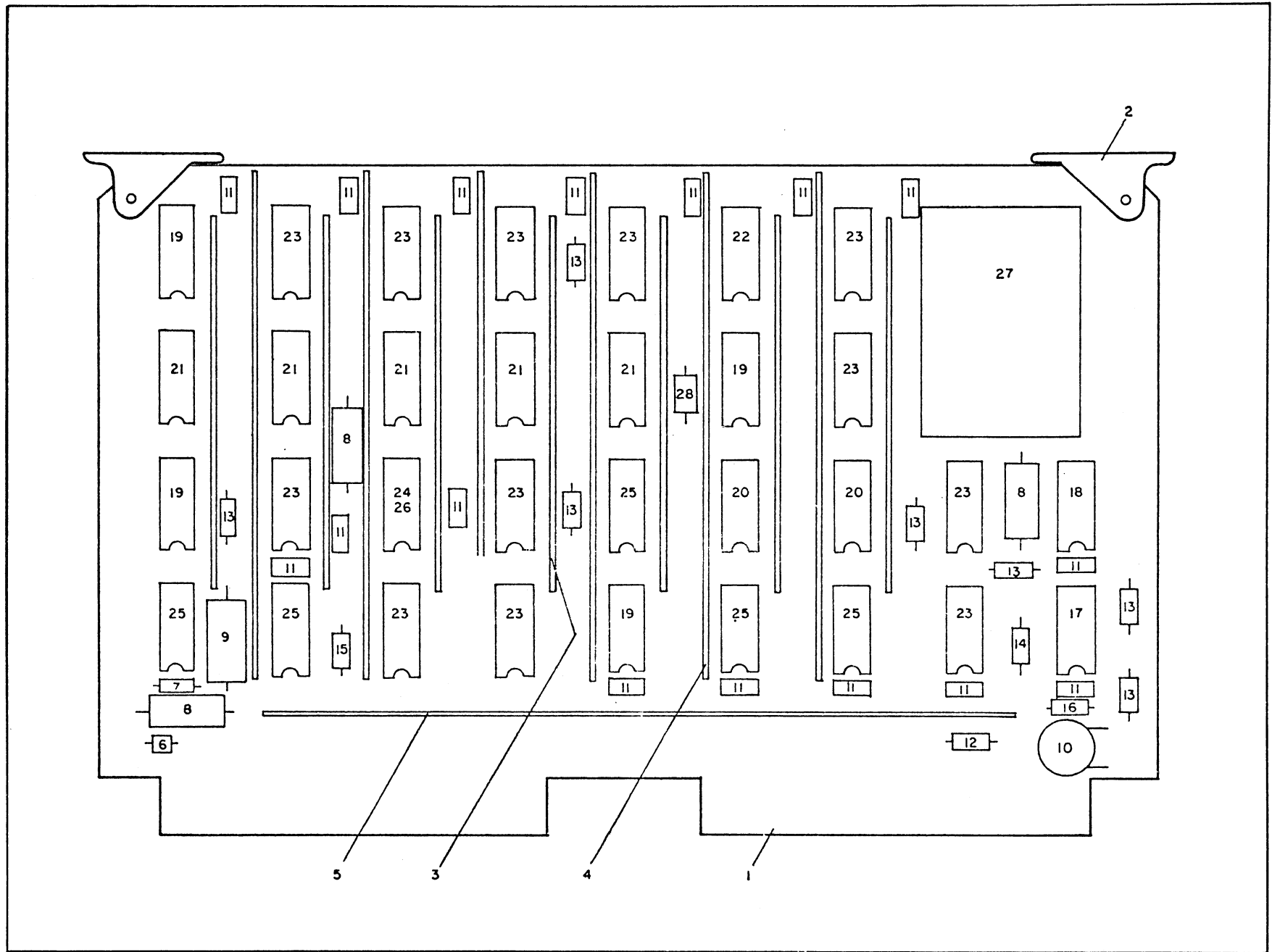


FIGURE D-15 P. C. ASSEMBLY - Clock Card

FIGURE D-15 P. C. ASSEMBLY - Clock Card

FIG. INDEX NO.	PART NUMBER	DESCRIPTION	UNITS/ASSY						VENDOR PART NO.	
			1	2	3	4	5	6		7
	REF	P. C. ASSEMBLY, Clock Card								
-1	40079901	. PRINTED CIRCUIT BOARD	-			1	1	-	1	
	40032201	. PRINTED CIRCUIT BOARD	1			-	-	-	-	
	40062601	. PRINTED CIRCUIT BOARD	-			-	-	-	1	
-2	00000060	. HANDLE, Extractor with Roll Pins (18617)	2			2	2	2	2	S-203
-3	20031104	. BUS BAR, 4 Pin	8			8	8	8	8	
-4	20031105	. BUS BAR, 5 Pin	5			5	5	5	5	
-5	20031107	. BUS BAR, 7 Pin	1			1	1	1	1	
-6	00000088	. BEAD, Ferritte	1			1	1	1	1	21-030-F
-7	00000039	. DIODE, Zener 6.8V (04713)	1			1	1	1	1	IN5235
-8	00000025	. CAPACITOR, Electrolytic, 20 μ f, 6V (03597)	1			3	3	-	3	76F02CC200
-9	00000024	. CAPACITOR, Mylar, .1 μ f, 100V (03597)	1			1	1	1	1	BA12A104B
-10	00000022	. CAPACITOR, .02 μ f, 100V (56289)	1			1	1	1	1	TG-S20
-11	00000023	. CAPACITOR, .01 μ f, 100V (56289)	16			16	16	16	16	TG-S10
-12	00000077	. RESISTOR, 4.7K \pm 10%, 1/4W	1			1	1	1	1	RC07GF472K
-13	00000070	. RESISTOR, 1K \pm 10%, 1/4W	1			7	7	6	7	RC07GF102K
-14	00000073	. RESISTOR, 2.2K \pm 10%, 1/4W	1			1	1	1	1	RC07GF222K
-15	00000080	. RESISTOR, 5.6K \pm 10%, 1/4W	-			1	1	-	-	RC07GF562K
-16	00000225	. RESISTOR, 100K \pm 10%, 1/4W	-			1	1	-	1	RC07GF104K
-17	00000056	. INTEGRATED CIRCUIT, Comparator (07886)	1			1	1	1	1	LM311D
-18	00000053	. INTEGRATED CIRCUIT, Counter Register (18324)	1			1	1	1	1	N8280ADC
-19	00000046	. INTEGRATED CIRCUIT, Quad 2 input gate (18324)	4			4	4	4	4	N7400A
-20	00000048	. INTEGRATED CIRCUIT, Single 3 input gate (18324)	2			2	2	2	2	N7410A
-21	00000047	. INTEGRATED CIRCUIT, Single 8 input gate (18324)	5			5	5	5	5	N7430A
-22	00000045	. INTEGRATED CIRCUIT, Dual 4 input gate (18324)	1			1	1	1	1	N7440A
-23	00000044	. INTEGRATED CIRCUIT, Dual D Flip Flop (18324)	12			12	12	12	12	N7474A
-24	00000123	. INTEGRATED CIRCUIT, Hex Buff, Inv. O. C. (18324)	-			1	-	-	-	N7416A
-25	00000050	. INTEGRATED CIRCUIT, Hex Inverter (18324)	5			5	5	5	5	N7404A
-26	00000124	. INTEGRATED CIRCUIT, Hex Buff, Non Inv. O. C.	-			-	1	1	1	N7417A
-27	00000067	. OSCILLATOR, Crystal 4.8 MHz (04713)	1			1	1	1	1	K1035A00710
-28	00000198	. RESISTOR, 0 ohm Jumper (Speer)	-			1	1	-	1	
-29	00000020	. WIRE, Bus AWG #18 11/16	1			1	1	1	1	
-30	40080001	. SCHEMATIC	-			1	1	-	1	
	40030801	. SCHEMATIC	1			-	-	-	-	
	40062701	. SCHEMATIC	-			-	-	1	-	

FIGURE D-16 P. C. ASSEMBLY - Error Card

FIG. INDEX NO.	PART NUMBER	DESCRIPTION	UNITS/ASSY						VENDOR PART NO.
			PT	GT	PTRP	GTRP	PTOC	GTOC	
	REF	P. C. ASSEMBLY - Error Card							
-1	40081001	. PRINTED CIRCUIT BOARD	1		1	1	1	1	
-2	00000060	. HANDLE, Extractor with Roll Pin (18617)	2		2	2	2	2	S-203
-3	20031105	. BUS BAR, 5 Pin	6		6	6	6	6	
-4	20031104	. BUS BAR, 4 Pin	8		8	8	8	8	
-5	20031107	. BUS BAR, 7 Pin	1		1	1	1	1	
-6	00000088	. BEAD, Ferrite (33062)	1		1	1	1	1	21-030-F
-7	00000039	. DIODE, Zener 6.8V (04713)	1		1	1	1	1	IN5235
-8	00000041	. DIODE, Signal	2		2	2	2	2	IN914
-9	00000040	. DIODE	1		1	1	1	1	IN4003
-10	00000025	. CAPACITOR, Electrolytic, 20 μ f, 6V (03597)	1		1	1	1	1	76F02CC200
-11	00000024	. CAPACITOR, 0.1 μ f, 100V (03597)	1		1	1	1	1	BA12A104B
-12	00000026	. CAPACITOR, 400 μ f, 6V (03597)	1		1	1	1	1	76F02CM401
-13	00000027	. CAPACITOR, 30 μ f, 12V (03597)	1		1	1	1	1	76F02ED300
-14	00000021	. CAPACITOR, .22 μ f, 25V (56289)	4		4	4	4	4	2C023224X0250A3
-15	00000023	. CAPACITOR, .01 μ f, 100V (56289)	19		19	19	19	19	TG-S10
-16	00000081	. RESISTOR, 68 ohm, \pm 10%, 1/2W	6		6	6	6	6	RC20GF680K
-17	00000071	. RESISTOR, 10K ohm, \pm 10%, 1/4W	1		1	1	1	1	RC07GF103K
-18	00000068	. RESISTOR, 10 ohm, \pm 10%, 1/4W	1		1	1	1	1	RC07GF100K
-19	00000076	. RESISTOR, 470 ohm, \pm 10%, 1/4W	1		1	1	1	1	RC07GF471K
-20	00000078	. RESISTOR, 1K ohm, \pm 5%, 1/4W	1		1	1	1	1	RC07GF561J
-21	00000070	. RESISTOR, 1K ohm, \pm 10%, 1/4W	8		8	8	8	8	RC07GF102K
-22	00000074	. RESISTOR, 27K ohm, \pm 10%, 1/4W	1		1	1	1	1	RC07GF273K
-23	00000080	. RESISTOR, 5.6K ohm, \pm 10%, 1/4W	-		4	4	-	-	RC07GF562K
-24	20031103	. BUS BAR, 3 Pin	2		2	2	2	2	
-25	00000051	. INTEGRATED CIRCUIT, Dual Driver (01295)	4		4	4	4	4	SN75450N
-26	00000044	. INTEGRATED CIRCUIT, Dual D Flip Flop (18324)	5		5	5	5	5	N7474A
-27	00000046	. INTEGRATED CIRCUIT, Quad 2 input gate (18324)	5		5	5	5	5	N7400A
-28	00000047	. INTEGRATED CIRCUIT, Single 8 input gate (18324)	1		1	1	1	1	N7430A
-29	00000050	. INTEGRATED CIRCUIT, Hex Inverter (18324)	6		5	5	5	5	N7404A
-30	00000048	. INTEGRATED CIRCUIT, Triple 3 input gate (18324)	1		1	1	1	1	N7410A
-31	00000052	. INTEGRATED CIRCUIT, Delay Element (07263)	1		1	1	1	1	U6A960159X
-32	0000042	. INTEGRATED CIRCUIT, Quad 2 input DTL gate (07263)	1		1	1	1	1	U6A994659X
-33	00000123	. INTEGRATED CIRCUIT, Hex Buff Inv. O. C. (18324)	-		1	-	1	-	N7416A
-34	00000124	. INTEGRATED CIRCUIT, Hex Buff, Non. Inv. O. C. (18324)	-		-	1	1	1	N7417A
-35	00000083	. SWITCH, SPDT, P. C. Mount (09353)	1		1	1	1	1	7101A
-36	00000082	. SWITCH, SPDT, Push, P. C. Mount (09353)	1		1	1	1	1	P8121R
-37	00000198	. JUMPER, 0 ohm, Resistor (Speer)	1		1	1	1	1	Res-Jumper 0 ohm
-38	00000020	. WIRE, Bus #AWG 18, 11/16	1		1	1	1	1	
-39	40081401	. SCHEMATIC							

RECOMMENDED FIELD SPARES
FOR
M200 CARD READER

PREPARED FOR
DIGITAL EQUIPMENT CORPORATION

UNDER CS 23
CS 36
CS 51



PART NUMBER	VENDOR PART NUMBER	DESCRIPTION	MANUFACTURER	QTY.
00000429	SFR188TTK25LG1	BEARING,SEALED BALL (SEE SHAFT ASSY)	KUMBAR	8
00000282	130XL025	BELT, TIMING, NPRN-DRIVE	DICK	1
00000520	5M580	BELT, TIMING, PEU-BLOWER, 50HZ	GATES	1
00000519	5M545	BELT, TIMING, PEU-BLOWER, 60HZ	GATES	1
30055901	113055901	BLOWER, MOD, 60HZ	DOCUMATION	1
30055902	113055902	BLOWER, MOD, 50HZ	DOCUMATION	1
20139101	20139101	CABLE ASSY, DRIVE MOTOR 115V	DOCUMATION	1
20139102	20139102	CABLE ASSY, DRIVE MOTOR 230V	DOCUMATION	1
00000200	86F119M	CAPACITOR, ALUMINUM 4600UF 15VDCW	GE	1
00000880	45F276	CAPACITOR,PAPER/OIL 10UF 10% 370VAC	GE	1
00000202	45F279	CAPACITOR,PAPER/OIL 17.5UF 370VAC 60HZ	GE	1
00000511	45F270	CAPACITOR,PAPER/OIL 2UF 370VAC 50HZ	GE	1
00000205	45F271	CAPACITOR,PAPER/OIL 3UF 370VAC 60HZ	GE	1
20005901	102005901	CAPSTAN, DRIVE	DOCUMATION	4
00000188	UPG1-1-6-2-802	CIRCUIT BREAKER, 8A 50/60HZ 250V	AIRPAX	1
00000032	583302-1	CONNECTOR,ELEC, 18 CONT, SINGLE ROW	AMP	1
00000033	583334-1	CONNECTOR ELEC, 18 DUAL POS	AMP	4
00000029	1-582191-5	CONNECTOR,HOUSING, ELEC 18DUAL POS	AMP	4
00000031	583300-1	CONNECTOR, HOUSING, ELEC, 12 CONT	AMP	1
00000028	008016038000707	CONNECTOR, OUTPUT /J2/	ELCO	1
00000523	60-8017-0513	CONTACT, CONNECTOR, SOLDER	ELCO	100
00000510	1841-1-5616	CONTACT, JUNCTION, NO 16	DEUTSCH	100
00000516	42840-4	CONTACT, LEAF, 18-21AWG	AMP	100
00000036	42839-4	CONTACT, LEAF, 22-26AWG	AMP	100
00000037	583261-1	CONTACT, MODIFIED FORK	AMP	100
10010501	101010501	COUPLING, SOLENOID(INCL WITH SOL ASSY)	DOCUMATION	1
00000143	MDA980-2	DIODE BRIDGE, 100V	MOTOROLA	2
20125801	20022301	DISC ASSY, TIMING	DOCUMATION	1
30045801	113045801	DRIVER ASSY, SOLENOID	DOCUMATION	1
20098301	132098301	FAN ASSY, 230V/50HZ	DOCUMATION	1
00000325	4600	FAN, COOLING, 117V 50/60HZ	PAMOTOR	1
00000311	10B1	FILTER,RFI, 50-400HZ 10A 115/230VAC	COMP CORP	1
00000147	313001	FUSE, 1A, SLO/BLO 3AG	LITTLE FUSE	5

PART NUMBER	VENDOR PART NUMBER	DESCRIPTION	MANUFACTURER	QTY.
00000323	5503	GRILL, FAN, METAL SCREEN	PAMOTOR	1
00000318	381	LAMP, INCAND 6V .20A T-1 3/4	GEN ILLUM	7
00000508	124048-001	LUBRICANT NO 2	LEDEX	1
10139401	10139401	MATING CONNECTOR KIT	DOCUMATION	1
00001091	SP1	MOTOR ASSY, BLOWER, 2850RPM 230V/50HZ	DOCUMATION	1
00001092	SP2	MOTOR ASSY, BLOWER, 2850RPM 115V/50HZ	DOCUMATION	1
00001093	SP3	MOTOR ASSY, BLOWER, 3350RPM 115V/60HZ	DOCUMATION	1
00001094	SP4	MOTOR ASSY, 115/230V 50/60HZ (1000/1200RPM) AFTER S/N 7209000	DOCUMATION	1
00001095	SP5	MOTOR SP ASSY, DRIVE, 1000RPM 230V/50HZ	DOCUMATION	1
00001096	SP6	MOTOR SP ASSY, DRIVE, 1000RPM 115V/50HZ	DOCUMATION	1
00001097	SP7	MOTOR SP ASSY, DRIVE, 1200RPM 115V/60HZ	DOCUMATION	1
00000291	100PD4	MOUNT, SHOCK, RBR	LORD	1
00000505	100PD2	MOUNT, SHOCK, RBR	LORD	2
00000413	DPA7164B	PANEL ASSY, CONTROL	TEC	1
40076505	40076505	PC ASSY CLOCK CARD (PTRP)	DOCUMATION	1
40061905	40061905	PC ASSY CONTROL CARD (PTRP)	DOCUMATION	1
40061003	40061003	PC ASSY ERROR CARD (PTRP)	DOCUMATION	1
	(CS23)			
40076503	40076503	PC ASSY CLOCK CARD (GTRP)	DOCUMATION	1
40084501	40084501	PC ASSY CONTROL CARD (GTRP)	DOCUMATION	1
40082201	40082201	PC ASSY ERROR CARD (GTRP)	DOCUMATION	1
40035303	40035303	PC ASSY SYNC CARD M-200	DOCUMATION	1
30099501	10309501	PC BOARD ASSY, EXTENDER CARD	DOCUMATION	1
00000544	SS1443	PHOTOTRANSISTOR, STACK SENSOR	SPECTRONICS	1
00000447	1-0194/086-2110019	PICKUP, MAGNETIC, UNTERMINATED	AIRPAX	1
20014801	102014801	POWER CORD ASSY, 9 FT	DOCUMATION	1
30029505	103029505	POWER SUPPLY ASSY, 5V	DOCUMATION	1
20076101	102076101	PULLEY ASSY, BLOWER DRIVE /60HZ/	DOCUMATION	1
20076102	102076102	PULLEY ASSY, BLOWER DRIVE /50HZ/	DOCUMATION	1
20127005	16XL037	PULLEY, DRIVE T BELT NYL 16GRV	DOCUMATION	1
20127001	112044801	PULLEY, DRIVE MOTOR, 11GRV, 60HZ	DOCUMATION	1
10158901	10158901	READ & LIGHT STATION ASSY MATCHED	DOCUMATION	1

PART NUMBER	VENDOR PART NUMBER	DESCRIPTION	MANUFACTURER	QTY.
00000901	GB2400-2505-403	RELAY, AC 25A 120-240VAC 50/60HZ	G. BART	1
00000467	5100-25	RING, RETAINING, EXTERNAL 1-41N	WALDES	4
00000663	84-21	SEALANT, GRADE C 10CC BLU	LOCTITE	1
30003701	103003701	SECTOR ASSY, PICKER	DOCUMATION	1
00000870	MFG-0030	SHAFT ASSY (SHAFT MATCHED WITH 00000429 BEARING)		1
00000872	MFG-0032	SHAFT ASSY (SHAFT MATCHED WITH 00000429 BEARING)		2
20101401	102101401	SHAFT ASSY, PICKER	DOCUMATION	1
10002201	101002201	SHAFT, DRIVE ROLLER	DOCUMATION	1
20049801	112049801	SOLENOID ASSY	DOCUMATION	1
00000431	SS2-27	SPACER, SHAFT, .004	W. BERG	4
00000432	SS2-28	SPACER, SHAFT, .006	W. BERG	4
00000433	SS2-30	SPACER, SHAFT, .016	W. BERG	6
00000435	SV1	SPRING, BEARING PRELOAD	W. BERG	4
00000285	LEO26C2MW	SPRING, SOLENOID	LEE	1
00000485	LEO41E6MW	SPRING, STACKER	LEE	1
20041603	112041603	SUPPORT ASSY, STACKER BEARING	DOCUMATION	1
20027701	102027701	SWITCH ASSY, HOPPER EMPTY	DOCUMATION	1
00000313	E21-85HX	SWITCH, STACKER FULL	CHERY	1
00000058	SST1M	TIE, CABLE	PANDUIT	40
00000090	SST4S	TIE, CABLE	PANDUIT	10
00000688	91022-1	TOOL AMP EXTRACTION	AMP	1
00000571	465195-2	TOOL, CONTACT EXTRACTION, LEAF	AMP	1
00000487	M15570-16	TOOL, CONTACT INSERT/EXTRACT	DEUTSCH	1
00000675	ELCO 061877-04	TOOL ELCO EXT.	ELCO	1
00000674	ELCO 061742-04	TOOL ELCO INSERT	ELCO	1
00000469	91037-2	TOOL MOD FORK CONTACT EXT.	AMP	1
00000676	91029-1A	TOOL MOD IV CONTACT EXT.	AMP	1
20015602	102015602	TRANSFORMER ASSY, 12V-115V	DOCUMATION	1

M2

PART NUMBER	VENDOR PART NUMBER	DESCRIPTION	MANU- FACTURER	QTY.
20073902	20073902	TRANSFORMER ASSY, 12V-230V	DOCUMATION	1
20015502	102015502	TRANSFORMER ASSY, 24V-115V	DOCUMATION	1
20074001	20074001	TRANSFORMER ASSY, 24V-230V	DOCUMATION	1
00000134	P6377	TRANSFORMER, 50/60HZ 115/230V	STANCOR	1